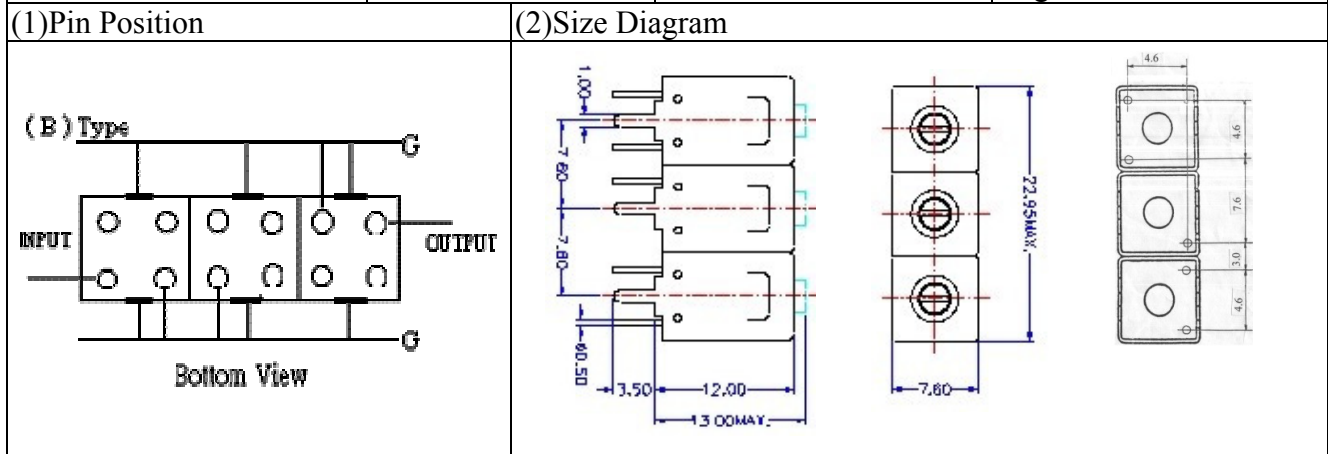
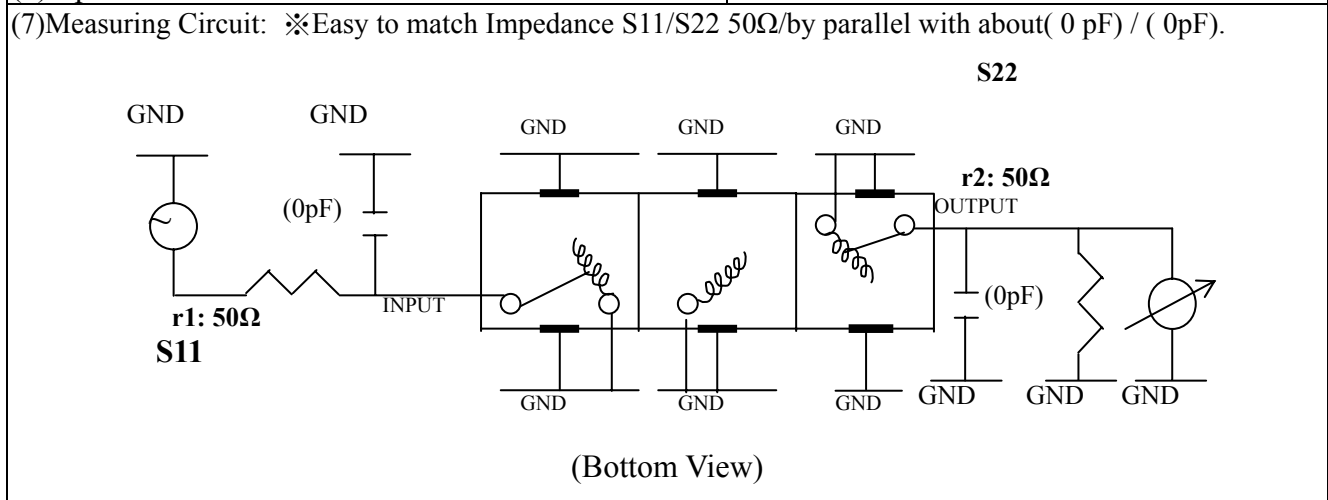


VHF UHF Helical Filter Specification Sheet

Customer Name		Temwell's Part No.	TT67412B-458M
Approval No. /dated		Temwell's print name	67412B 458M
Work Instruction No.	0607052C	Date	Aug.03.2006



(3) Electric Character	
Item	Specify
Center Freq.(Fo) +/- 0.5 %	458 MHz
Insertion Loss	Typ. 3.0 dB
-3 dB Bandwidth	Typ. 55 MHz
Sensitivity (Attenuation)	Fo - 100 MHz Typ. 33 dBc
	Fo + 100 MHz Typ. 23 dBc
	Fo - ()MHz Typ. dBc
	Fo +()MHz Typ. dBc
Return Loss	Min. 12 dB
Ripple	< 1 dB
Impedance	In / Out : 50 Ω
(4) Torque for Tuning Screw	> 60gf • cm
(5) Temperature Condition:	
Operating Temperature	-30°C ~ +70°C
Storage Temperature	-30°C ~ +80°C
(6) Input Power	> 1Watt



Approval C.Y.Chang	Supervisor C.S.Chang	Designer W.W.Wang	Aperture size 7H3(4*8.0)F
-----------------------	-------------------------	----------------------	------------------------------

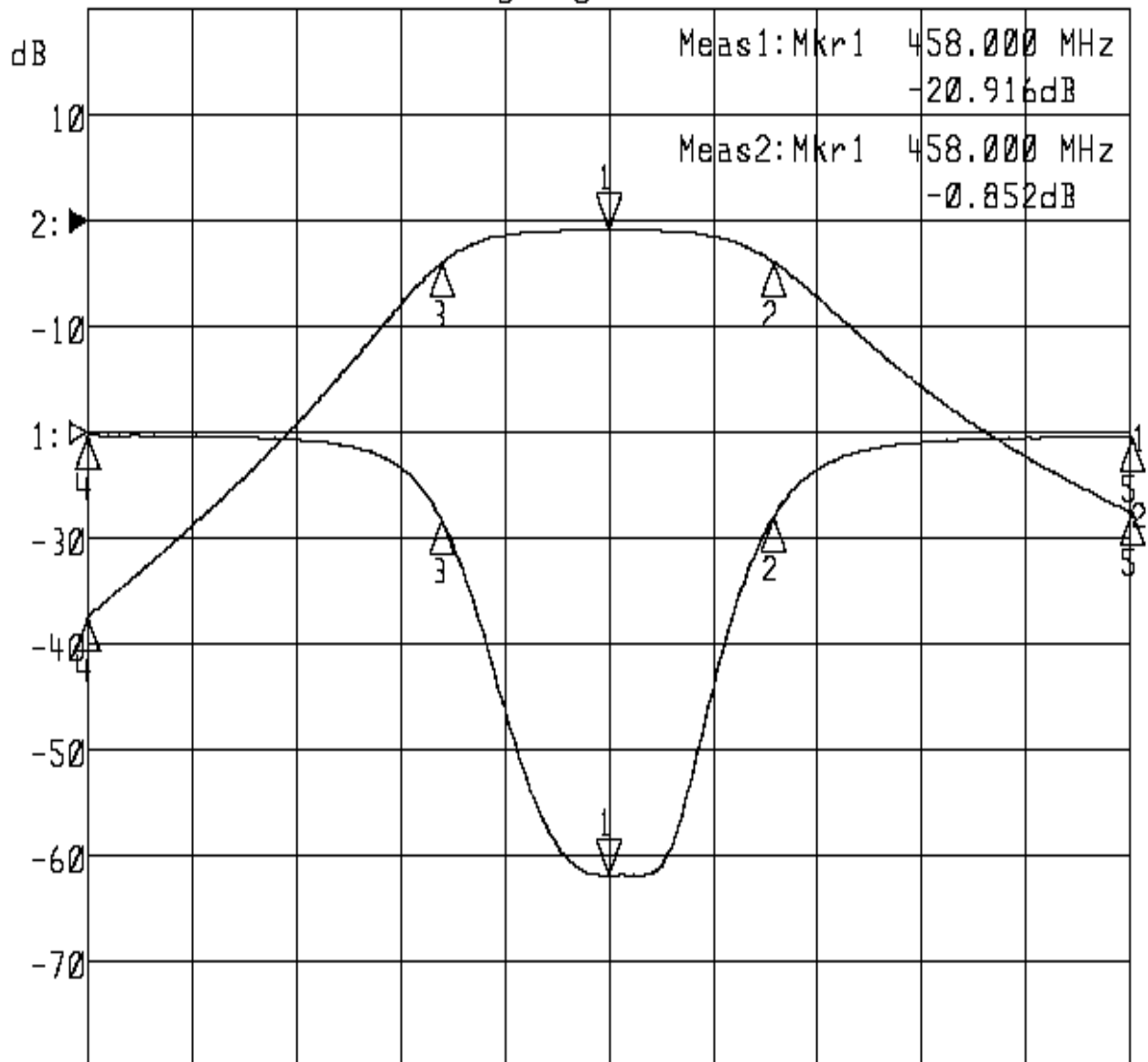
TEMWELL CORPORATION

Performance-TT67412B-458M

0607052C

▶1:S11 Refl Port1 Log Mag 5.0 dB/ Ref 0.00 dB C

▶2:S21 Fwd Trans Log Mag 10.0 dB/ Ref 0.00 dB C



Center 458.000 MHz

Span 200.000 MHz

1:Mkr (MHz)	dB	2:Mkr (MHz)	dB
1> 458.0000	-20.916	1> 458.0000	-0.852
2: 489.7333	-3.942	2: 489.7333	-3.901
3: 426.1333	-4.175	3: 426.1333	-3.882
4: 358.0000	-0.140	4: 358.0000	-37.501
5: 558.0000	-0.224	5: 558.0000	-27.553