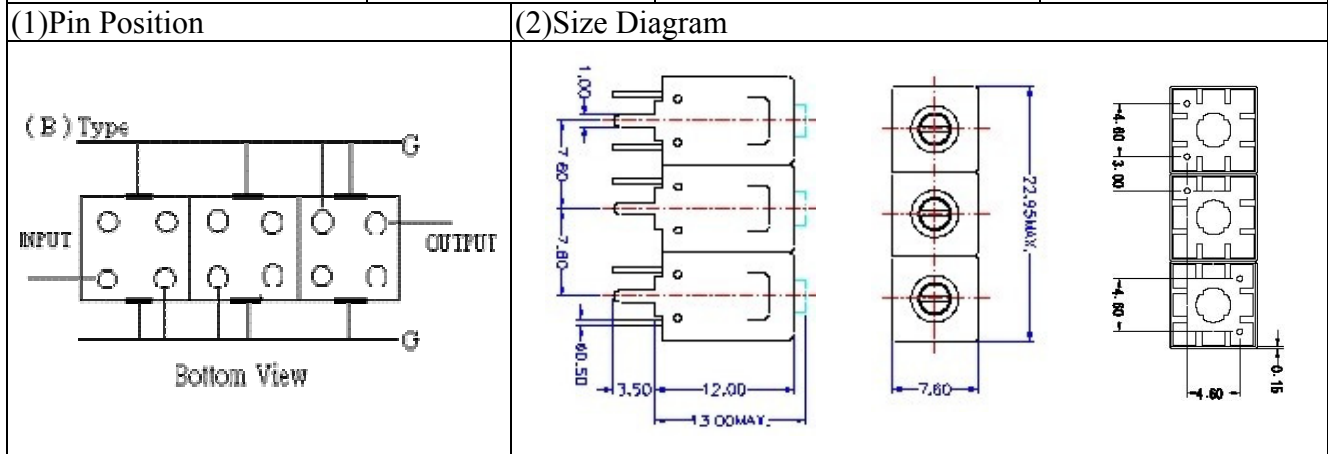


# VHF UHF Helical Filter Specification Sheet

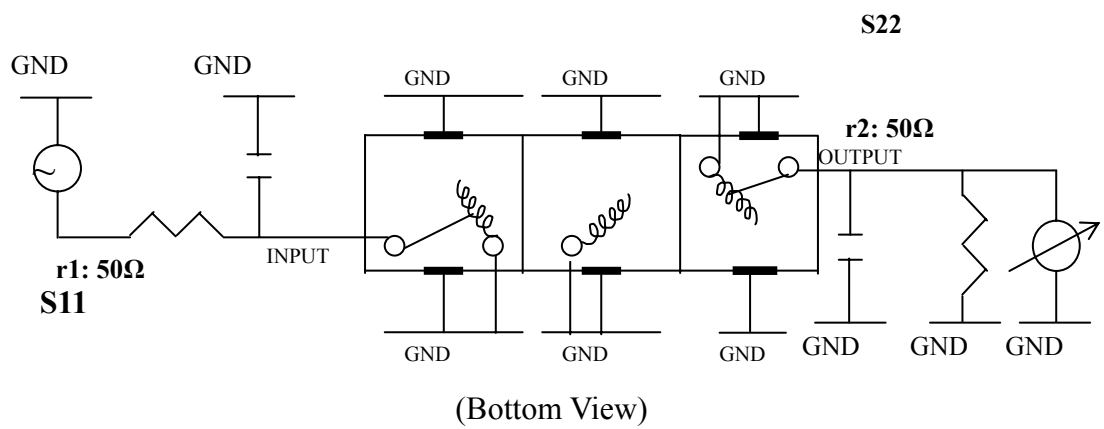
Customer Name		Temwell's Part No.	TT67462B-455M
Approval No. /dated		Temwell's Print name.	67462B 455M
Work Instruction No.	201203072B	Date	Mar.28.2012



(3) Electric Charasteric

Item	Specify	
Center Freq.(Fo ) +/- 0.5 %	455	MHz
Insertion Loss	Typ. 5.0	dB
-3 dB Bandwidth	Typ. 7	MHz
Sensitivity (Attenuation )	Fo - ( 40 ) MHz	Typ. 52 dBc
	Fo + ( 50 ) MHz	Typ. 47 dBc
	Fo - ( ) MHz	Typ. dBc
	Fo + ( ) MHz	Typ. dBc
Return Loss	Min. 12	dB
Ripple	< 1	dB
Impedance	In / Out : 50 Ω	
(4)Torque for Tuning Screw	> 100gf · cm	
(5)Temperature Condition:		
Operating Temperature	0°C ~ +60°C	
Storage Temperature	-20°C ~ +70°C	
(6)Input Power	> 1Watt	

(7)Measuring Circuit: ※Easy to match Impedance S11/S22 50Ωby parallel with about(0)



Approval C.Y.Chang	Supervisor C.K.Chang	Designer P.H.Chiang	Aperture size 7H3S(4*4.64)(4.68) 7H046RB4.3 聚 3
-----------------------	-------------------------	------------------------	---

TEMWELL CORPORATION

# Performance-TT67462B-455M

## 201203072B

