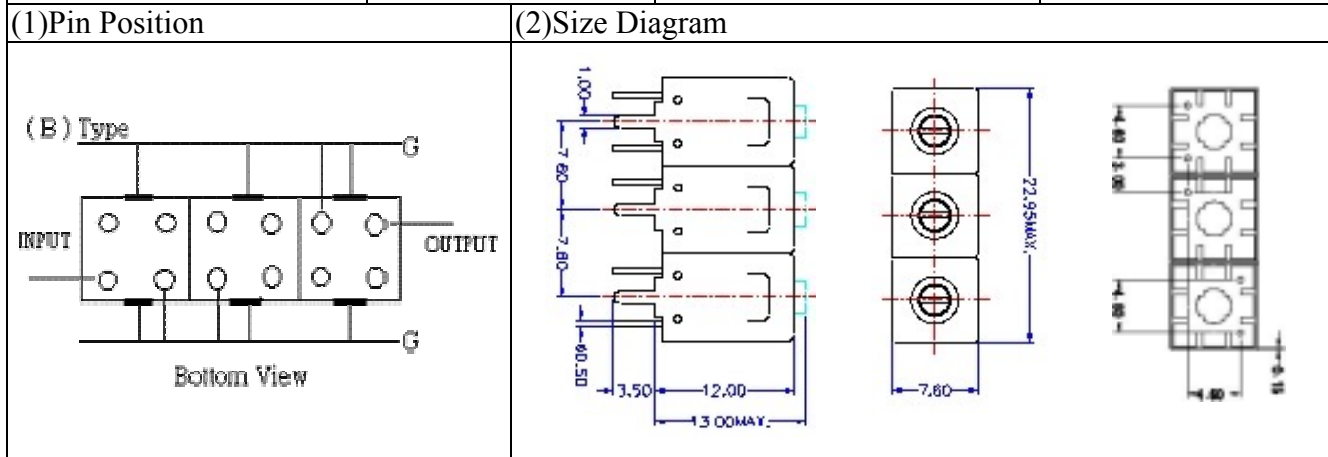
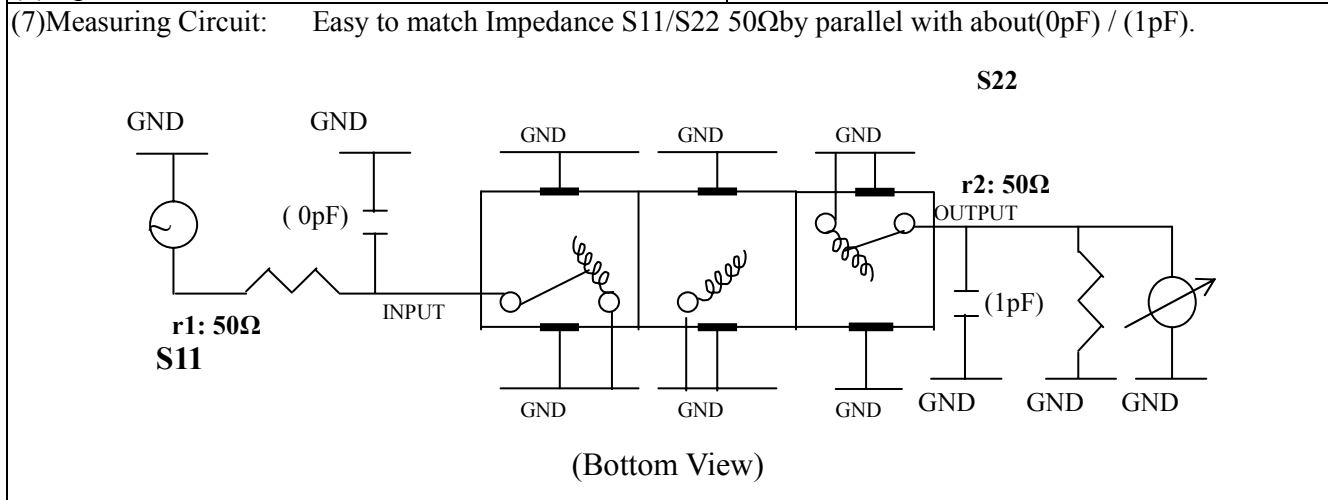


VHF UHF Helical Filter Specification Sheet

Customer Name		Temwell's Part No.	TT67491B-461M
Approval No. /dated	20303009APR	Temwell's Print name.	67491B 461M
Work Instruction No.	200811015C	Date	Nov.17.2008



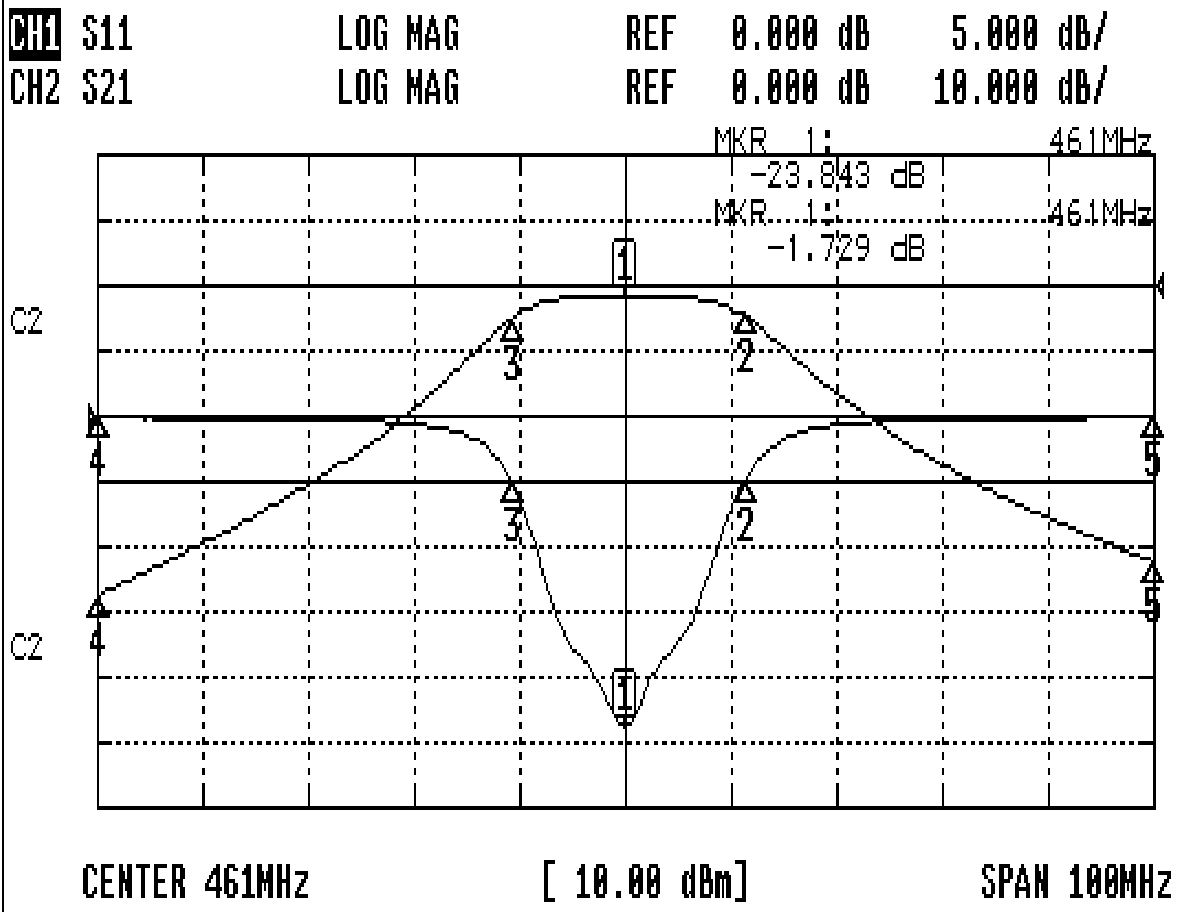
(3) Electric Characteristic	
Item	Specify
Center Freq.(Fo) +/- 0.5 %	461 MHz
Tunable Range:	461±5 MHz
Insertion Loss	Typ. 2.5 dB
-3 dB Bandwidth	Typ. 20 MHz
Sensitivity (Attenuation)	Fo - (50) MHz Typ. 42 dBc
	Fo + (50) MHz Typ. 36 dBc
	Fo - () MHz Typ. dBc
	Fo + () MHz Typ. dBc
Return Loss	Min. 12 dB
Ripple	< 1 dB
Impedance	In / Out : 50 Ω
(4) Torque for Tuning Screw	
> 100gf cm	
(5) Temperature Condition:	
Operating Temperature	0 ~ +60
Storage Temperature	-20 ~ +70
(6) Input Power	
> 1Watt	



Approval	Supervisor	Designer	Aperture size
C.Y.Chang	C.S.Chang	P.H.Chiang	7H3S(4*6.5)F (7H046LB4 聚 3)
TEMWELL CORPORATION			

Performance-TT67491B-461M

200811015C



CH1 MARKER LIST

1:	461.000MHz	-23.843 dB
2:	472.416MHz	-4.774 dB
3:	450.416MHz	-5.231 dB
4:	411.000MHz	-0.129 dB
5:	511.000MHz	-0.128 dB

CH2 MARKER LIST

1:	461.000MHz	-1.729 dB
2:	472.416MHz	-4.758 dB
3:	450.416MHz	-4.771 dB
4:	411.000MHz	-47.444 dB
5:	511.000MHz	-42.271 dB