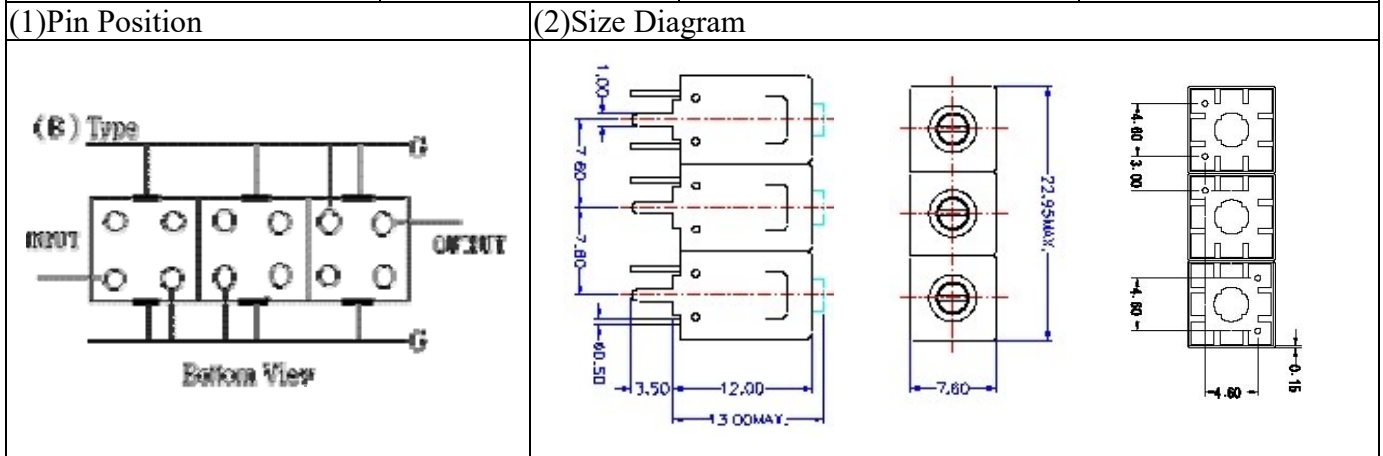
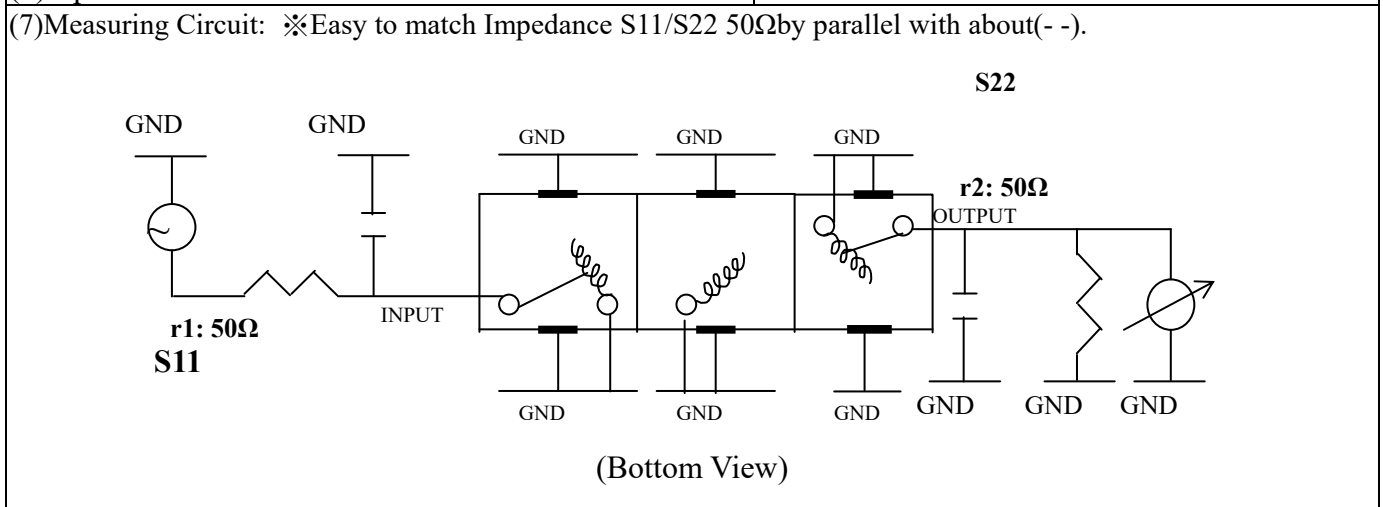


# VHF UHF Helical Filter Specification Sheet

Customer Name		Temwell's Part No.	TT67526B-60M
Approval No. /dated		Temwell's Print name.	
Work Instruction No.	201905129C	Date	Jun.21.2019



(3) Electric Chararistic		Item	Specify
Center Freq.(Fo) +/- 0.5 %		60	MHz
Insertion Loss		Typ. 3.0	dB
-3 dB Bandwidth		Typ. 10	MHz
Sensitivity (Attenuation)	Fo - 15 MHz	Typ. 32	dBc
	Fo + 15 MHz	Typ. 28	dBc
	Fo - ( ) MHz	Typ.	dBc
	Fo + ( ) MHz	Typ.	dBc
Return Loss		Min. 12	dB
Ripple		< 1	dB
Impedance		In / Out : 50 Ω	
(4) Torque for Tuning Screw		> 60gf · cm	
(5) Temperature Condition:			
Operating Temperature		0°C ~ +60°C	
Storage Temperature		-20°C ~ +70°C	
(6) Input Power		> 1Watt	



Approval C.Y.Chang	Supervisor C.K.Chang	Designer C.S.Chang	Aperture size 7H3S(4*8.0)(8.02) 7H046RB6.5
-----------------------	-------------------------	-----------------------	--

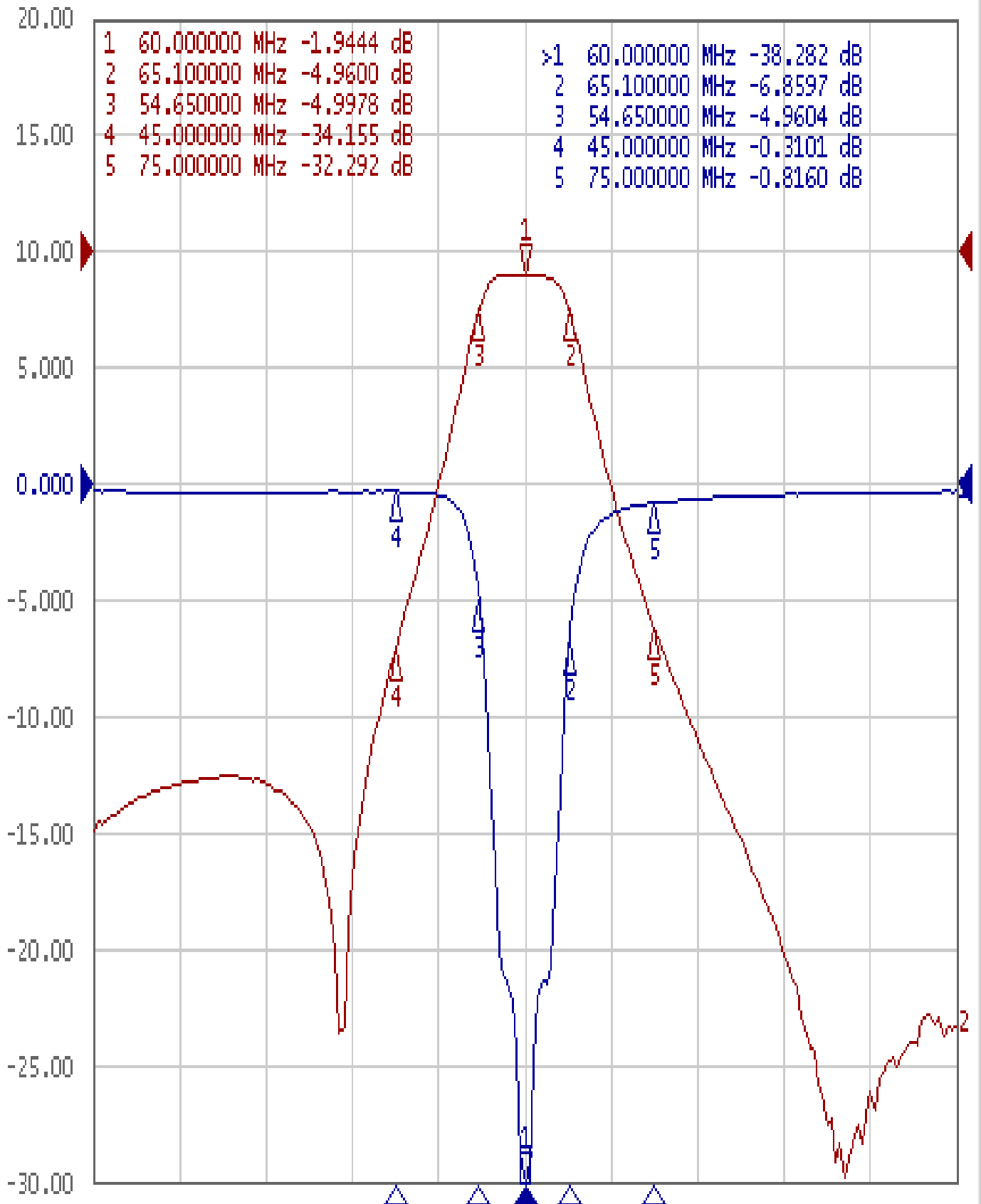
TEMWELL CORPORATION

# Performance- TT67526B-60M

201905129C

Tr1 S11 Log Mag 5.000dB/ Ref 0.000dB [F2]

Tr2 S21 Log Mag 10.00dB/ Ref 0.000dB [F2]



1 Center 60 MHz

IFBW 70 kHz

Span 100 MHz Cor !