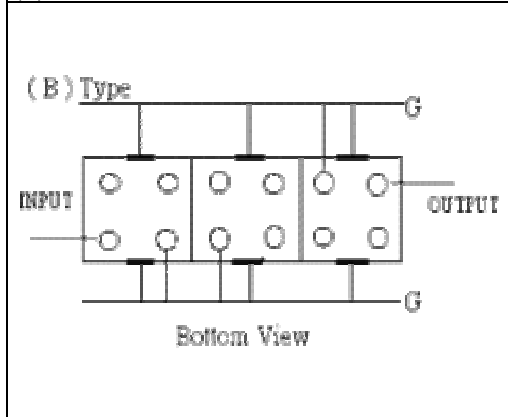


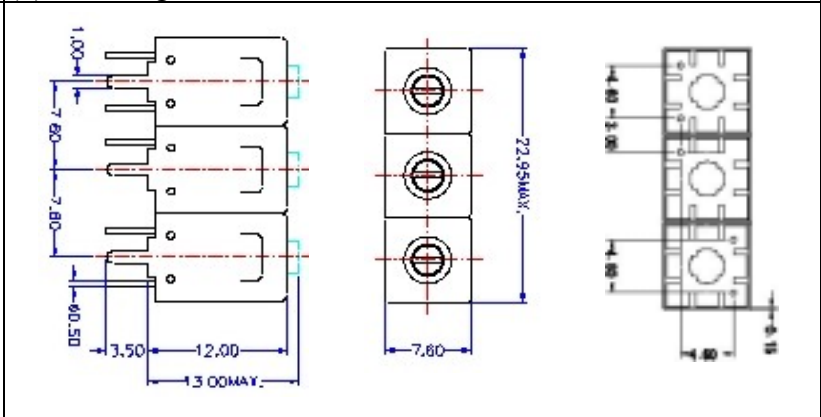
VHF UHF Helical Filter Specification Sheet

Customer Name		Temwell's Part No.	TT67553B-465M
Approval No. /dated	0802045APR	Customer's Print Name.	67553B 465M
Work Instruction No.	0802045BD	Date	Feb.22.2008

(1) Pin Position



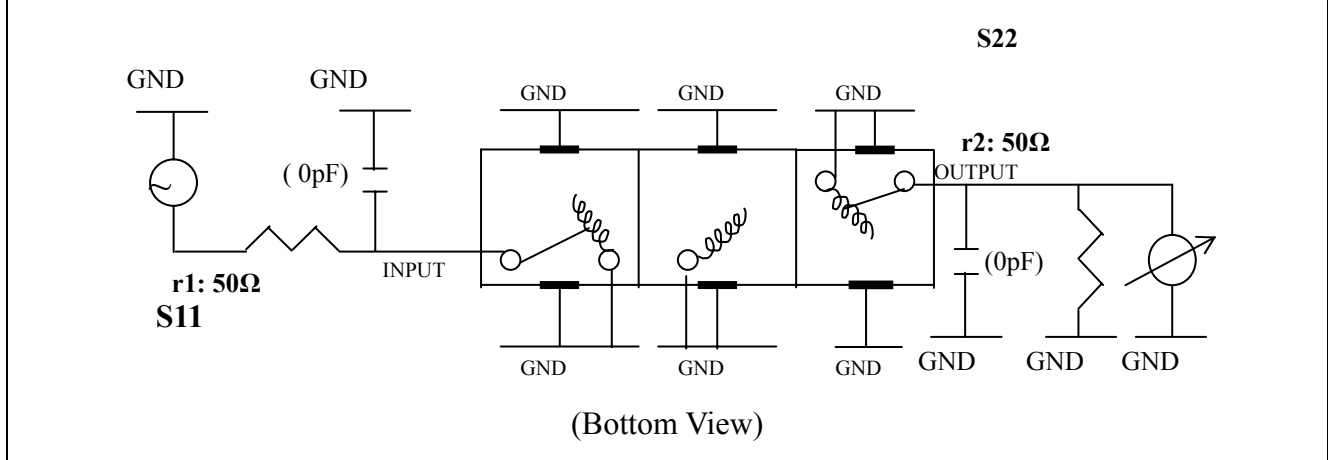
(2) Size Diagram



(3) Electric Characteristic

Item	Specify
Center Freq.(Fo) +/- 0.75 %	465 MHz
Tunable Range:	465±10 MHz
Insertion Loss	Typ. 3.0 dB
-3 dB Bandwidth	Typ. 14 MHz
Sensitivity (Attenuation)	Fo - 25 MHz Typ. 31 dB
	Fo + 25 MHz Typ. 22 dB
	Fo - ()MHz Typ. dB
	Fo +()MHz Typ. dB
Return Loss	Min. 12 dB
Ripple	< 1 dB
Impedance	In / Out : 50 Ω
(4)Torque for Tuning Screw	> 100gf cm
(5)Temperature Condition:	
Operating Temperature	-30 ~ +70
Storage Temperature	-30 ~ +80
(6)Input Power	> 1Watt

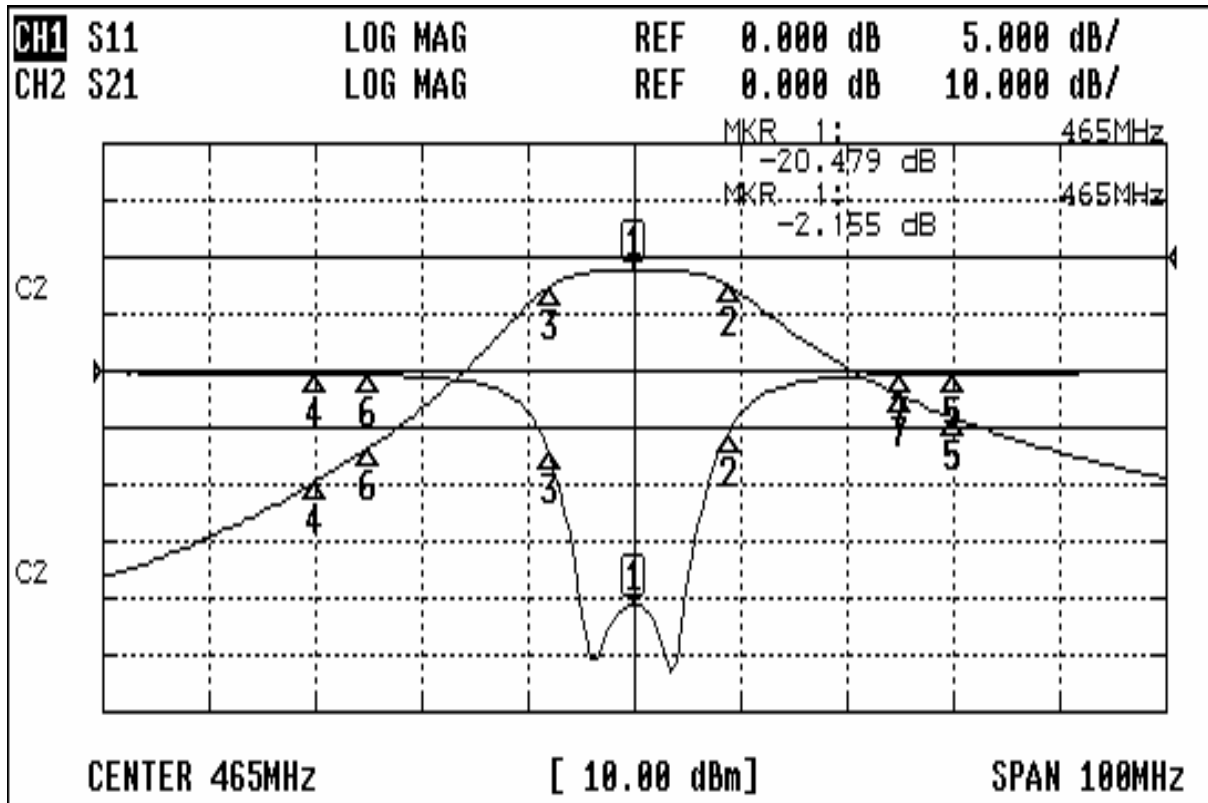
(7)Measuring Circuit: Easy to match Impedance S11/S22 50Ωby parallel with about(0pF) / (0pF).



Approval	Supervisor	Designer	Aperture size
C.Y.Chang	C.S.Chang	P.H.Chiang	7H3(4*5.5F)*(4.0B) 7H046RB4
TEMWELL CORPORATION			

Performance-TT67553B-465M

0802045BD



CH1 MARKER LIST

1:	465.000MHz	-20.479 dB
2:	473.916MHz	-5.366 dB
3:	457.000MHz	-7.171 dB
4:	435.000MHz	-0.265 dB
5:	495.000MHz	-0.238 dB
6:	440.000MHz	-0.347 dB
7:	490.000MHz	-0.324 dB
8:		
9:		
10:		

CH2 MARKER LIST

1:	465.000MHz	-2.155 dB
2:	473.916MHz	-5.109 dB
3:	457.000MHz	-5.126 dB
4:	435.000MHz	-39.582 dB
5:	495.000MHz	-28.268 dB
6:	440.000MHz	-33.659 dB
7:	490.000MHz	-24.340 dB
8:		
9:		
10:		