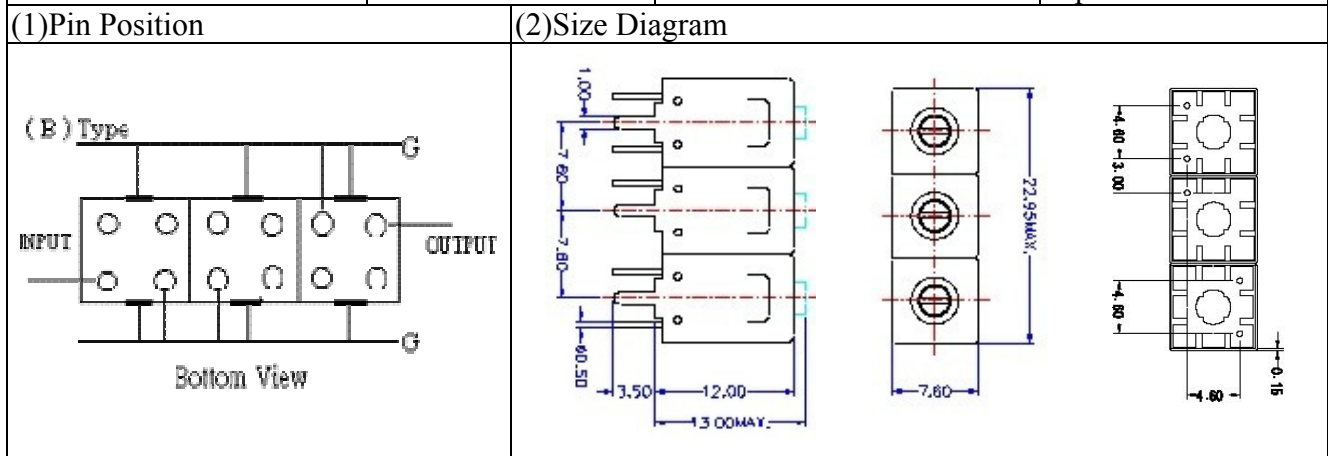
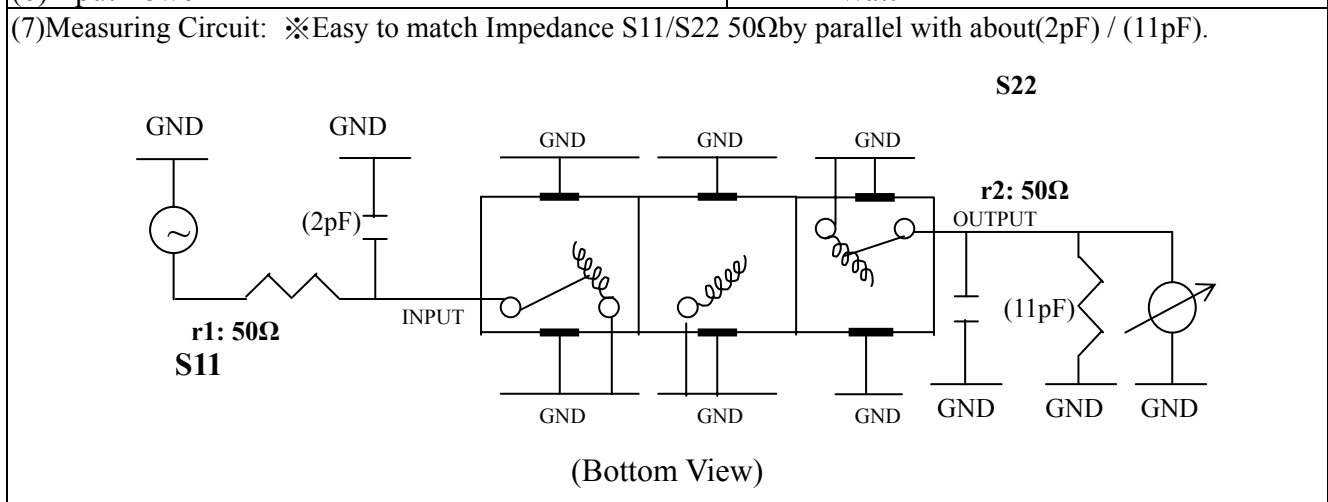


VHF UHF Helical Filter Specification Sheet

Customer Name		Temwell's Part No.	TT6758B-171.9M
Approval No. /dated		Customer's Print Name.	6758B 171.9M
Work Instruction No.	201008042A	Date	Sep.13.2007



(3) Electric Charasteric		Item	Specify
Center Freq.(Fo) +/- 0.75 %			171.9 MHz
Insertion Loss		Typ.	5.0 dB
-3 dB Bandwidth		Typ.	3 MHz
Sensitivity (Attenuation)	Fo - 10 MHz	Typ.	30 dBc
	Fo + 10 MHz	Typ.	29 dBc
	Fo - ()MHz	Typ.	dBc
	Fo +()MHz	Typ.	dBc
Return Loss		Min.	12 dB
Ripple			< 1 dB
Impedance			In / Out : 50 Ω
(4) Torque for Tuning Screw			> 60gf · cm
(5) Temperature Condition:			
Operating Temperature			-30°C ~ +70°C
Storage Temperature			-30°C ~ +80°C
(6) Input Power			> 1Watt

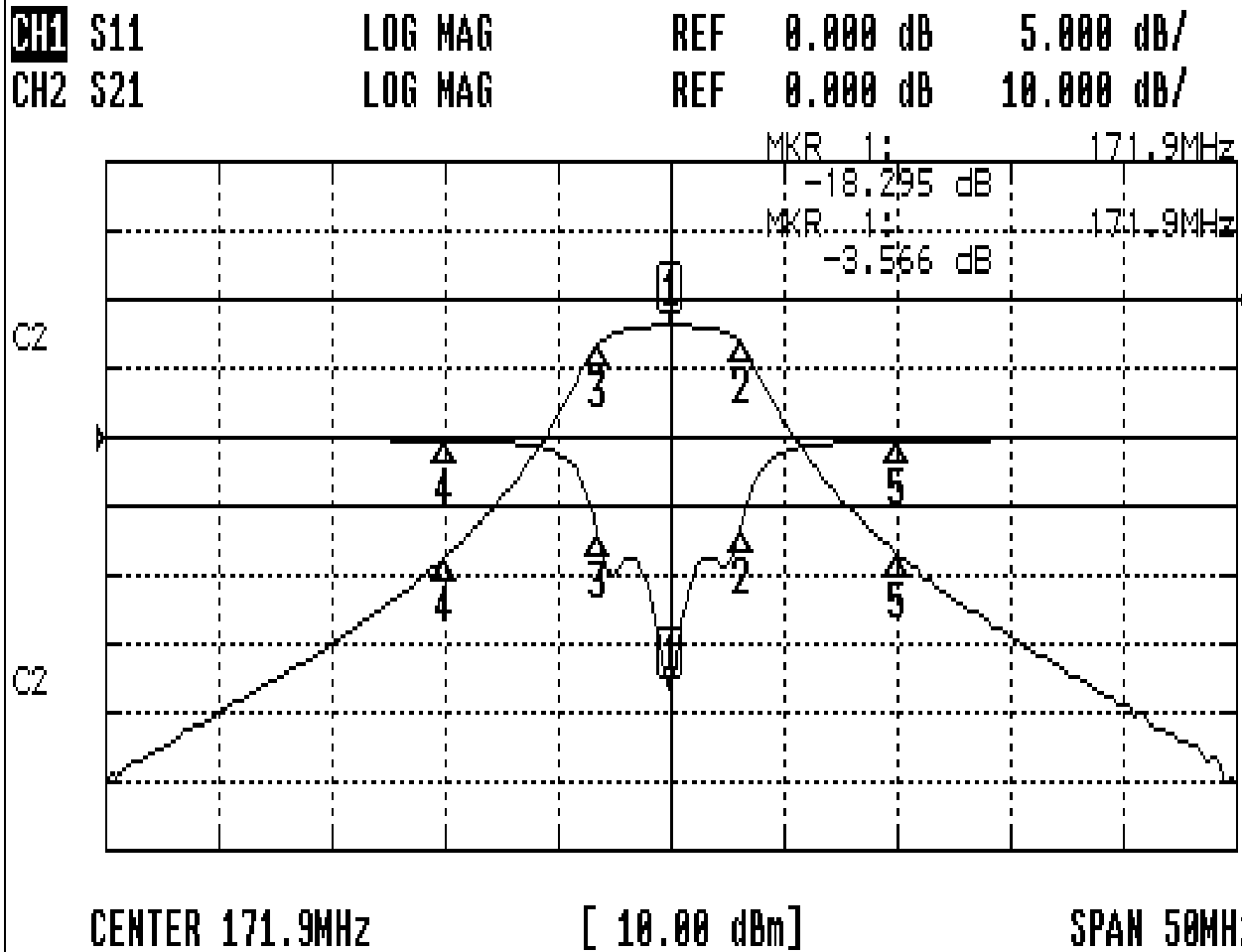


Approval	Supervisor	Designer	Aperture size
C.Y.Chang	C.K.Chang	Y.H.Yeh	7H3S(4*5.5)(5.55) 7H024LB4

TEMWELL CORPORATION

Performance-TT6758B-171.9M

201008042A



CH1 MARKER LIST

1:	171.900MHz	-18.295 dB
2:	174.983MHz	-1.613 dB
3:	168.691MHz	-1.988 dB
4:	161.900MHz	-1.202 dB
5:	181.900MHz	-0.233 dB

CH2 MARKER LIST

1:	171.900MHz	-3.566 dB
2:	174.983MHz	-1.133 dB
3:	168.691MHz	-1.988 dB
4:	161.900MHz	-1.906 dB
5:	181.900MHz	-6.877 dB