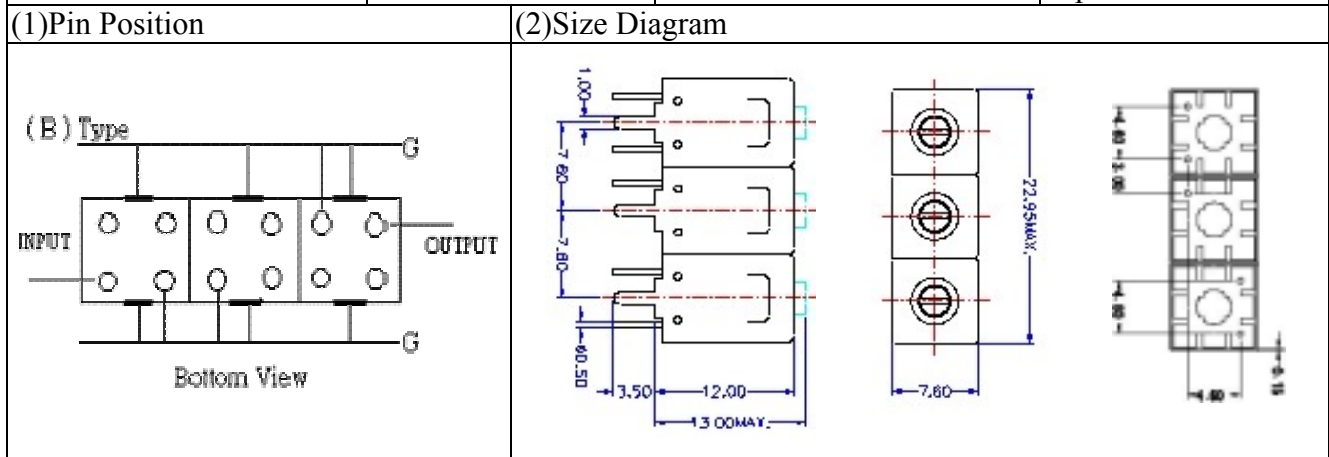


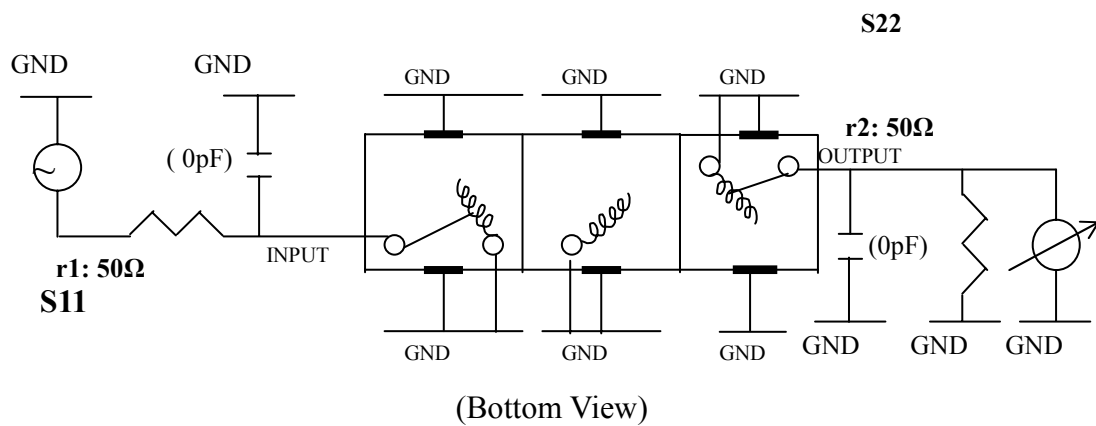
VHF UHF Helical Filter Specification Sheet

Customer Name		Temwell's Part No.	TT6762B1-225M
Approval No. /dated	200809049C	Temwell's Print name.	6762B1 225M
Work Instruction No.	200809049C	Date	Sep.22.2008



(3) Electric Characteristic	
Item	Specify
Center Freq.(Fo) +/- 0.5 %	225 MHz
Insertion Loss	Typ. 3.5 dB
-3 dB Bandwidth	Typ. 8 MHz
Sensitivity (Attenuation)	Fo - (20) MHz Typ. 38 dBc
	Fo + (20) MHz Typ. 34 dBc
	Fo - () MHz Typ. dBc
	Fo + () MHz Typ. dBc
Return Loss	Min. 12 dB
Ripple	< 1 dB
Impedance	In / Out : 50 Ω
(4) Torque for Tuning Screw	> 100gf cm
(5) Temperature Condition:	
Operating Temperature	0 ~ +60
Storage Temperature	-20 ~ +70
(6) Input Power	> 1Watt

(7) Measuring Circuit: Easy to match Impedance S11/S22 50Ω by parallel with about (0pF) / (0pF).

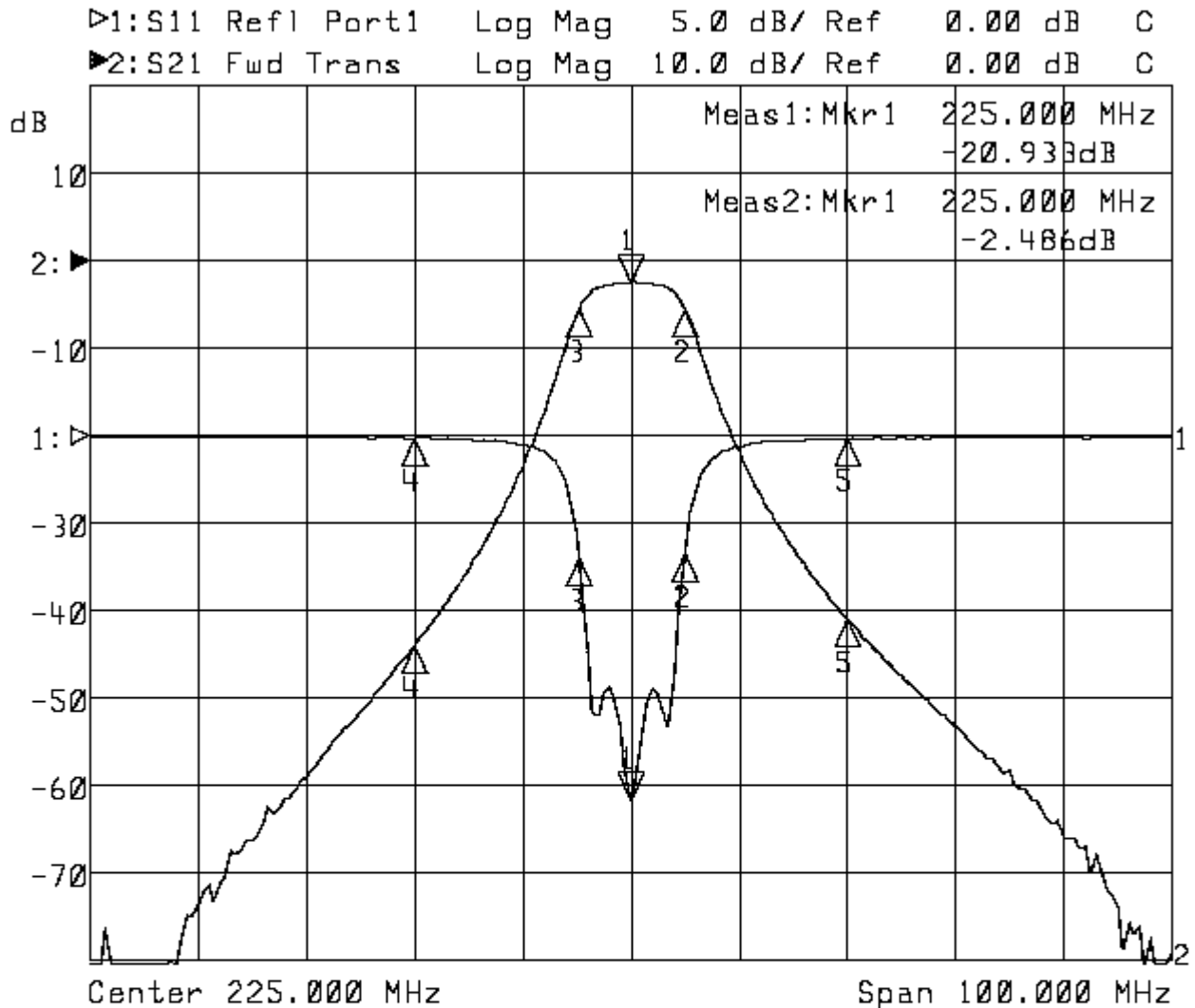


Approval C.Y.Chang	Supervisor C.S.Chang	Designer K.L.Lai	Aperture size 7H3S(4*5.5F) (7H024LB4)
-----------------------	-------------------------	---------------------	---

TEMWELL CORPORATION

Performance-TT6762B1-225M

200809049C



1: Mkr (MHz) dB		2: Mkr (MHz) dB	
1>	225.0000 -20.933	1>	225.0000 -2.486
2:	229.9667 -6.706	2:	229.9667 -5.440
3:	220.2667 -7.024	3:	220.2667 -5.503
4:	205.0000 -0.153	4:	205.0000 -44.009
5:	245.0000 -0.170	5:	245.0000 -40.950