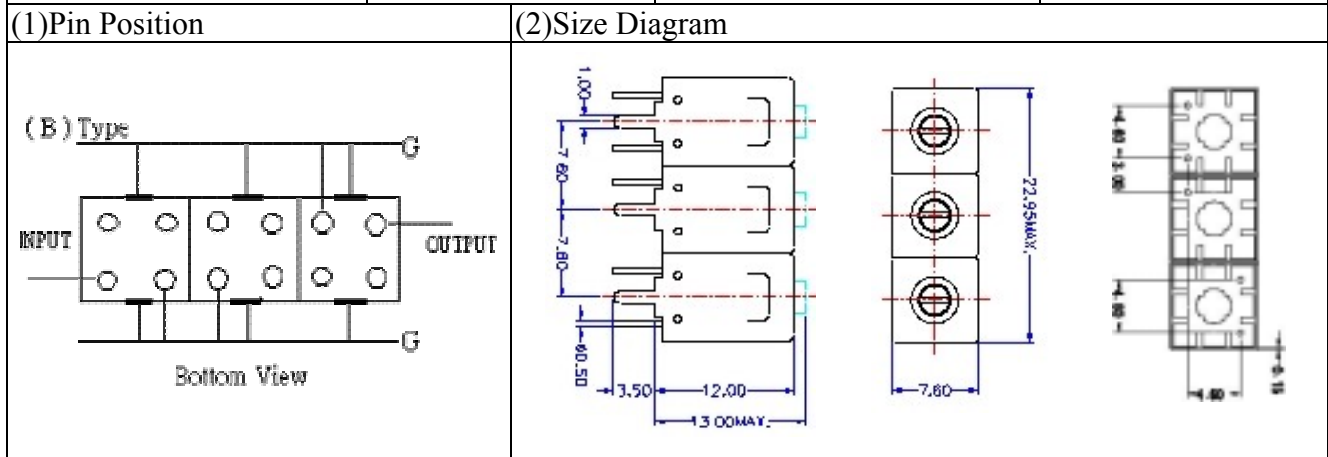


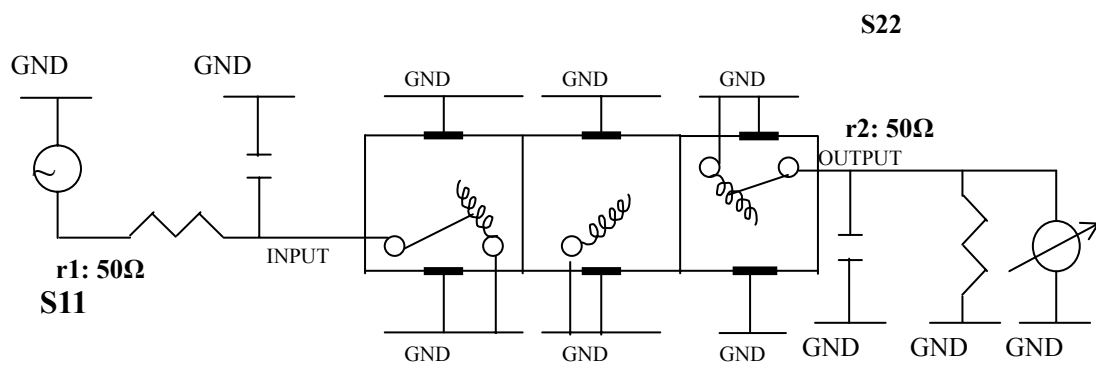
# VHF UHF Helical Filter Specification Sheet

Customer Name		Temwell's Part No.	TT6764B-250M
Approval No. /dated		Temwell's Print Name.	6764B 250M
Work Instruction No.	201006145C	Date	Jun.29.2010



(3) Electric Characteristic	
Item	Specify
Center Freq.(Fo) +/- 0.5 %	250 MHz
Insertion Loss	Typ. 3.0 dB
-3 dB Bandwidth	Typ. 10 MHz
Sensitivity (Attenuation)	Fo - 50 MHz Typ. 50 dBc
	Fo + 50 MHz Typ. 60 dBc
	Fo - ( )MHz Typ. dBc
	Fo +( )MHz Typ. dBc
Return Loss	Min. 12 dB
Ripple	< 1 dB
Impedance	In / Out : 50 Ω
(4) Torque for Tuning Screw	> 100gf cm
(5) Temperature Condition:	
Operating Temperature	0 ~ +60
Storage Temperature	-20 ~ +70
(6) Input Power	> 1Watt

(7) Measuring Circuit: Easy to match Impedance S11/S22 50Ω by parallel with about(--)/ (--).



(Bottom View)

Approval	Supervisor	Designer	Aperture size
C.Y.Chang	C.K.Chang	P.H.Chiang	7H3S(4*5.5)(5.55) (7H024LB4)

TEMWELL CORPORATION

# Performance-TT6764B-250M

201006145C

