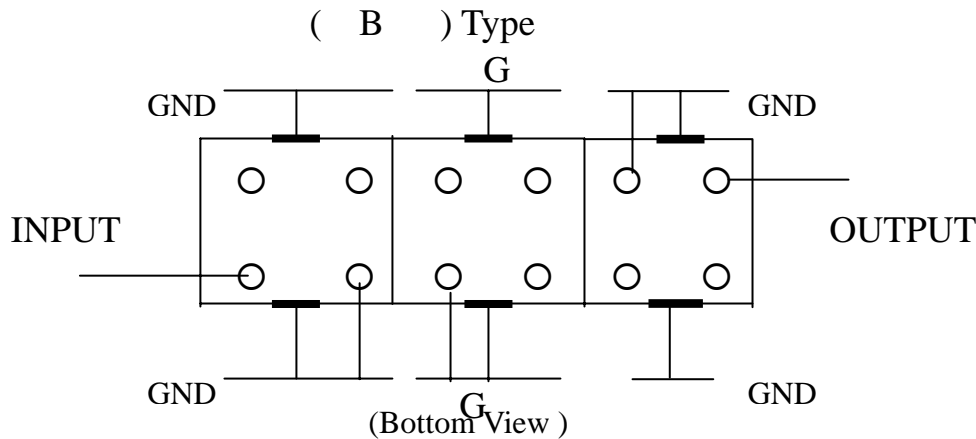


## VHF UHF Helical Filter Specification Sheet

Customer Name		Temwell's Part No.	<b>TT6764B-259M</b>
Approval No. /dated	20308063APR	Temwell's Part No.	
Work Instruction No.	20508026A	Date	Sep.09.2005
<input type="checkbox"/> Buyer Print name		Temwell's print name	6764B 259M
Case Name	7H3	Case size : ( mm)	
Terminator Type	B		

\* Pin Position (Pin Connection) diagram as following



### (3) Electric Character

Item		Specify	
Center Freq.(Fo ) +/- 0.5 %		259	MHz
Insertion Loss	Typ.	3.0	dB
-3 dB Bandwidth	Typ.	10	MHz
Sensitivity (Attenuation )	Fo - (50 )MHz	Typ.	50 dBc
	Fo +(50)MHz	Typ.	60 dBc
	Fo - ( )MHz	Typ.	dBc
	Fo +( )MHz	Typ.	dBc
Return Loss	Min.	12	dB
Ripple		< 1	dB
Impedance		In / Out : 50 Ω	
Torque for Tuning Screw		> 100gf cm	

### 4. Temperature Condition:

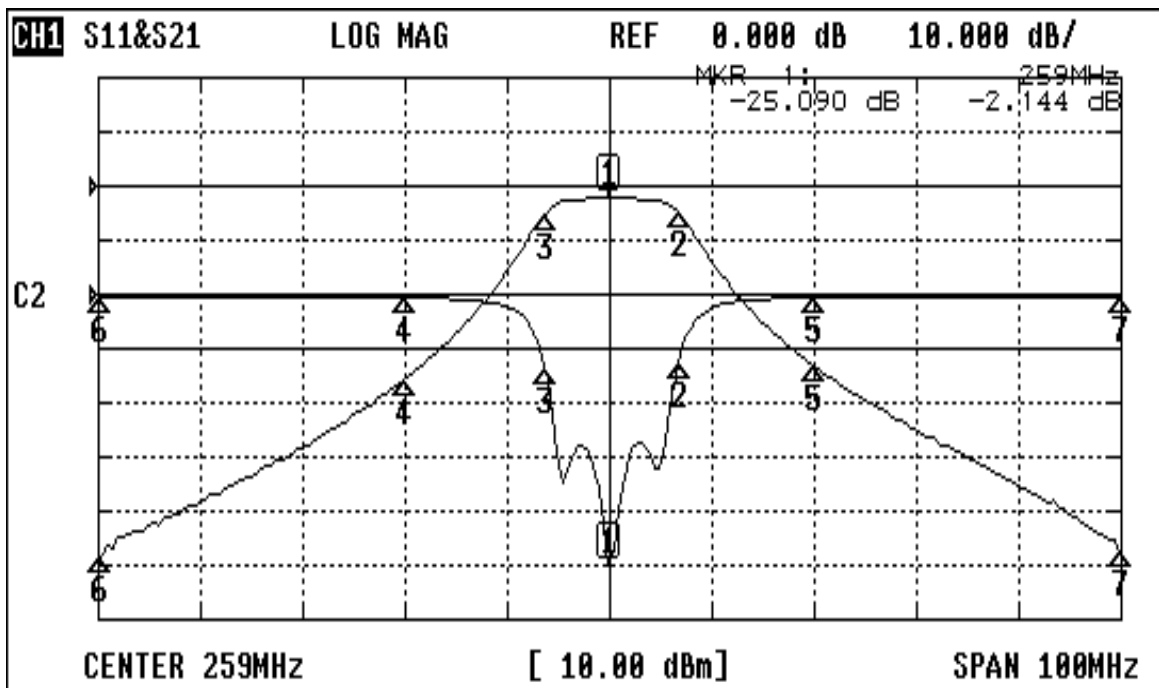
Operating Temperature	0 ~ +60
Storage Temperature	-20 ~ +70

Approval	Supervisor	Designer	Aperture size
C.Y.Chang	C.S.Chang	J.F.Lin	7H3S-4*5.5F(5.60) 7H024LB4

**TEMWELL CORPORATION**

# Performance-TT6764B-259M

## 20508026A



### CH1 MARKER LIST

1:	259.000MHz	-25.082 dB	-2.144 dB
2:	265.833MHz	-6.166 dB	-5.117 dB
3:	252.750MHz	-6.836 dB	-5.090 dB
4:	239.000MHz	-0.287 dB	-35.713 dB
5:	279.000MHz	-0.288 dB	-33.096 dB
6:	209.000MHz	-0.157 dB	-67.673 dB
7:	309.000MHz	-0.187 dB	-67.548 dB
8:			
9:			
10:			