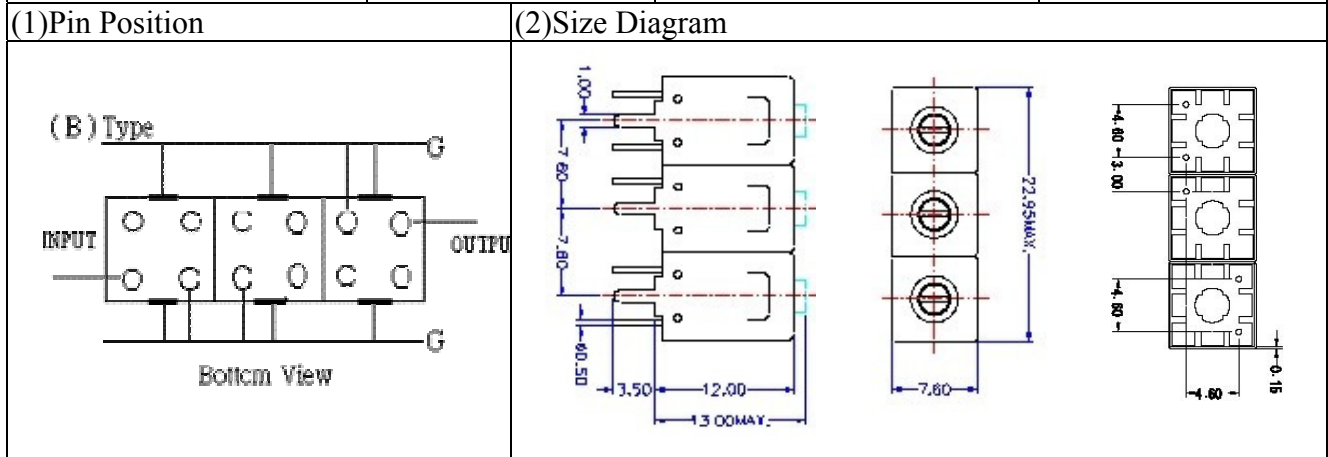
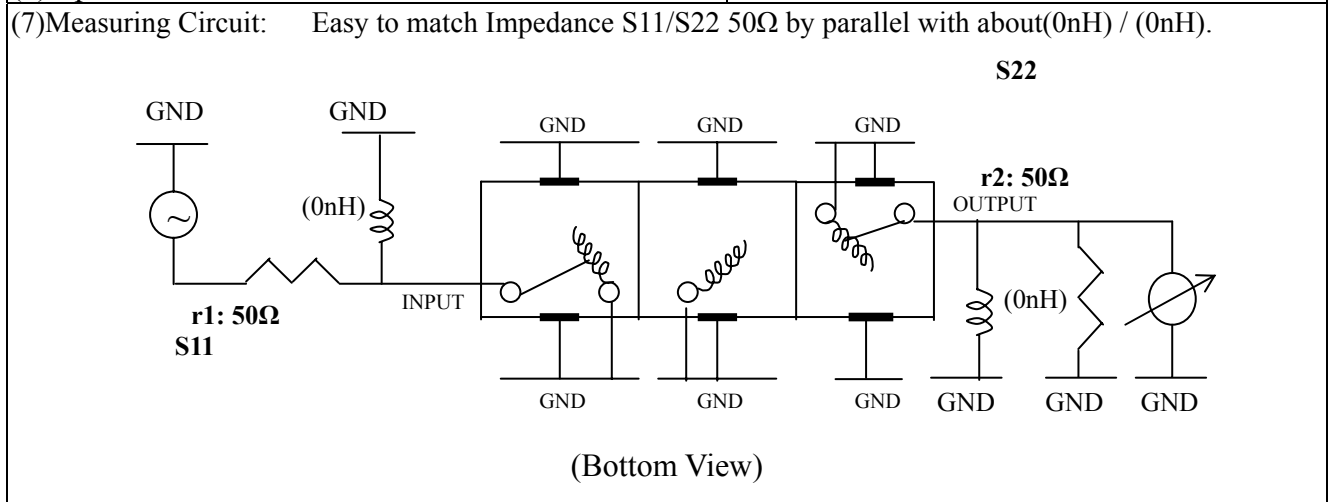


VHF UHF Helical Filter Specification Sheet

Customer Name		Temwell's Part No.	TT67677B1-140M
Approval No. /dated	1001045CD	Temwell's Print name	67677B1 140M
Work Instruction No.	201001045CD	Date	Feb.25.2010



(3) Electric Characteristic		Item	Specify
		Center Freq.(Fo) +/- 0.5 %	140 MHz
		Insertion Loss	Typ. 3.0 dB
		-3 dB Bandwidth	Typ. 10 MHz
Sensitivity (Attenuation)	Fo - 50 MHz	Typ. 75	dBc
	Fo + 50 MHz	Typ. 55	dBc
	Fo - ()MHz	Typ.	dBc
	Fo +()MHz	Typ.	dBc
Return Loss		Min. 12	dB
Ripple		< 1	dB
Impedance		In / Out : 50 Ω	
(4) Torque for Tuning Screw		> 60gf cm	
(5) Temperature Condition:			
Operating Temperature		0 ~ +60	
Storage Temperature		-20 ~ +70	
(6) Input Power		> 1Watt	



Approval	Supervisor	Designer	Aperture size
C.Y.Chang	C.K.Chang	Y.H.Yeh	7H3S(4*4.65)(4.70) 7H024RB6.5

TEMWELL CORPORATION

Performance-TT67677B1-140M

201001045CD

