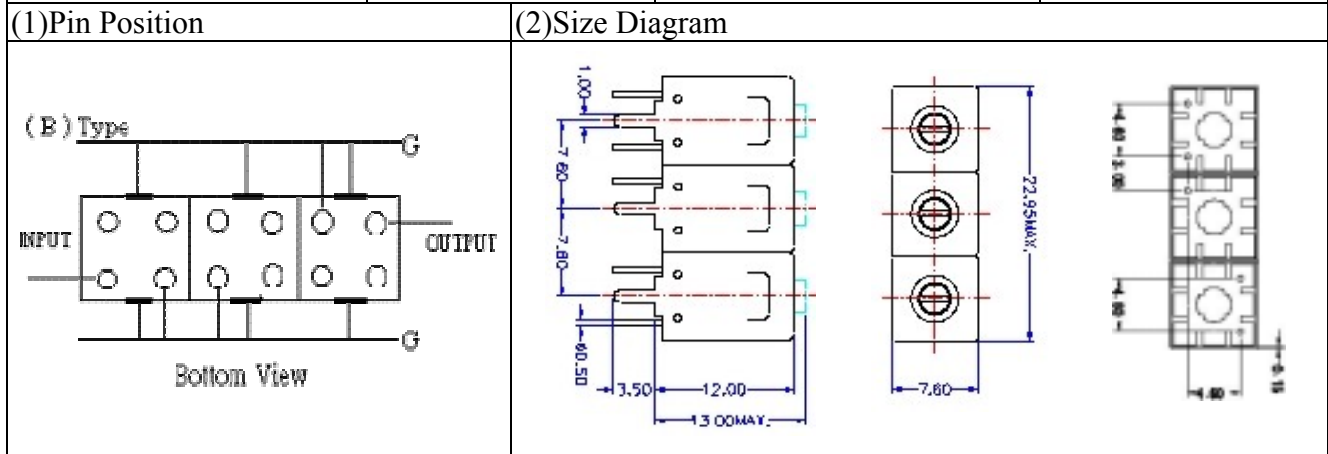
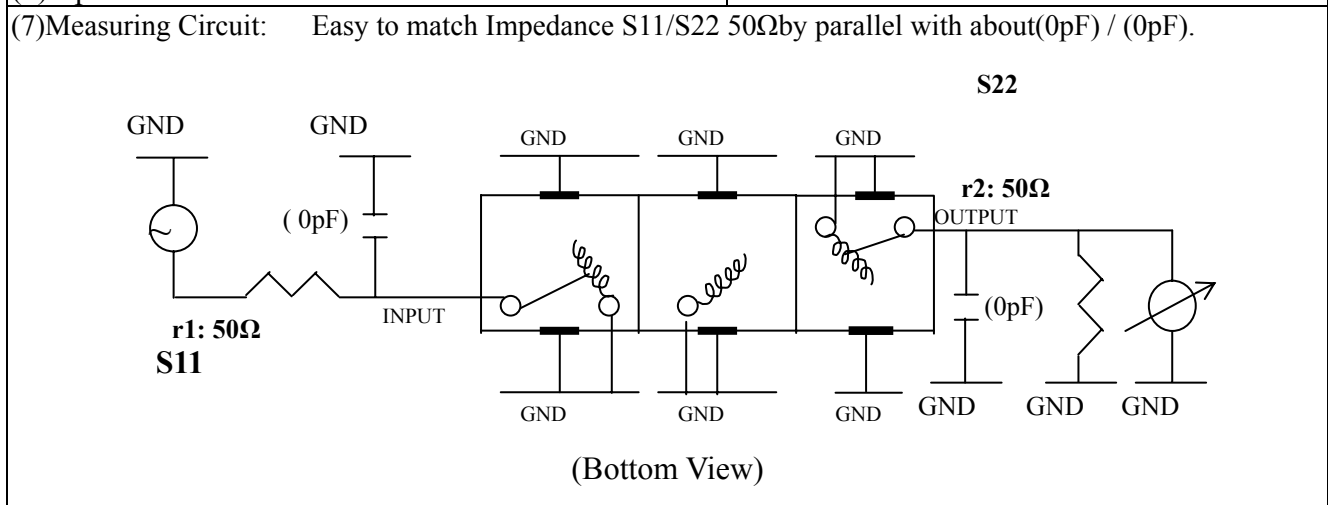


VHF UHF Helical Filter Specification Sheet

Customer Name		Temwell's Part No.	TT67680B1-140M
Approval No. /dated		Temwell's Print name.	67680B1 140M
Work Instruction No.	200912033CD	Date	Dec.10.2009



(3) Electric Charasteric		Item	Specify
Center Freq.(Fo) +/- 0.5 %			140 MHz
Insertion Loss		Typ.	2.0 dB
-3 dB Bandwidth		Typ.	35 MHz
Sensitivity (Attenuation)	Fo - (50) MHz	Typ.	37 dBc
	Fo + (50) MHz	Typ.	27 dBc
	Fo - () MHz	Typ.	dBc
	Fo + () MHz	Typ.	dBc
Return Loss		Min.	12 dB
Ripple			< 1 dB
Impedance			In / Out : 50 Ω
(4) Torque for Tuning Screw			> 100gf cm
(5) Temperature Condition:			
Operating Temperature			0 ~ +60
Storage Temperature			-20 ~ +70
(6) Input Power			> 1Watt



Approval C.Y.Chang	Supervisor C.K.Chang	Designer F.L.Lai	Aperture size 7H3S(4*7.5)(7.55) 7H024LB6.5
TEMWELL CORPORATION			

Performance-TT67680B1-140M

200912033CD

