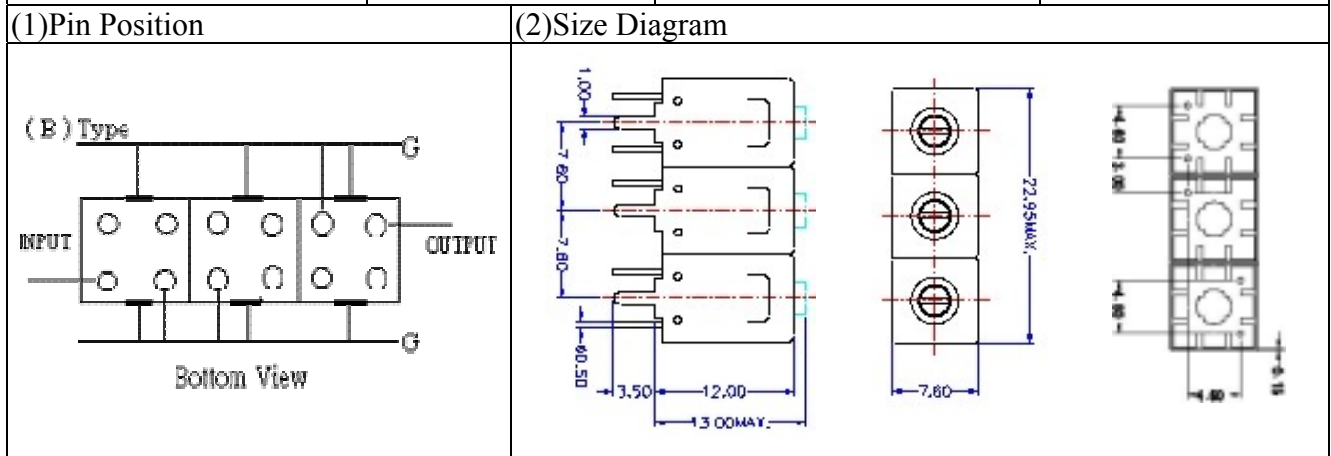


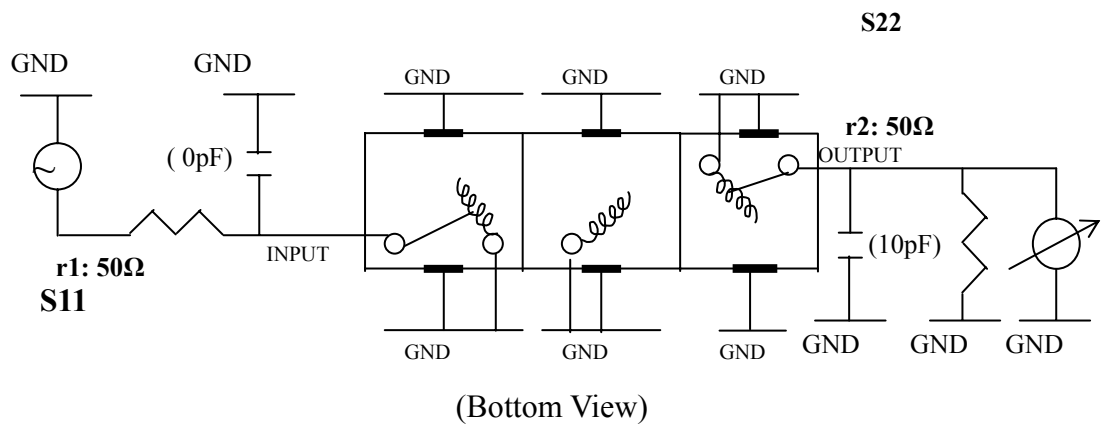
# VHF UHF Helical Filter Specification Sheet

Customer Name		Temwell's Part No.	TT6821B-155M
Approval No. /dated	0703164APR	Temwell's Print name.	6821B 155M
Work Instruction No.	0806102A	Date	Feb.27.2009



(3) Electric Charasteric	
Item	Specify
Center Freq.(Fo ) +/- 0.5 %	155 MHz
Tunable Range:	155±2 MHz
Insertion Loss	Typ. 4.5 dB
-3 dB Bandwidth	Typ. 5.0 MHz
\Sensitivity (Attenuation )	Fo - ( 10 ) MHz    Typ.    31    dBc
	Fo + ( 10 ) MHz    Typ.    28    dBc
	Fo - (   ) MHz    Typ.          dBc
	Fo + (   ) MHz    Typ.          dBc
Return Loss	Min.    12    dB
Ripple	< 1    dB
Impedance	In / Out : 50 Ω
(4) Torque for Tuning Screw    > 100gf cm	
(5) Temperature Condition:	
Operating Temperature	0    ~ +60
Storage Temperature	-20    ~ +70
(6) Input Power	> 1Watt

(7) Measuring Circuit:    Easy to match Impedance S11/S22 50Ω by parallel with about(0pF) / (10pF).

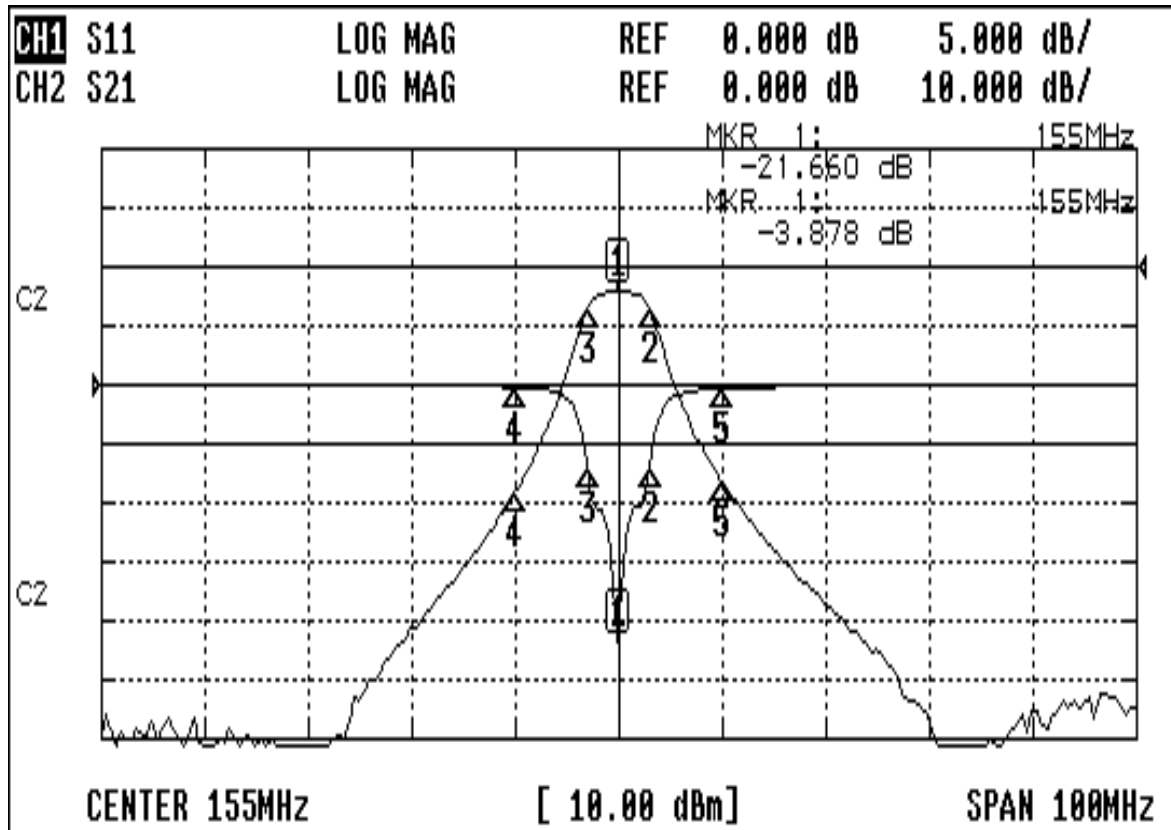


Approval C.Y.Chang	Supervisor C.K.Chang	Designer Y.H.Yeh	Aperture size 7H3S(4*5.5)(5.60) 7H024LB4
-----------------------	-------------------------	---------------------	--

TEMWELL CORPORATION

# Performance-TT6821B-155M

## 0806102A



### CH1 MARKER LIST

1:	155.000MHz	-21.660 dB
2:	158.000MHz	-7.050 dB
3:	152.083MHz	-7.303 dB
4:	145.000MHz	-0.178 dB
5:	165.000MHz	-0.275 dB

### CH2 MARKER LIST

1:	155.000MHz	-3.877 dB
2:	158.000MHz	-6.903 dB
3:	152.083MHz	-6.882 dB
4:	145.000MHz	-38.339 dB
5:	165.000MHz	-36.366 dB