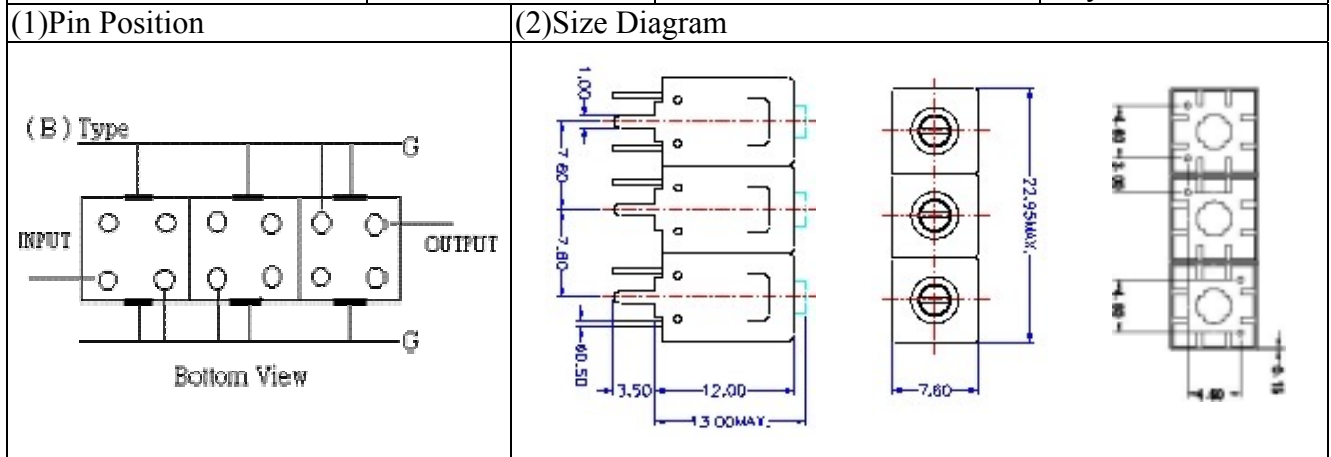


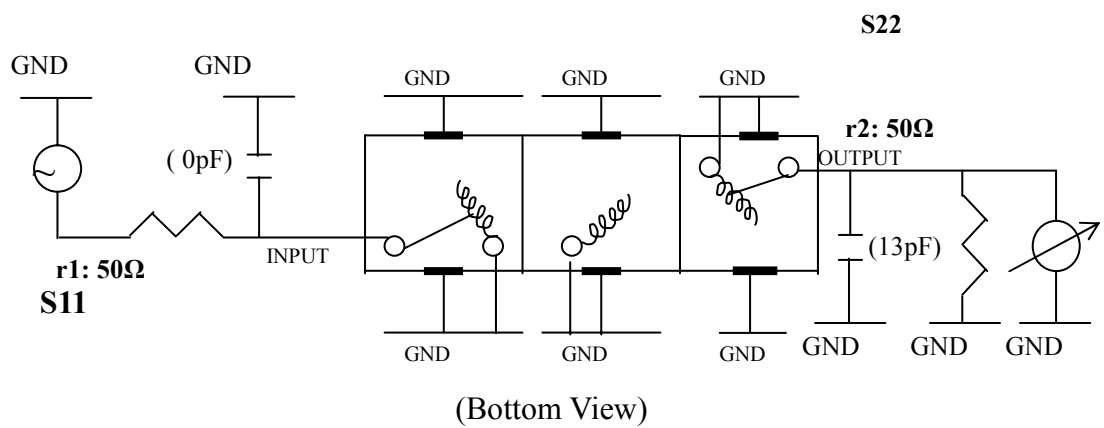
VHF UHF Helical Filter Specification Sheet

Customer Name		Temwell's Part No.	TT6821B-160M
Approval No. /dated	0801082APR	Customer's Print Name.	6821B 160M
Work Instruction No.	0801082CD	Date	May.02.2008



(3) Electric Characteristic	
Item	Specify
Center Freq.(Fo) +/- 0.5 %	160 MHz
Insertion Loss	Typ. 4.5 dB
-3 dB Bandwidth	Typ. 5 MHz
Sensitivity (Attenuation)	Fo - 10 MHz Typ. 31 dBc
	Fo + 10 MHz Typ. 28 dBc
	Fo - ()MHz Typ. dBc
	Fo +()MHz Typ. dBc
Return Loss	Min. 12 dB
Ripple	< 1 dB
Impedance	In / Out : 50 Ω
(4) Torque for Tuning Screw	> 100gf cm
(5) Temperature Condition:	
Operating Temperature	0 ~ +60
Storage Temperature	-20 ~ +70
(6) Input Power	> 1 Watt

(7) Measuring Circuit: Easy to match Impedance S11/S22 50Ω by parallel with about (0pF) / (13pF).

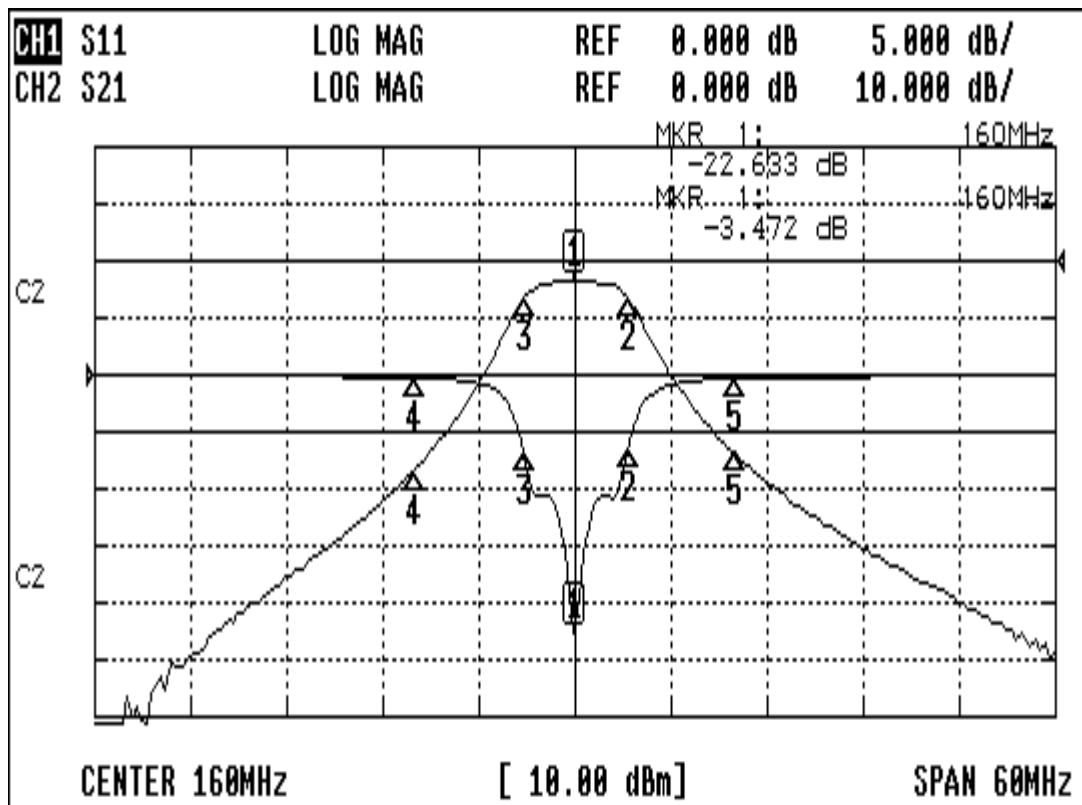


Approval	Supervisor	Designer	Aperture size
C.Y.Chang	C.S.Chang	Y.H.Chuan	7H3(4*5.5)F (7H024LB4)

TEMWELL CORPORATION

Performance-TT6821B-160M

0801082CD



CH1 MARKER LIST

1:	160.000MHz	-22.633 dB
2:	163.350MHz	-6.457 dB
3:	156.850MHz	-7.007 dB
4:	150.000MHz	-0.242 dB
5:	170.000MHz	-0.299 dB

CH2 MARKER LIST

1:	160.000MHz	-3.472 dB
2:	163.350MHz	-6.478 dB
3:	156.850MHz	-6.442 dB
4:	150.000MHz	-36.589 dB
5:	170.000MHz	-33.799 dB