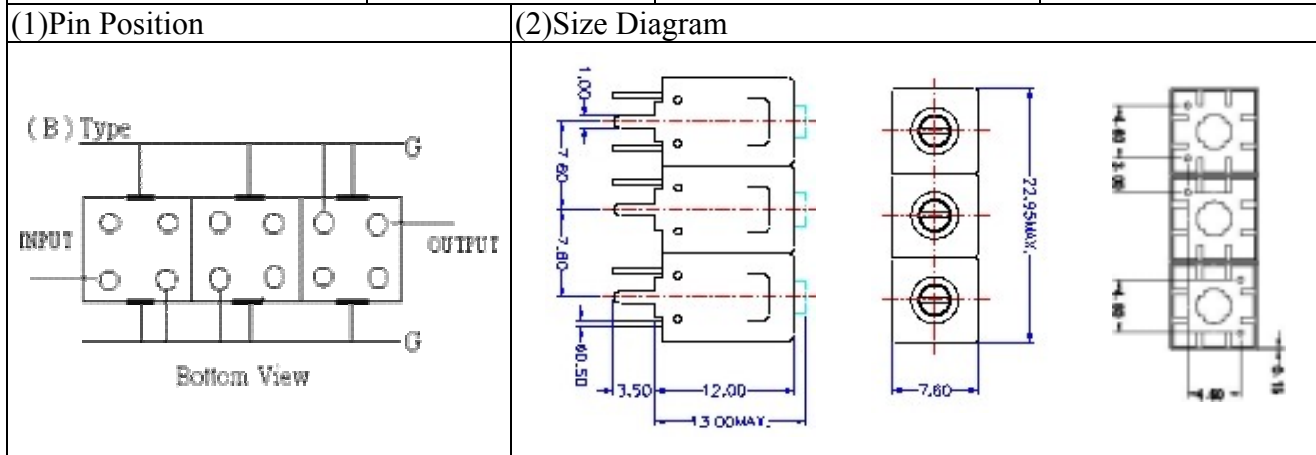


VHF UHF Helical Filter Specification Sheet

Customer Name		Temwell's Part No.	TT6829B-195M
Approval No. /dated	0801084APR	Customer's Print Name.	6829B 195M
Work Instruction No.	0801084CD	Date	Mar.28.2008



(3) Electric Charasteric

Item	Specify	
Center Freq.(Fo) +/- 0.5 %	195	MHz
Insertion Loss	Typ. 4.5	dB
-3 dB Bandwidth	Typ. 5	MHz
Sensitivity (Attenuation)	Fo - 30 MHz	Typ. 60 dBc
	Fo + 30 MHz	Typ. 60 dBc
	Fo - ()MHz	Typ. dBc
	Fo +()MHz	Typ. dBc
Return Loss	Min. 12	dB
Ripple	< 1	dB
Impedance	In / Out : 50 Ω	

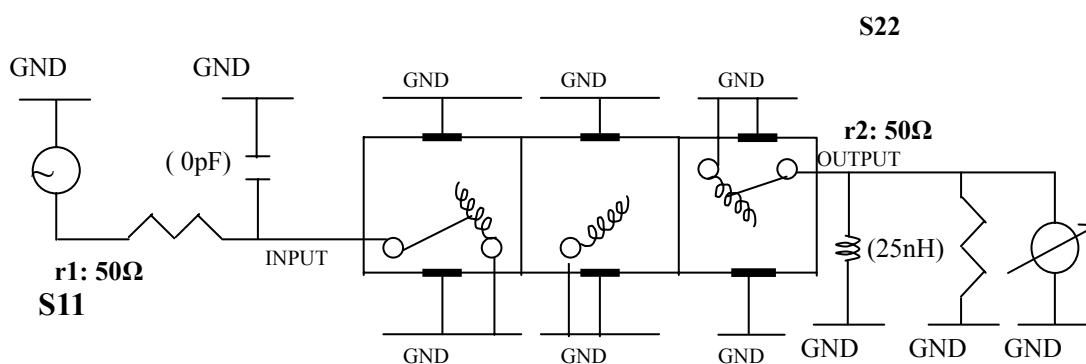
(4) Torque for Tuning Screw > 100gf cm

(5) Temperature Condition:

Operating Temperature	0 ~ +60
Storage Temperature	-20 ~ +70

(6) Input Power > 1 Watt

(7) Measuring Circuit: Easy to match Impedance S11/S22 50Ω by parallel with about(0pF) / (25nH).



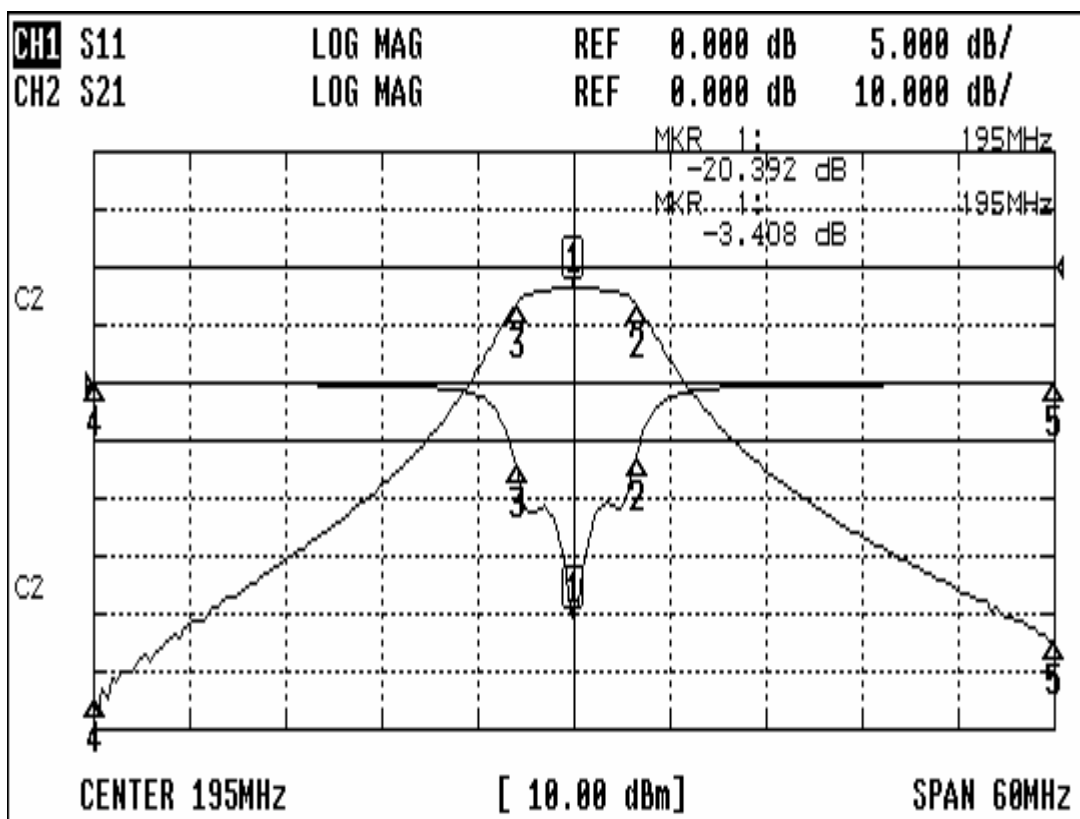
(Bottom View)

Approval	Supervisor	Designer	Aperture size
C.Y.Chang	C.S.Chang	Y.H.Chuan	7H3(4*5.5F)*(4.0B) 7H024LB4

TEMWELL CORPORATION

Performance-TT6829B-195M

0801084CD



CH1 MARKER LIST

1:	195.000MHz	-20.392 dB
2:	198.900MHz	-6.546 dB
3:	191.400MHz	-7.173 dB
4:	165.000MHz	-0.085 dB
5:	225.000MHz	-0.109 dB

CH2 MARKER LIST

1:	195.000MHz	-3.408 dB
2:	198.900MHz	-6.408 dB
3:	191.400MHz	-6.460 dB
4:	165.000MHz	-76.226 dB
5:	225.000MHz	-64.974 dB