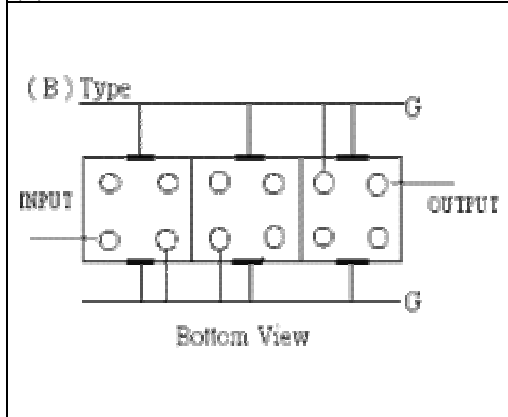


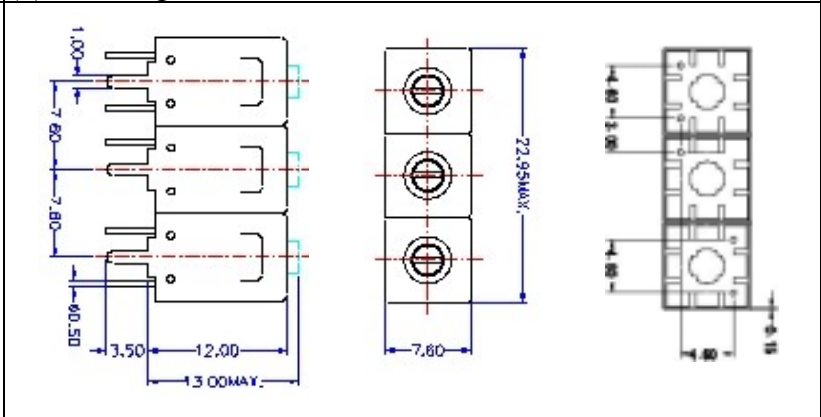
VHF UHF Helical Filter Specification Sheet

Customer Name		Temwell's Part No.	TT6829B-220M
Approval No. /dated	0801086APR	Customer's Print Name.	6829B 220M
Work Instruction No.	0801086CD	Date	Mar.24.2008

(1) Pin Position



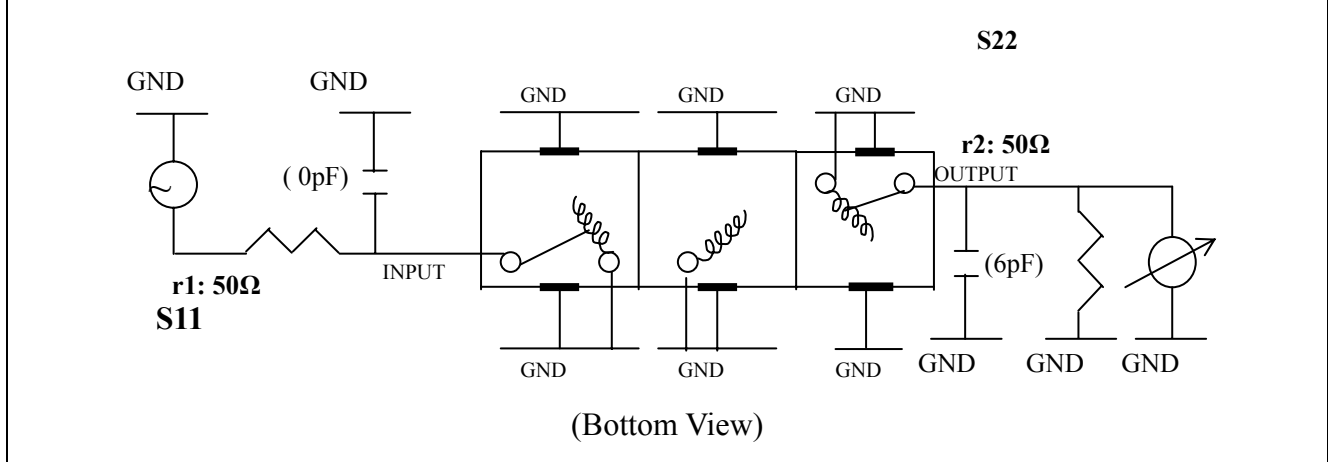
(2) Size Diagram



(3) Electric Charasteric

Item	Specify
Center Freq.(Fo) +/- 0.5 %	220 MHz
Insertion Loss	Typ. 4.0 dB
-3 dB Bandwidth	Typ. 5 MHz
Sensitivity (Attenuation)	Fo - 10 MHz Typ. 24 dBc
	Fo + 10 MHz Typ. 22 dBc
	Fo - ()MHz Typ. dBc
	Fo +()MHz Typ. dBc
Return Loss	Min. 12 dB
Ripple	< 1 dB
Impedance	In / Out : 50 Ω
(4)Torque for Tuning Screw	> 100gf cm
(5)Temperature Condition:	
Operating Temperature	0 ~ +60
Storage Temperature	-20 ~ +70
(6)Input Power	> 1Watt

(7)Measuring Circuit: Easy to match Impedance S11/S22 50Ωby parallel with about(0pF) / (6pF).

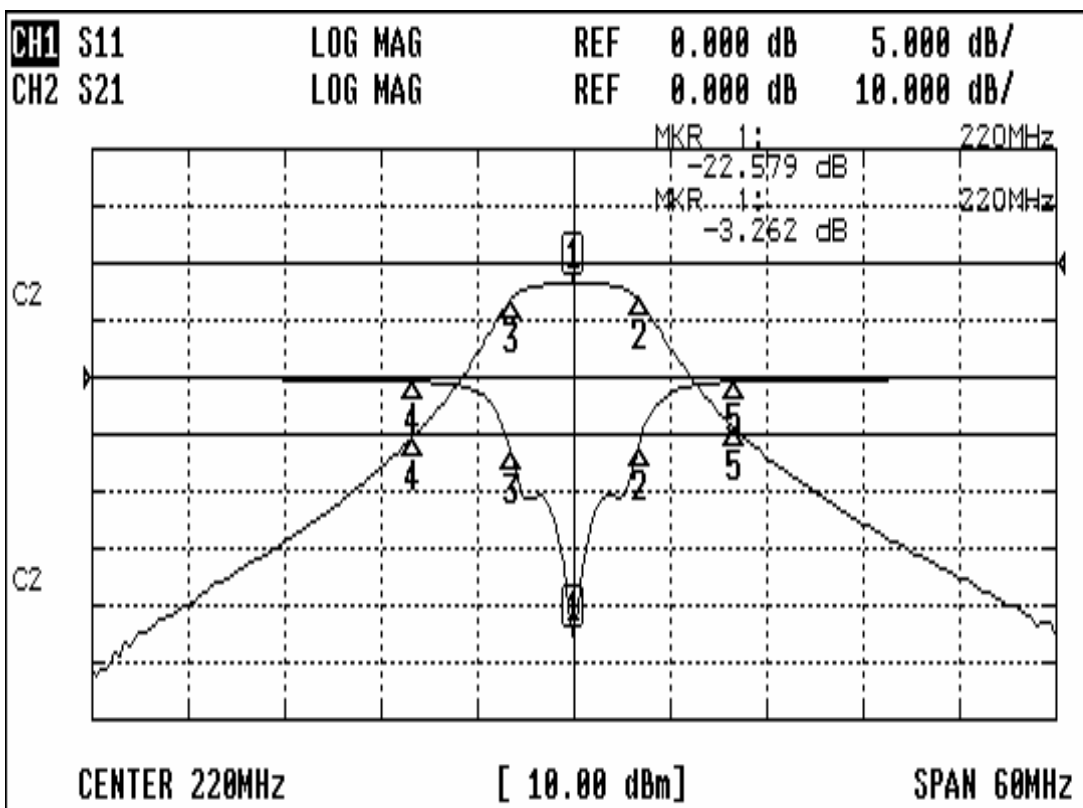


Approval	Supervisor	Designer	Aperture size
C.Y.Chang	C.S.Chang	Y.H.Chuan	7H3(4*5.5F)*(4.0B) 7H024LB4

TEMWELL CORPORATION

Performance-TT6829B-220M

0801086CD



CH1 MARKER LIST

1:	220.000MHz	-22.579 dB
2:	224.040MHz	-6.245 dB
3:	216.140MHz	-6.615 dB
4:	210.000MHz	-0.350 dB
5:	230.000MHz	-0.368 dB
6:		
7:		
8:		
9:		
10:		

CH2 MARKER LIST

1:	220.000MHz	-3.262 dB
2:	224.040MHz	-6.252 dB
3:	216.140MHz	-6.257 dB
4:	210.000MHz	-30.526 dB
5:	230.000MHz	-28.826 dB
6:		
7:		
8:		
9:		
10:		