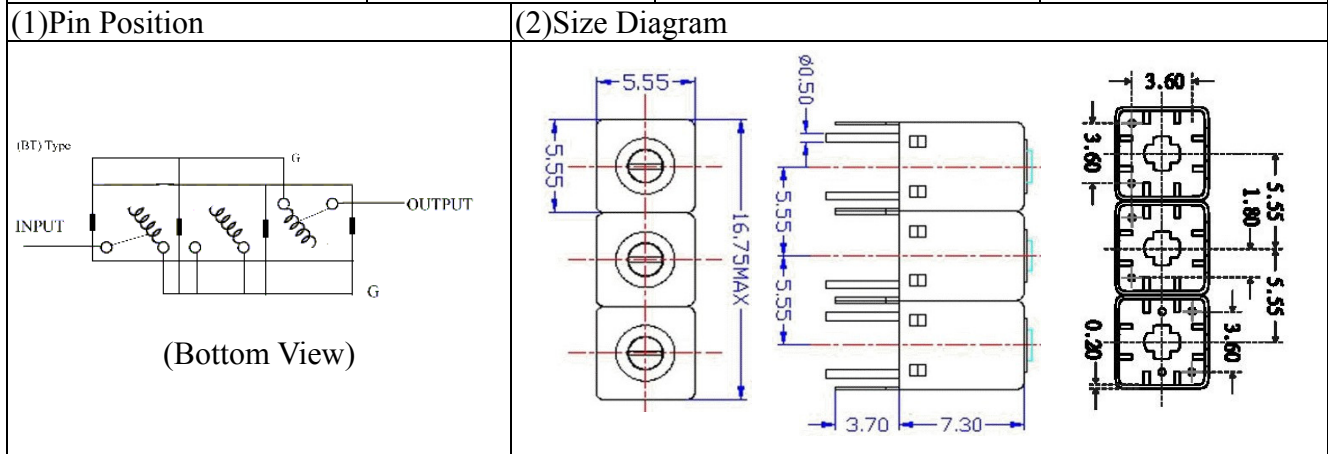
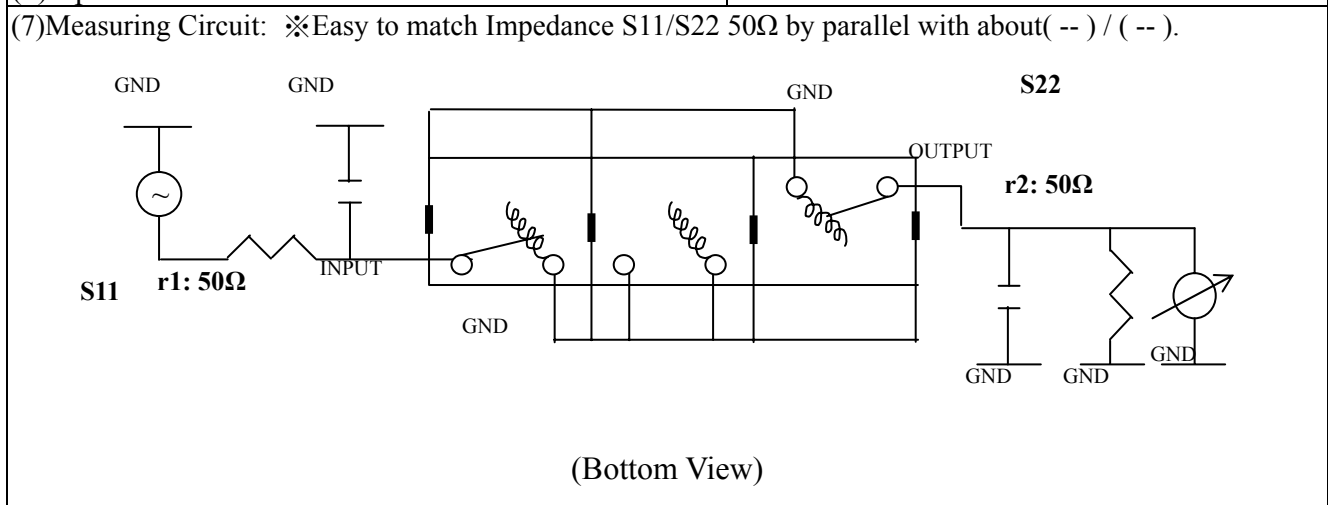


VHF UHF Helical Filter Specification Sheet

Customer Name		Temwell's Part No.	TTR3910BT-300M
Approval No. /dated		Temwell,s print name	3910BT 300M
Work Instruction No.	201110024A	Date	Oct.24.2011



(3)Electric Charasteric	
Item	Specify
Center Freq.(Fo) +/- 0.75 %	300 MHz
Insertion Loss	Typ. 5.0 dB
-3 dB Bandwidth	Typ. 9 MHz
Sensitivity (Attenuation)	Fo - 50 MHz Typ. 34 dBc
	Fo + 50 MHz Typ. 22 dBc
	Fo - ()MHz Typ. dBc
	Fo +()MHz Typ. dBc
Return Loss	Min. 12 dB
Ripple	< 1 dB
Impedance	In / Out : 50 Ω
(4)Torque for Tuning Screw	
> 60gf • cm	
(5)Temperature Condition:	
Operating Temperature	-20°C ~ +70°C
Storage Temperature	-30°C ~ +80°C
(6)Input Power	
> 0.5Watt	

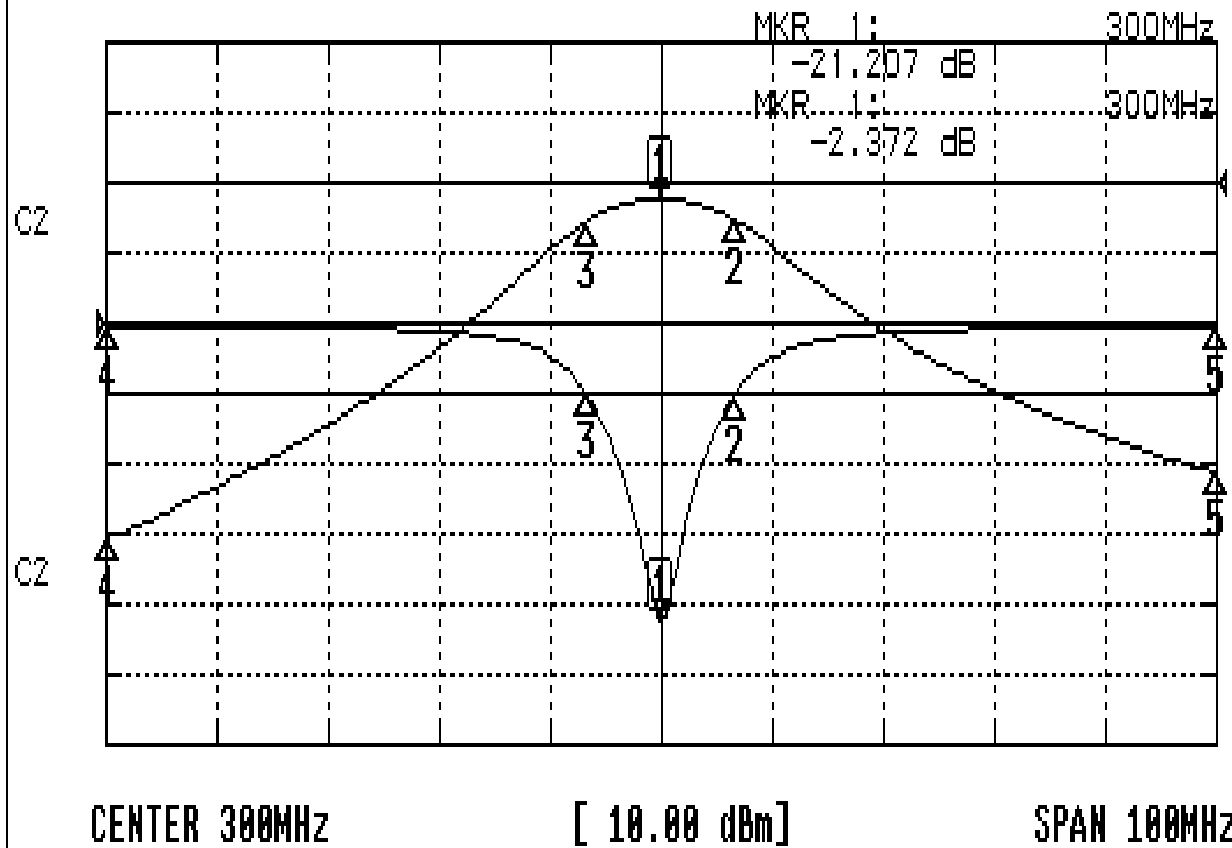


Approval	Supervisor	Designer	Aperture size
C.Y.Chang	C.K.Chang	P.H.Chiang	5R3S(3.8*3.65)(3.70) 5HW020RB3.5
TEMWELL CORPORATION			

Performance-TTR3910BT-300M

201110024A

CH1 S11 LOG MAG REF 0.000 dB 5.000 dB/
CH2 S21 LOG MAG REF 0.000 dB 10.000 dB/



CH1 MARKER LIST

1:	300.000MHz	-21.207 dB
2:	306.666MHz	-5.062 dB
3:	293.333MHz	-5.009 dB
4:	250.000MHz	-0.195 dB
5:	350.000MHz	-0.258 dB
6:		
7:		
8:		
9:		
10:		

CH2 MARKER LIST

1:	300.000MHz	-2.372 dB
2:	306.666MHz	-5.310 dB
3:	293.333MHz	-5.358 dB
4:	250.000MHz	-50.828 dB
5:	350.000MHz	-41.313 dB
6:		
7:		
8:		
9:		
10:		