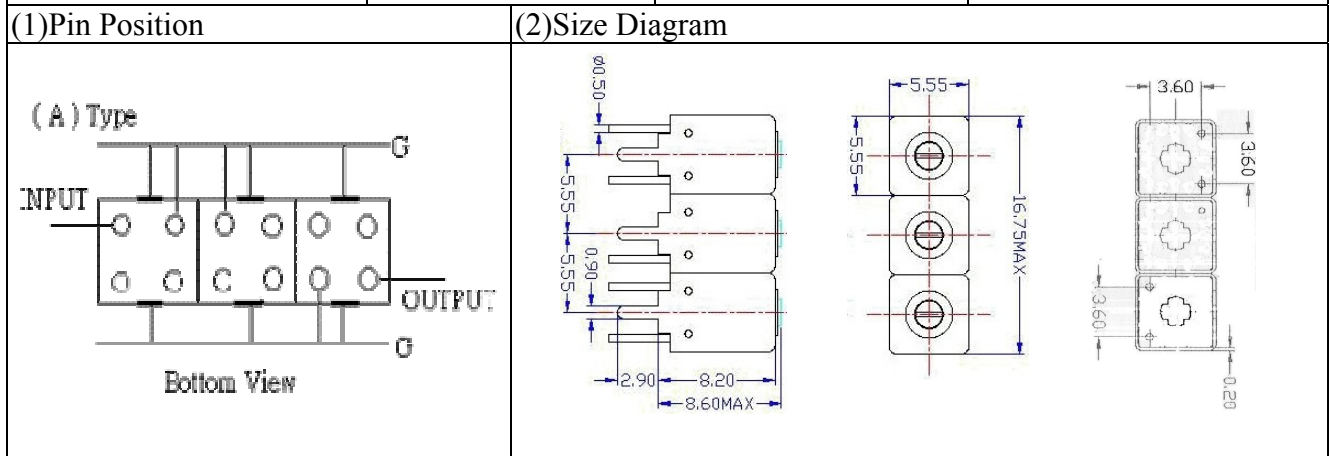
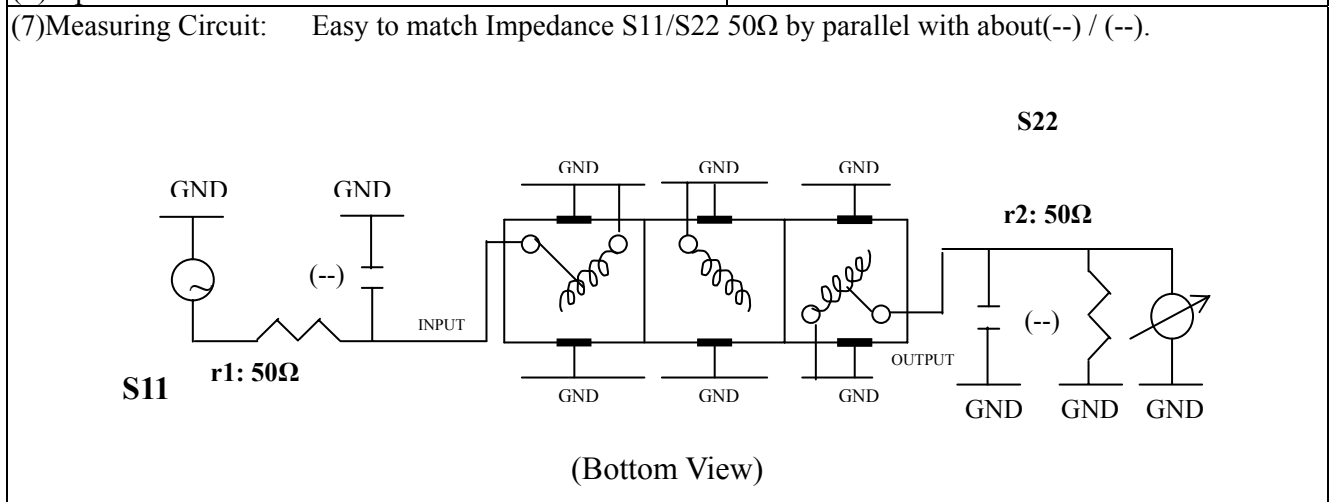


VHF UHF Helical Filter Specification Sheet

Customer Name		Temwell's Part No.	TTW3433A-420M
Approval No. /dated		Temwell's Print Name.	3433A 420M
Work Instruction No.	201010080CD	Date	Oct.20.2010



(3) Electric Charasteric		Item	Specify
Center Freq.(Fo) +/- 0.5 %			420 MHz
Insertion Loss		Typ	3.0 dB
-3 dB Bandwidth		Typ.	17 MHz
Sensitivity (Attenuation)	Fo - 50 MHz	Typ.	42 dBc
	Fo +50 MHz	Typ.	34 dBc
	Fo - ()MHz	Typ.	dBc
	Fo +()MHz	Typ.	dBc
Return Loss		Min.	12 dB
Ripple			< 1 dB
Impedance			In / Out :50Ω
(4)Torque for Tuning Screw			> 60gf cm
(5)Temperature Condition:			
Operating Temperature			0 ~ +60
Storage Temperature			-20 ~ +70
(6)Input Power			>0.5Watt



Approval	Supervisor	Designer	Aperture size
C.Y.Chang	C.K.Chang	C.S.Chang	5W3S(3.8*4.5)(4.58) 5HW024RB3
TEMWELL CORPORATION			

Performance-TTW3433A-420M

201010080CD

