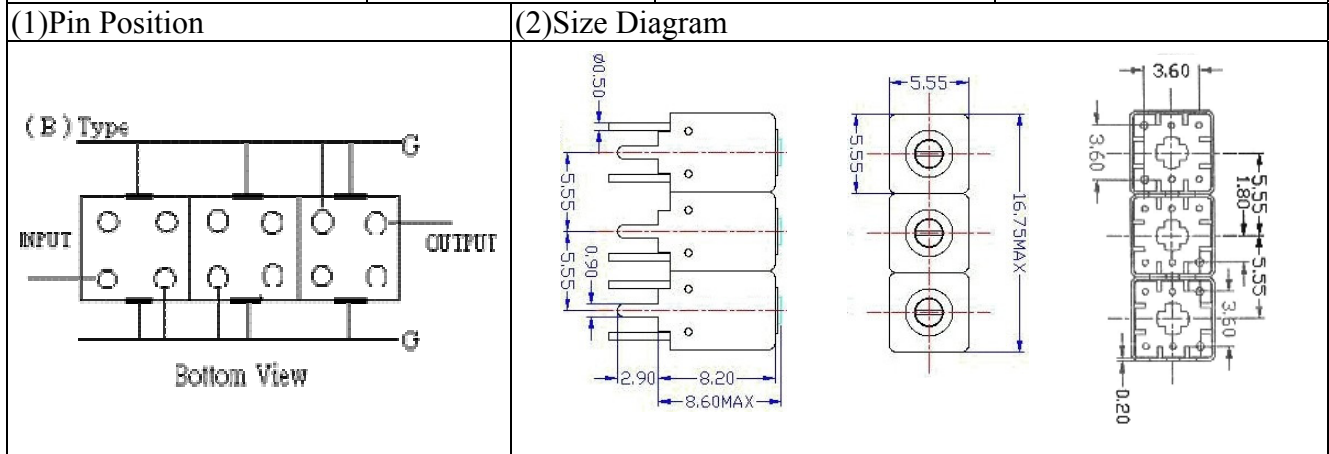
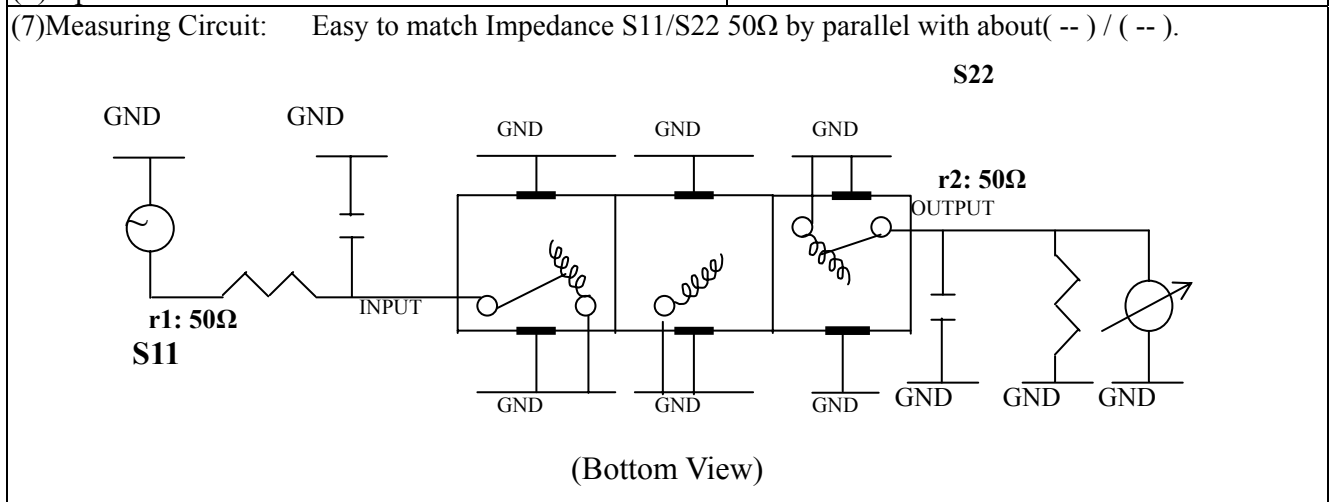


VHF UHF Helical Filter Specification Sheet

Customer Name		Temwell's Part No.	TTW3630B-435M
Approval No. /dated	20411110DB	Temwell's Print Name.	3630B 435M
Work Instruction No.	201107076C	Date	Oct.11.2011



(3) Electric Character	
Item	Specify
Center Freq.(Fo) +/- 0.5 %	435 MHz
Insertion Loss	Typ. 4.0 dB
-3 dB Bandwidth	Typ. 26 MHz
Sensitivity (Attenuation)	Fo - 140 MHz Typ. 55 dBc
	Fo + 140 MHz Typ. 55 dBc
	Fo - ()MHz Typ. dBc
	Fo +()MHz Typ. dBc
Return Loss	Min. 12 dB
Ripple	< 1 dB
Impedance	In / Out : 50 Ω
(4) Torque for Tuning Screw	> 60gf cm
(5) Temperature Condition:	
Operating Temperature	0 ~ +60
Storage Temperature	-20 ~ +70
(6) Input Power	> 0.5Watt



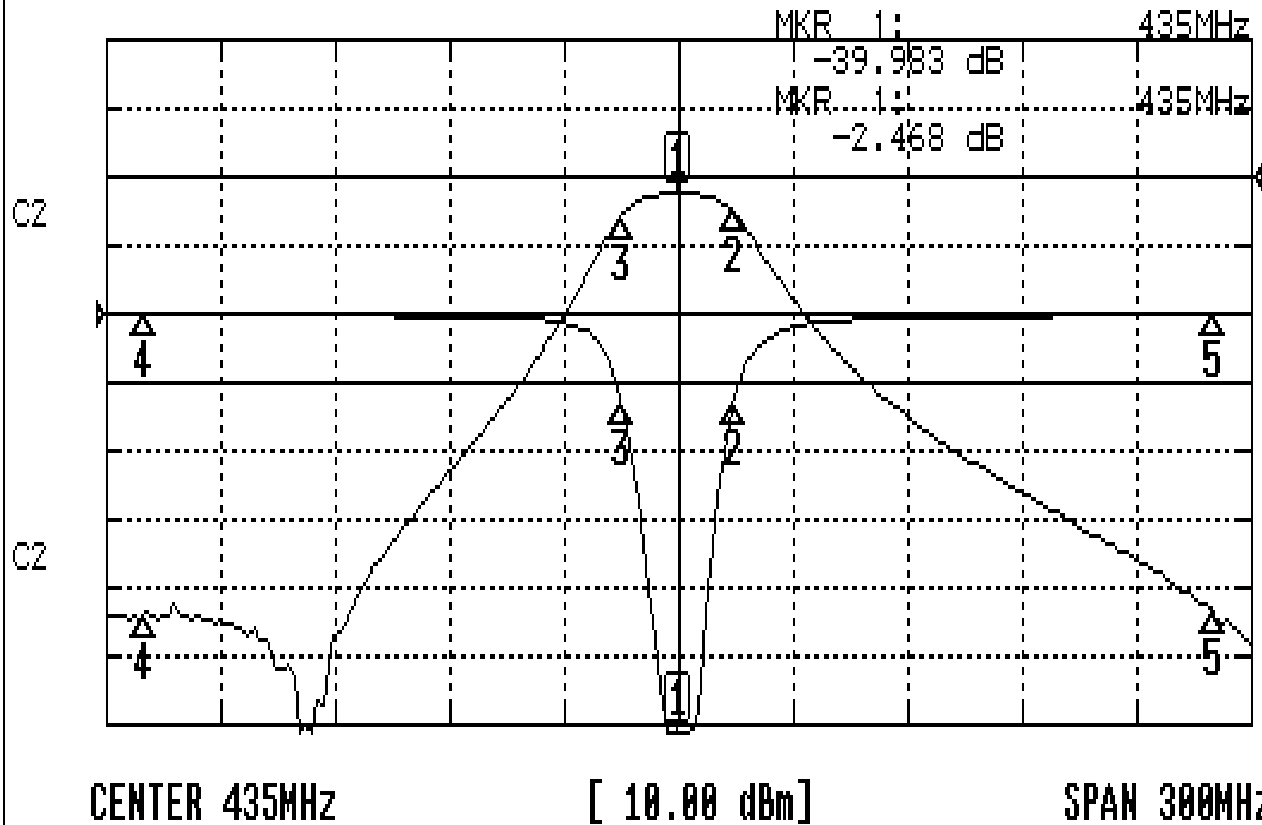
Approval C.Y.Chang	Supervisor C.K.Chang	Designer P.H.Chiang	Aperture size 5W3S(3.8*5.1)(5.12) 5HW024LB3
-----------------------	-------------------------	------------------------	---

TEMWELL CORPORATION

Performance-TTW3630B-435M

201107076C

CH1 S11 LOG MAG REF 0.000 dB 5.000 dB/
CH2 S21 LOG MAG REF 0.000 dB 10.000 dB/



CH1 MARKER LIST

1	435.000MHz	-39.983 dB
2	449.750MHz	-2.468 dB
3	420.250MHz	-6.490 dB
4	295.000MHz	-0.128 dB
5	575.000MHz	-0.085 dB

CH2 MARKER LIST

1	435.000MHz	-2.468 dB
2	449.750MHz	-5.402 dB
3	420.250MHz	-5.439 dB
4	295.000MHz	-63.836 dB
5	575.000MHz	-63.207 dB