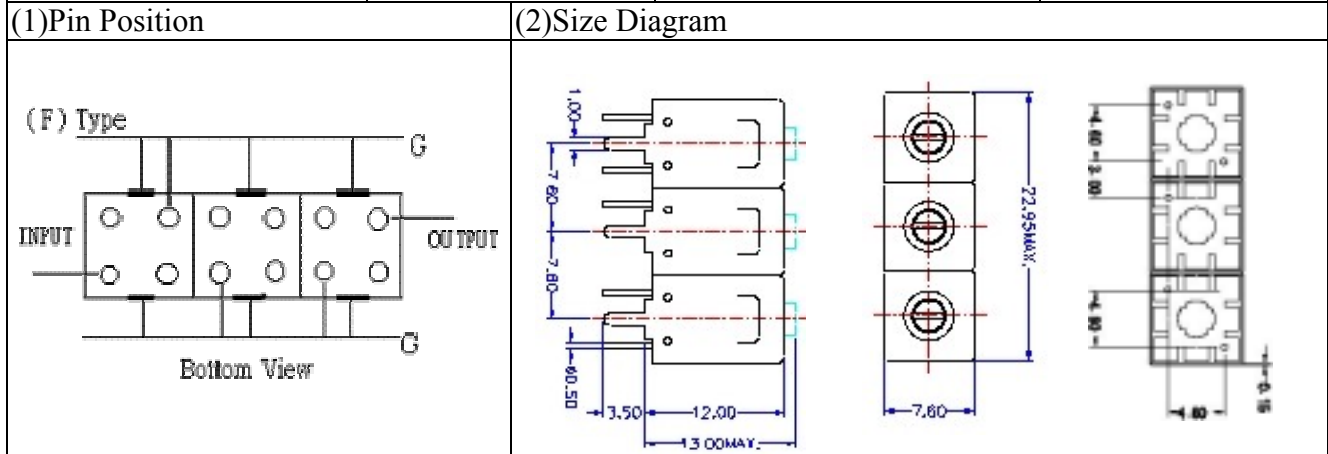


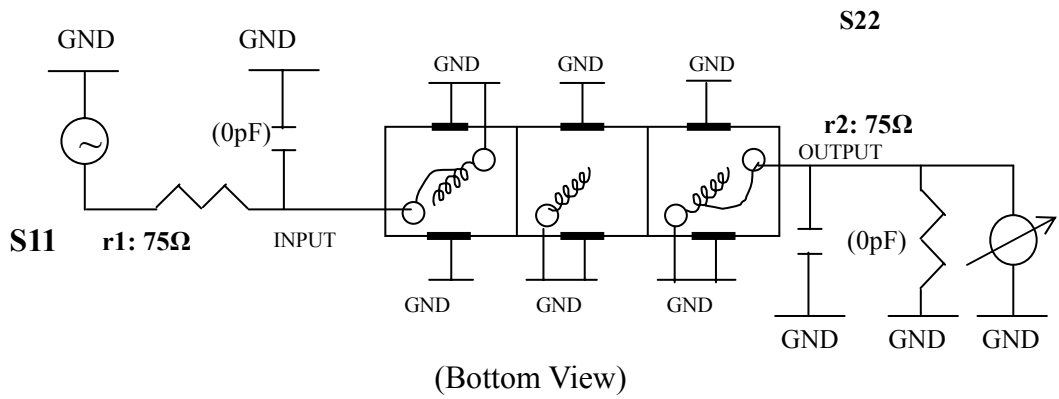
# VHF UHF Helical Filter Specification Sheet

Customer Name		Temwell's Part No.	TTL63205F-858M
Approval No. /dated	0810065APR	Temwell's Print Name	63205F 858M
Work Instruction No.	200810065BD	Date	Oct.20.2008



(3)Electric Charasteric		Item	Specify
Center Freq.(Fo ) +/- 0.5 %			858 MHz
Tunable Range:			858±15 MHz
Insertion Loss		Typ.	5.0 dB
-3 dB Bandwidth		Typ.	8 MHz
Sensitivity (Attenuation )	Fo - 20 MHz	Typ.	26 dB
	Fo + 20 MHz	Typ.	22 dB
	Fo - ( )MHz	Typ.	dB
	Fo +( )MHz	Typ.	dB
Return Loss		Min.	12 dB
Ripple			< 1 dB
Impedance			In / Out : 75 Ω
(4)Torque for Tuning Screw			> 100gf cm
(5)Temperature Condition:			
Operating Temperature			0 ~ +60
Storage Temperature			-20 ~ +70
(6)Input Power			> 1Watt

(7)Measuring Circuit: Easy to match Impedance S11/S22 75Ω by parallel with about( 0pF) / (0pF).



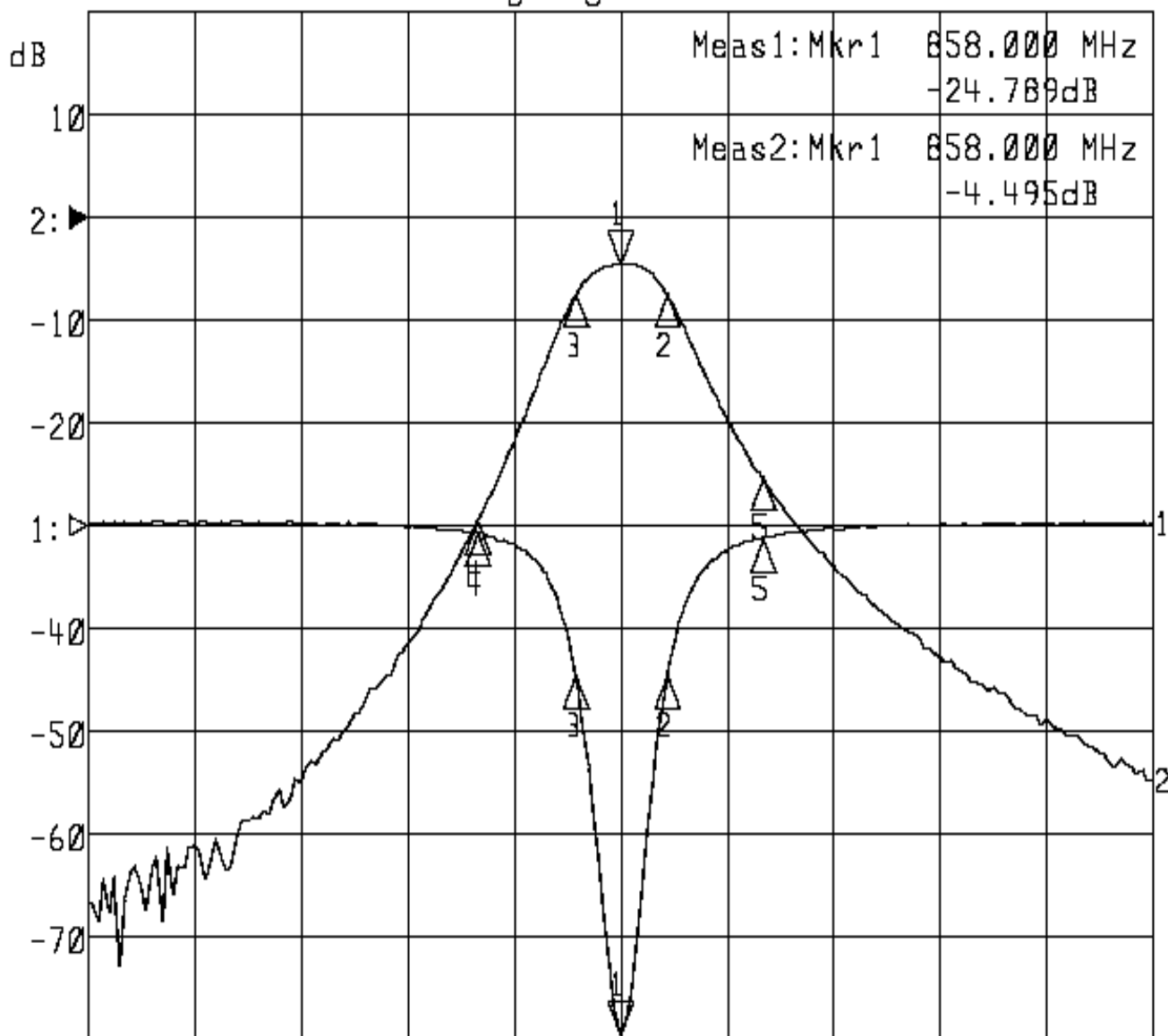
Approval	Supervisor	Designer	Aperture size
C.Y.Chang	C.S.Chang	Y.H.Yeh	7H3S(4*4.5F) (7H046LB4 聚 3)

TEMWELL CORPORATION

# Performance-TTL63205F-858M

## 200810065BD

▶1:S11 Refl Port1 Log Mag 5.0 dB/ Ref 0.00 dB C  
▶2:S21 Fwd Trans Log Mag 10.0 dB/ Ref 0.00 dB C



Center 858.000 MHz

Span 150.000 MHz

1: Mkr (MHz)	dB	2: Mkr (MHz)	dB
1> 858.0000	-24.789	1> 858.0000	-4.495
2: 864.6000	-7.306	2: 864.6000	-7.473
3: 851.7000	-7.297	3: 851.7000	-7.485
4: 838.0000	-0.372	4: 838.0000	-29.413
5: 878.0000	-0.576	5: 878.0000	-25.295