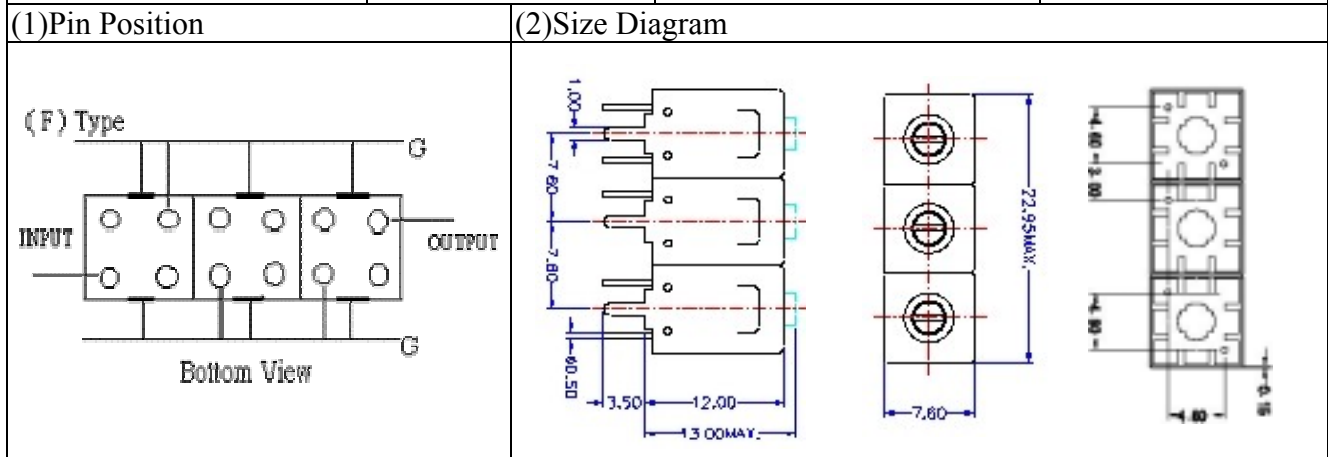
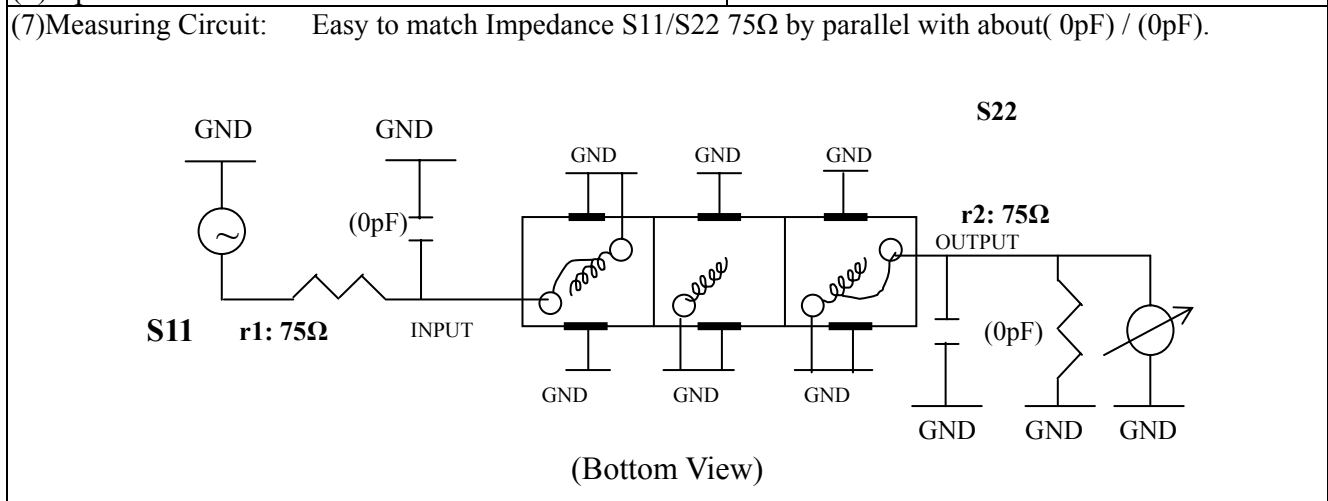


VHF UHF Helical Filter Specification Sheet

Customer Name		Temwell's Part No.	TTL6325F-545M
Approval No. /dated	0711100APR	Temwell's print name	6325F 545M
Work Instruction No.	0711100C	Date	Dec.24.2007



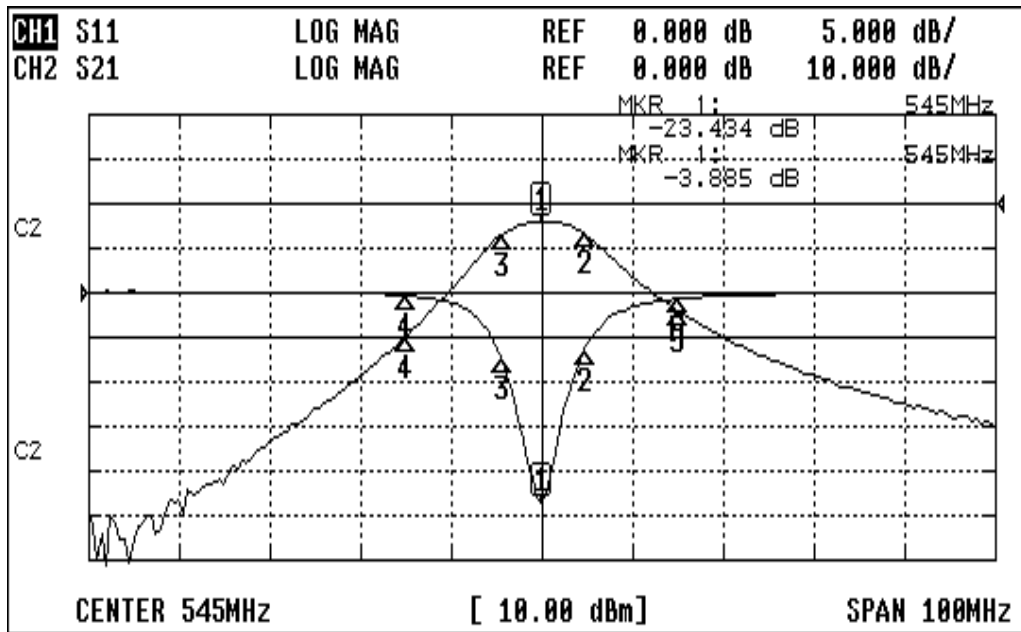
(3) Electric Characteristic		Item	Specify
		Center Freq.(Fo) +/- 0.5 %	545 MHz
		Tunable Range:	545±5 MHz
		Insertion Loss	Typ. 6.0 dB
		-3 dB Bandwidth	Typ. 6 MHz
Sensitivity (Attenuation)	Fo - 15 MHz	Typ.	30 dB
	Fo + 15 MHz	Typ.	25 dB
	Fo - ()MHz	Typ.	dB
	Fo +()MHz	Typ.	dB
		Return Loss	Min. 12 dB
		Ripple	< 1 dB
		Impedance	In / Out : 75 Ω
(4) Torque for Tuning Screw		> 60gf cm	
(5) Temperature Condition:			
Operating Temperature		0 ~ +60	
Storage Temperature		-20 ~ +70	
(6) Input Power		> 1Watt	



Approval	Supervisor	Designer	Aperture size
C.Y.Chang	C.S.Chang	J.F.Lin	7H3(4*4.65)F 7H046LB4 聚 3
TEMWELL CORPORATION			

Performance-TTL6325F-545M

0711100C



CH1 MARKER LIST

1:	545.000MHz	-23.434	dB
2:	545.750MHz	-16.434	dB
3:	546.666MHz	-7.913	dB
4:	550.000MHz	-2.913	dB
5:	560.000MHz	-24.007	dB
6:			
7:			
8:			
9:			
10:			

CH2 MARKER LIST

1:	545.000MHz	-3.885	dB
2:	545.750MHz	-16.434	dB
3:	546.666MHz	-7.913	dB
4:	550.000MHz	-2.913	dB
5:	560.000MHz	-24.007	dB
6:			
7:			
8:			
9:			
10:			