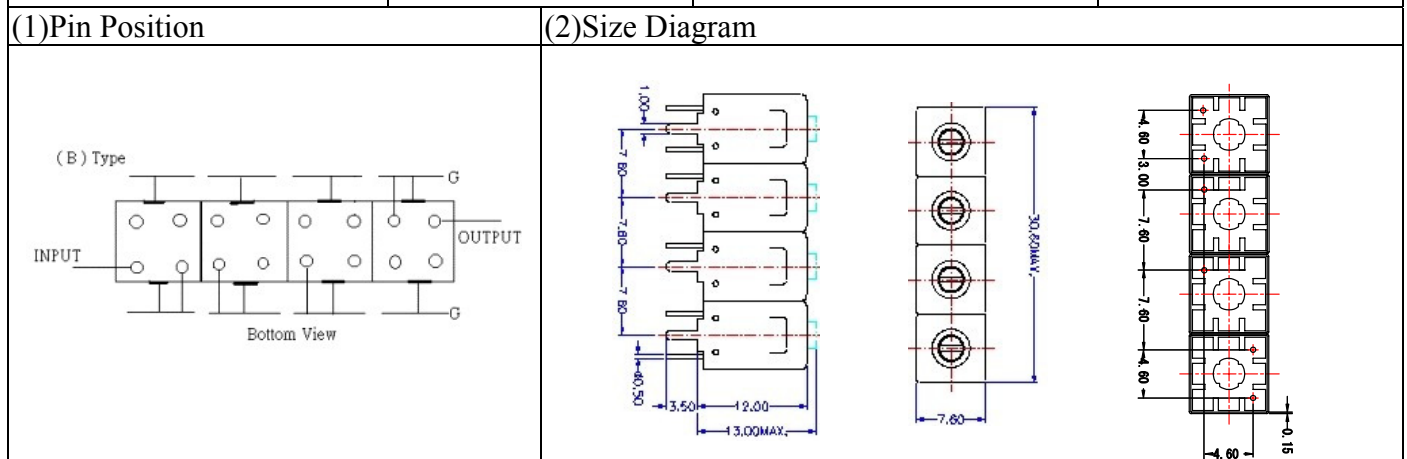


VHF UHF Helical Filter Specification Sheet

Customer Name		Temwell's Part No.	TF64348B-375M
Approval No. /dated		Temwell's Print Name	64348B 375M
Work Instruction No.	201504054C	Date	Jun.29.2015



(3) Electric Characteristic

Item	Specify	
Center Freq.(Fo) +/- 0.5 %	375	MHz
Insertion Loss	Typ. 2.0	dB
-3 dB Bandwidth	Typ. 100	MHz
Sensitivity (Attenuation)	Fo - 100 MHz	Typ. 38 dBc
	Fo + 100 MHz	Typ. 20 dBc
	Fo - ()MHz	Typ. dBc
	Fo +()MHz	Typ. dBc
Return Loss	Min. 12	dB
Ripple	< 1	dB
Impedance	In / Out : 50 Ω	

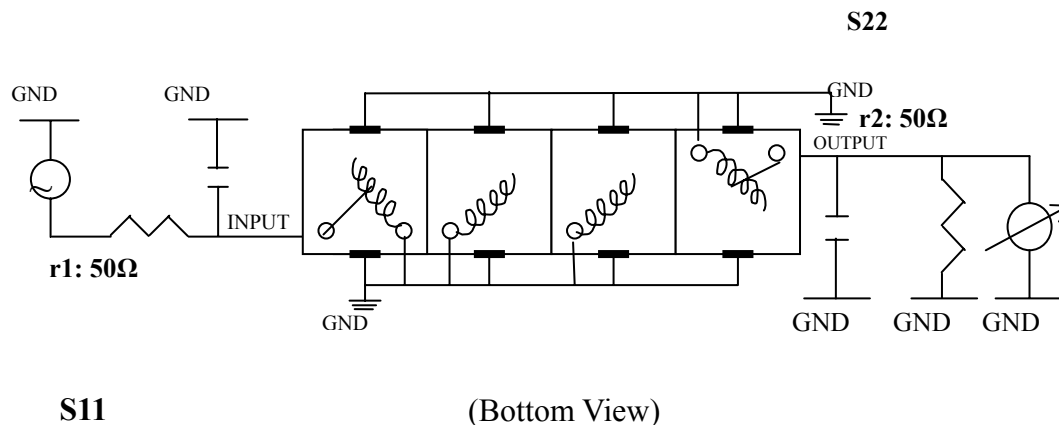
(4) Torque for Tuning Screw > 60gf · cm

(5) Temperature Condition:

Operating Temperature	0°C ~ +60°C
Storage Temperature	-20°C ~ +70°C

(6) Input Power > 1Watt

(7) Measuring Circuit: ※Easy to match Impedance S11/S22 50Ω by parallel with about(- -).

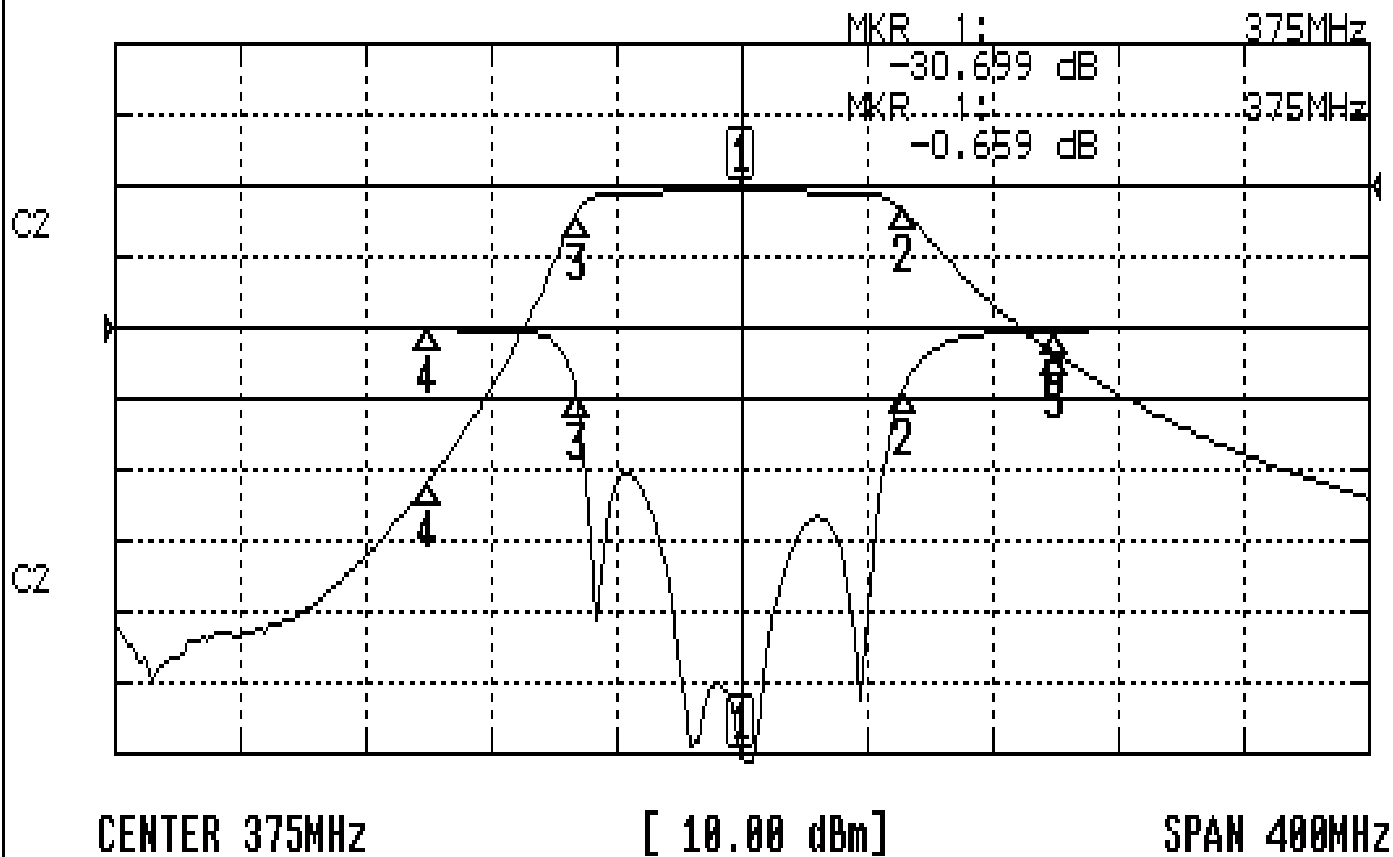


Approval	Supervisor	Designer	Aperture size
C.Y.Chang	C.K.Chang	C.S.Chang	7H4S(4*8.0)(8.01) 7H046RB6.5
TEMWELL CORPORATION			

Performance-TF64348B-375M

201504054C

CH1 S11 LOG MAG REF 0.000 dB 5.000 dB/
CH2 S21 LOG MAG REF 0.000 dB 10.000 dB/



CH1 MARKER LIST

1:	375.000MHz	-30.699 dB
2:	426.666MHz	-4.436 dB
3:	322.666MHz	-5.035 dB
4:	275.000MHz	-0.120 dB
5:	475.000MHz	-0.195 dB

CH2 MARKER LIST

1:	375.000MHz	-0.659 dB
2:	426.666MHz	-3.624 dB
3:	322.666MHz	-3.654 dB
4:	275.000MHz	-41.754 dB
5:	475.000MHz	-23.694 dB