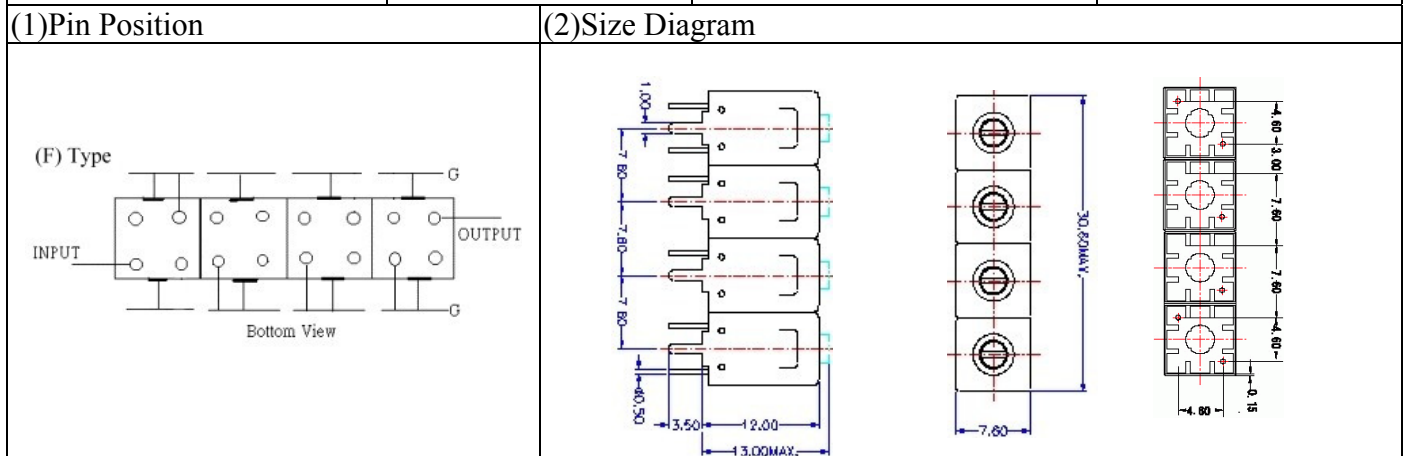
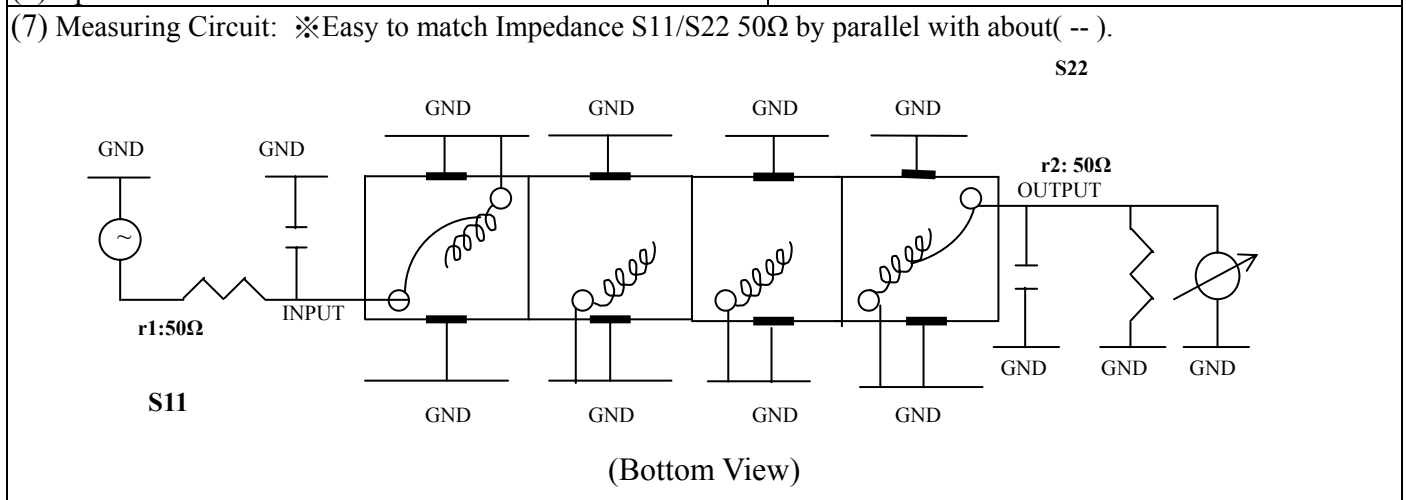


VHF UHF Helical Filter Specification Sheet

Customer Name		Temwell's Part No.	TF64362F-1300M
Approval No. /dated	0912056CD	Temwell's Print Name	64362F 1300M
Work Instruction No.	201504074CD	Date	Jul.06.2015



(3) Electric Chararistic		Item	Specify
		Center Freq.(Fo) +/- 0.5 %	1300 MHz
		Insertion Loss	Typ. 2.0 dB
		-3 dB Bandwidth	Typ. 200 MHz
Sensitivity (Attenuation)	Fo - (300) MHz	Typ. 51	dBc
	Fo + (300) MHz	Typ. 28	dBc
	Fo - () MHz	Typ.	dBc
	Fo +() MHz	Typ.	dBc
		Return Loss	Min. 12 dB
		Ripple	< 1 dB
		Impedance	In / Out : 50 Ω
(4) Torque for Tuning Screw		> 100gf · cm	
(5) Temperature Condition:			
Operating Temperature		0°C ~ +60°C	
Storage Temperature		-20°C ~ +70°C	
(6) Input Power		> 1Watt	



Approval	Supervisor	Designer	Aperture size
C.Y.Chang	C.K.Chang	C.S.Chang	7H4S(4*8.0)(8.02) 7H046RB6.5(J1)
TEMWELL CORPORATION			

Performance-TF64362F-1300M

201504074CD

Tr1 S11 Log Mag 5.000dB/ Ref 0.000dB [F2]
Tr2 S21 Log Mag 10.00dB/ Ref 0.000dB [F2]

