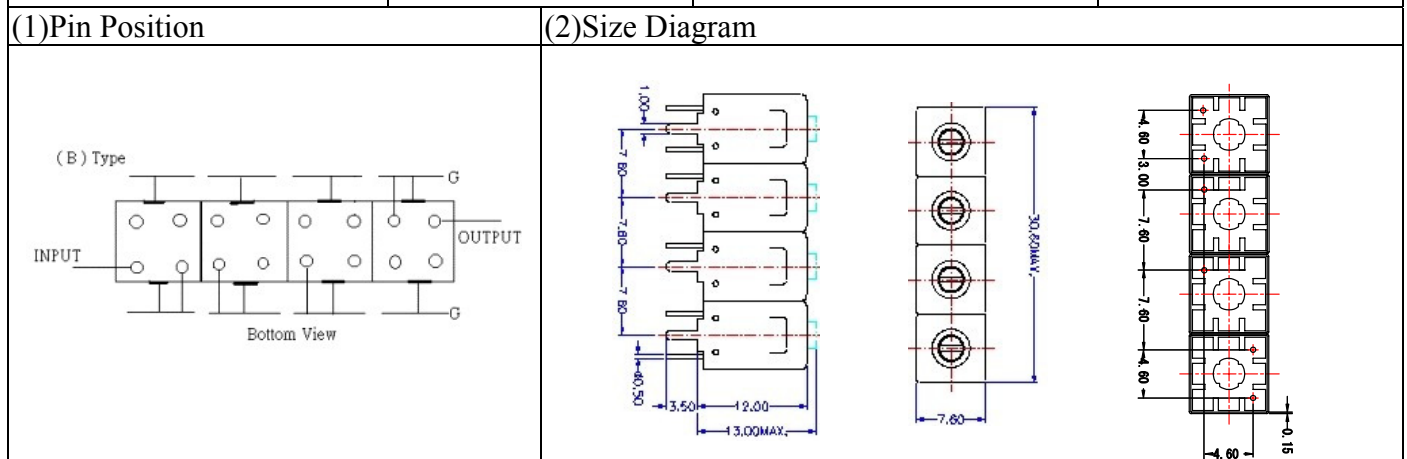


# VHF UHF Helical Filter Specification Sheet

Customer Name		Temwell's Part No.	TF64365B-1200M
Approval No. /dated		Temwell's Print Name	64365B 1200M
Work Instruction No.	201504073C	Date	Jun.26.2015



### (3) Electric Charasteric

Item	Specify	
Center Freq.(Fo) +/- 0.5 %	1200	MHz
Insertion Loss	Typ. 2.5	dB
-3 dB Bandwidth	Typ. 120	MHz
Sensitivity (Attenuation)	Fo - 150 MHz	Typ. 41 dBc
	Fo + 150 MHz	Typ. 24 dBc
	Fo - ( )MHz	Typ. dBc
	Fo +( )MHz	Typ. dBc
Return Loss	Min. 12	dB
Ripple	< 1	dB
Impedance	In / Out : 50 Ω	

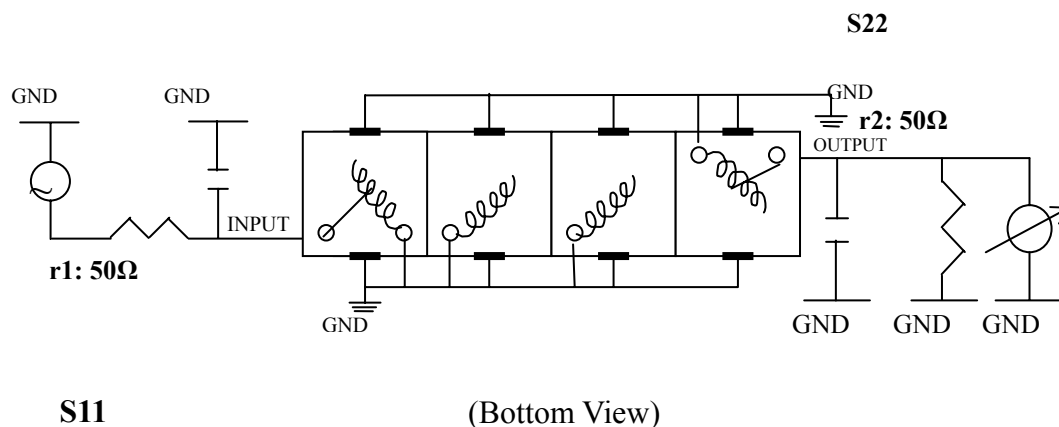
(4) Torque for Tuning Screw > 60gf · cm

(5) Temperature Condition:

Operating Temperature	0°C ~ +60°C
Storage Temperature	-20°C ~ +70°C

(6) Input Power > 1Watt

(7) Measuring Circuit: ※Easy to match Impedance S11/S22 50Ω by parallel with about(- -).

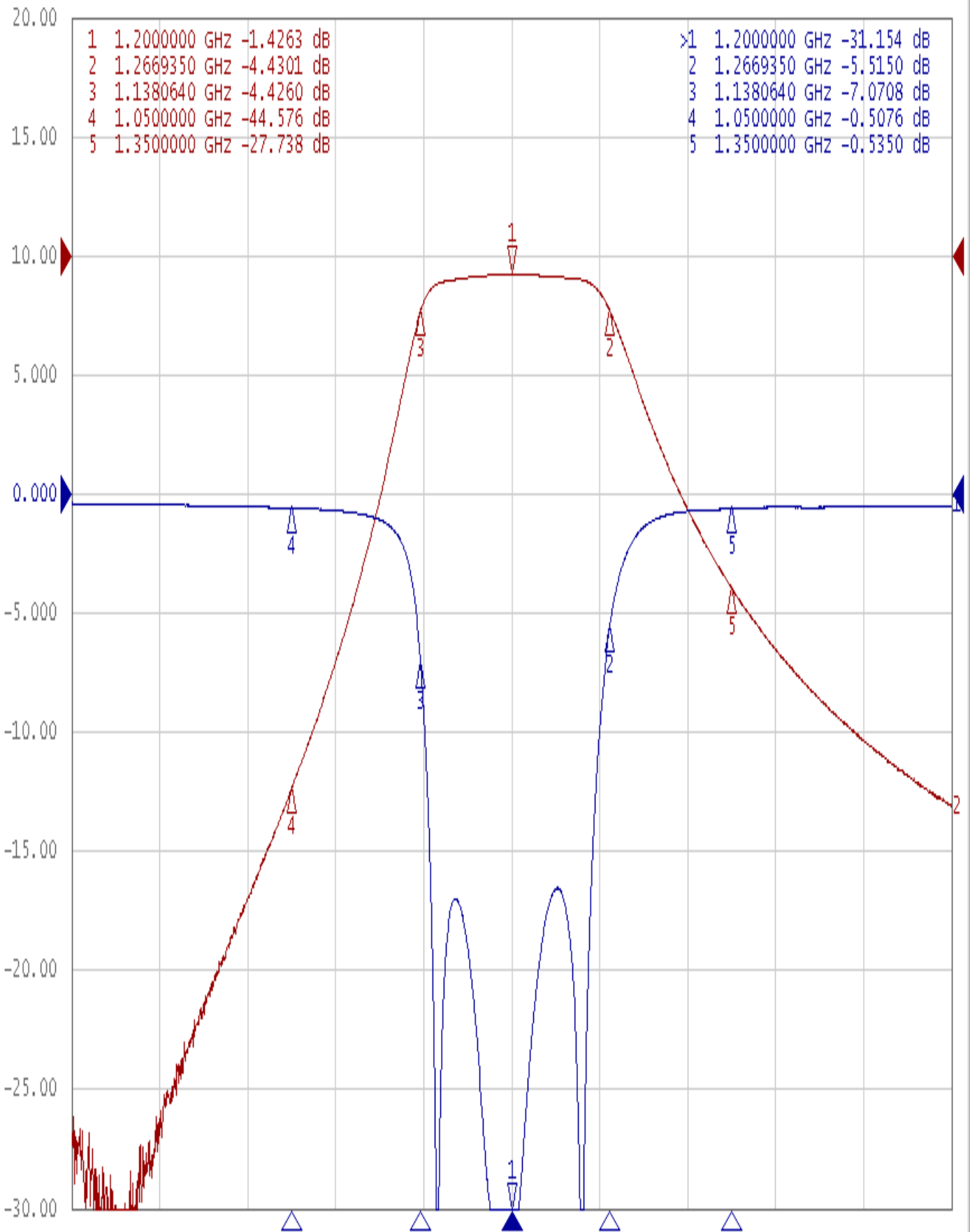


Approval	Supervisor	Designer	Aperture size
C.Y.Chang	C.K.Chang	C.S.Chang	7H4S(4*6.5)(6.56) 7H046RB6.5
TEMWELL CORPORATION			

# Performance-TF64365B-1200M

## 201504073C

Tr1 S11 Log Mag 5.000dB/ Ref 0.000dB [F2]  
Tr2 S21 Log Mag 10.00dB/ Ref 0.000dB [F2]



1 Center 1.2 GHz

IFBW 10 kHz

Span 600 MHz Cor |