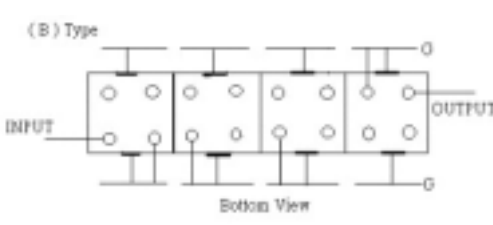
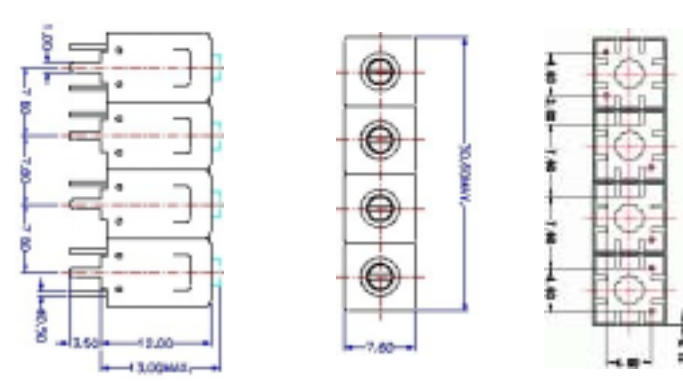
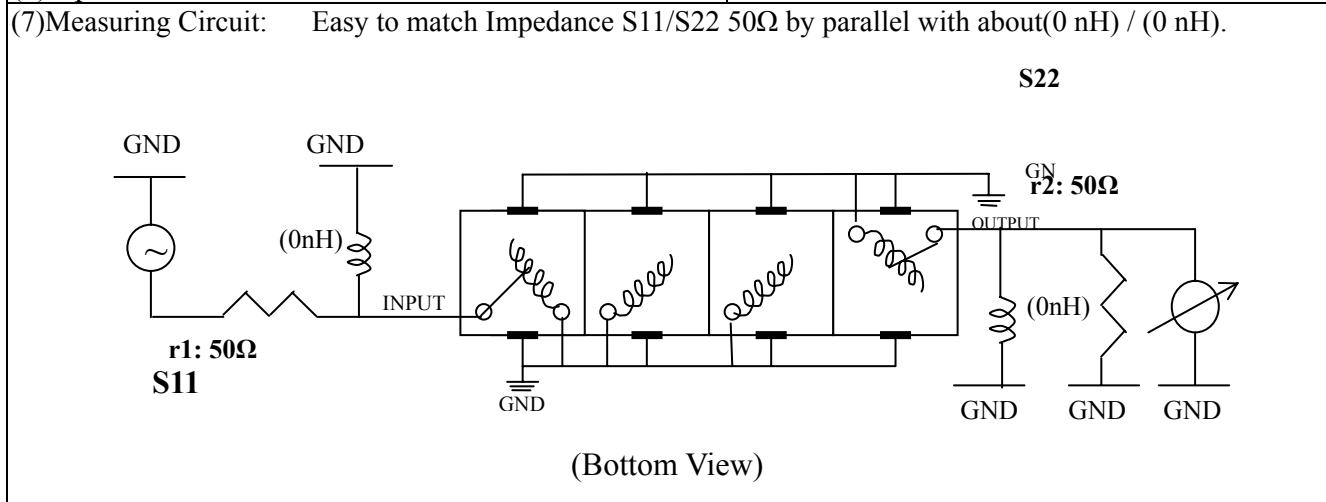


VHF UHF Helical Filter Specification Sheet

Customer Name		Temwell's Part No.	TF69182B-168M
Approval No. /dated	0902056C	Temwell's Print Name	69182B 168M
Work Instruction No.	200902056C	Date	Mar.05.2009

<p>(1) Pin Position</p>  <p style="text-align: center;">(B) Type Bottom View</p>	<p>(2) Size Diagram</p> 
---	--

(3) Electric Characteristic	
Item	Specify
Center Freq.(Fo) +/- 0.5 %	168 MHz
Insertion Loss	Typ. 4.0 dB
-3 dB Bandwidth	Typ 17 MHz
Sensitivity (Attenuation)	Fo - 20 MHz Typ. 27 dBc
	Fo + 20 MHz Typ. 22 dBc
	Fo - ()MHz Typ. dBc
	Fo +()MHz Typ. dBc
Return Loss	Min. 12 dB
Ripple	< 1 dB
Impedance	In / Out : 50 Ω
(4) Torque for Tuning Screw	
> 100gf cm	
(5) Temperature Condition:	
Operating Temperature	0 ~ +60
Storage Temperature	-20 ~ +70
(6) Input Power	
> 1Watt	

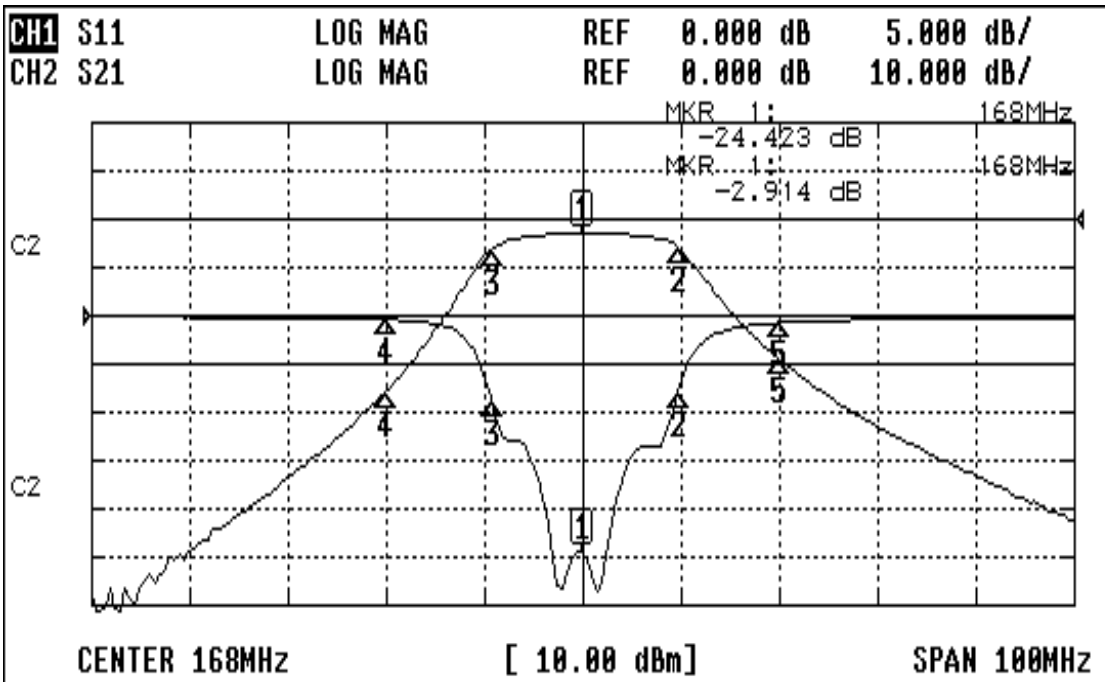


Approval C.Y.Chang	Supervisor C.K.Chang	Designer W.S.Chen	Aperture size 7H4S(4*4.65)(4.66) 7H00LB6
-----------------------	-------------------------	----------------------	--

TEMWELL CORPORATION

Performance-TF69182B-168M

200902056C



CH1 MARKER LIST

1	168.000MHz	-24.423	dB
2	177.750MHz	-9.002	dB
3	150.833MHz	-9.004	dB
4	140.000MHz	-0.000	dB
5	180.000MHz	-0.716	dB

CH2 MARKER LIST

1	168.000MHz	-2.914	dB
2	177.750MHz	-9.007	dB
3	150.833MHz	-9.007	dB
4	140.000MHz	-0.004	dB
5	180.000MHz	-0.500	dB