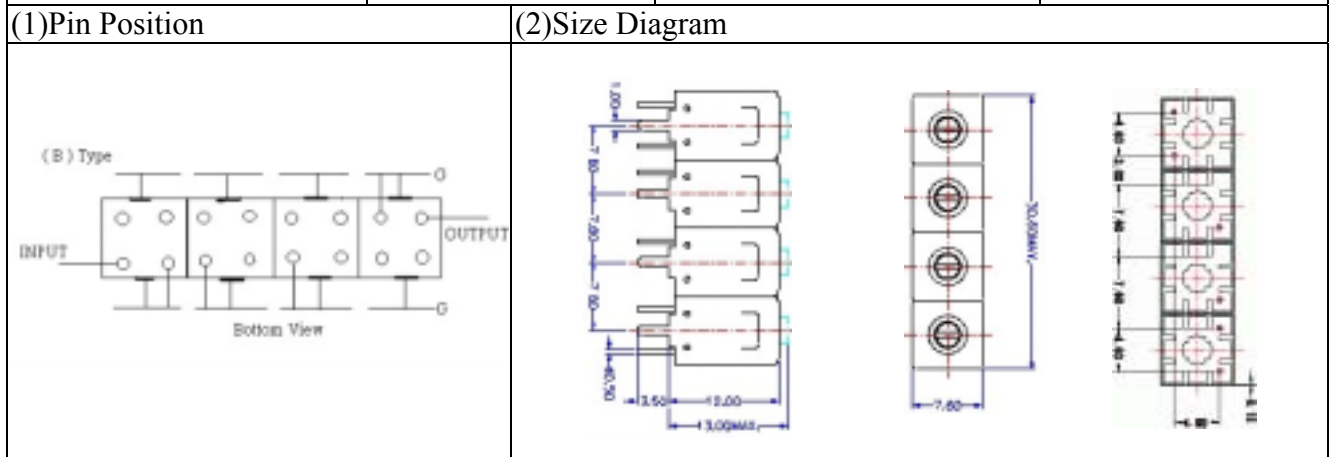


VHF UHF Helical Filter Specification Sheet

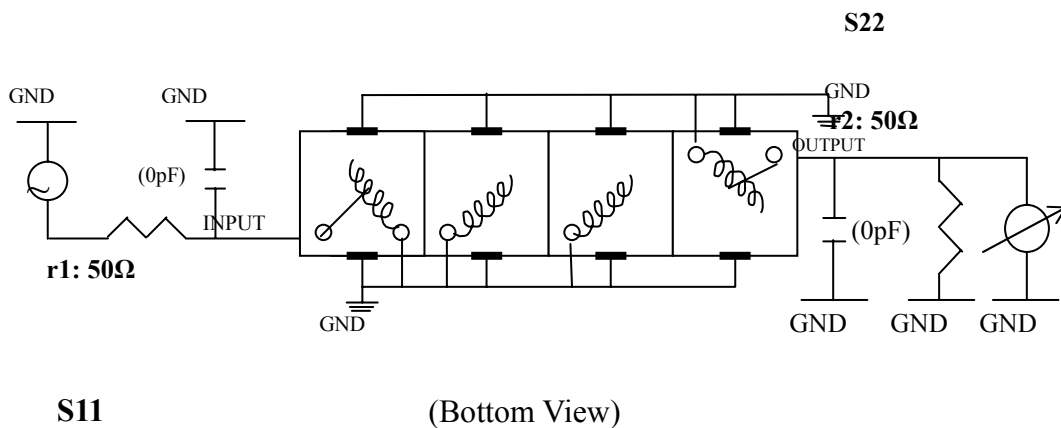
Customer Name		Temwell's Part No.	TF69295B-427.5M
Approval No. /dated	0712094APR	Temwell's Print Name	69295B 427.5M
Work Instruction No.	0712094CD	Date	Jan.04.2008



(3) Electric Characteristic

Item	Specify	
Center Freq.(Fo) +/- 0.5 %	427.5	MHz
Insertion Loss	Typ. 3.0	dB
-3 dB Bandwidth	Typ. 26	MHz
Sensitivity (Attenuation)	Fo - 30 MHz	Typ. 23 dBc
	Fo + 30 MHz	Typ. 15 dBc
	Fo - ()MHz	Typ. dBc
	Fo +()MHz	Typ. dBc
Return Loss	Min. 12	dB
Ripple	< 1	dB
Impedance	In / Out : 50 Ω	
(4) Torque for Tuning Screw	> 100gf cm	
(5) Temperature Condition:		
Operating Temperature	0 ~ +60	
Storage Temperature	-20 ~ +70	
(6) Input Power	> 1Watt	

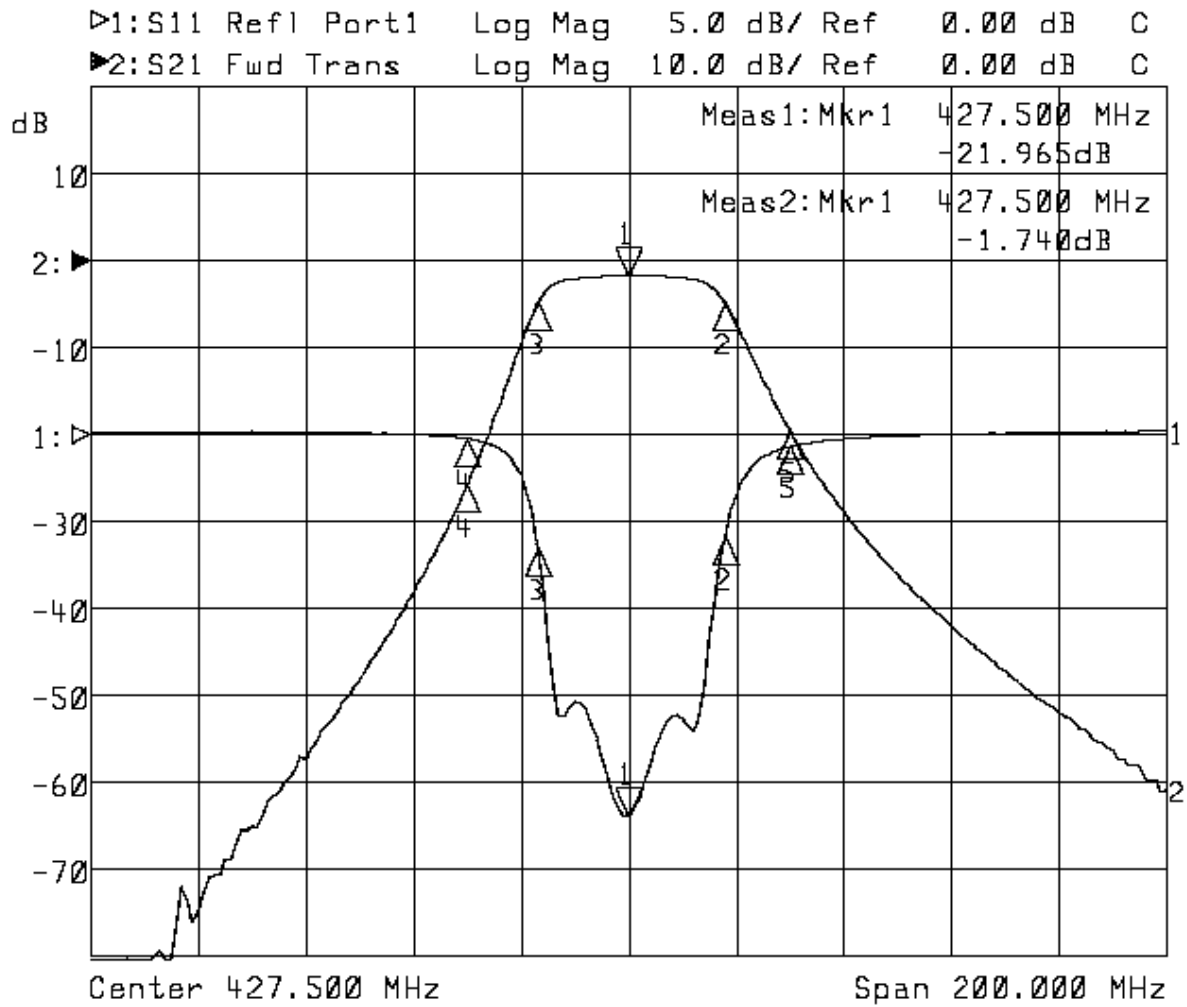
(7) Measuring Circuit: Easy to match Impedance S11/S22 50Ω/ by parallel with about(0pF) / (0 pF).



Approval	Supervisor	Designer	Aperture size
C.Y.Chang	C.S.Chang	Y.H.Chuan	7H4(4*6.5)F 7H046LB5
TEMWELL CORPORATION			

Performance-TF69295B-427.5M

0712094CD



1: Mkr (MHz)	dB	2: Mkr (MHz)	dB
1> 427.5000	-21.965	1> 427.5000	-1.740
2: 445.3000	-5.935	2: 445.3000	-4.752
3: 410.6333	-6.445	3: 410.6333	-4.804
4: 397.5000	-25.810	4: 397.5000	-25.810
5: 457.5000	-19.540	5: 457.5000	-19.540