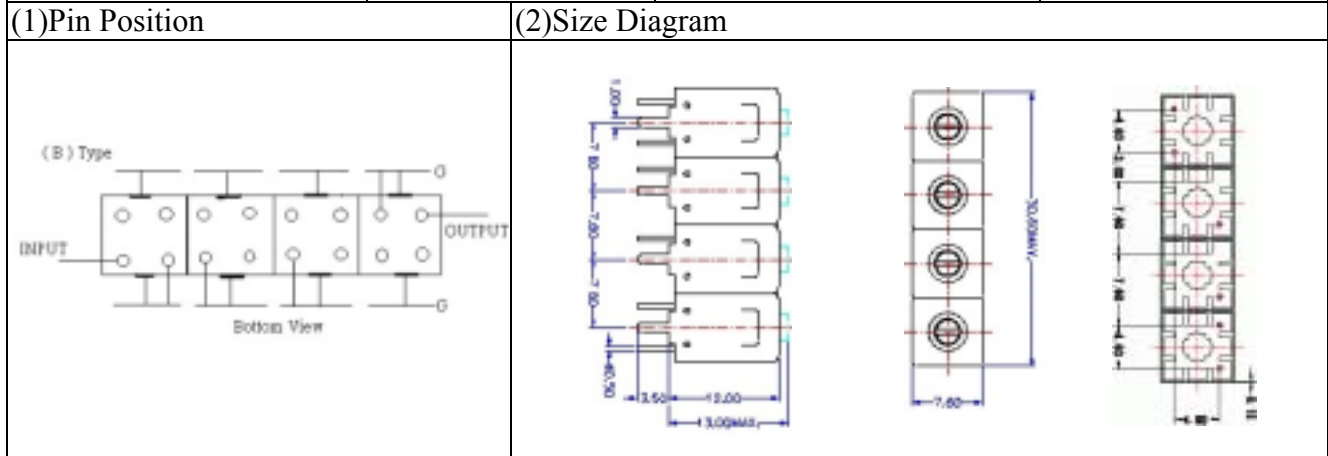
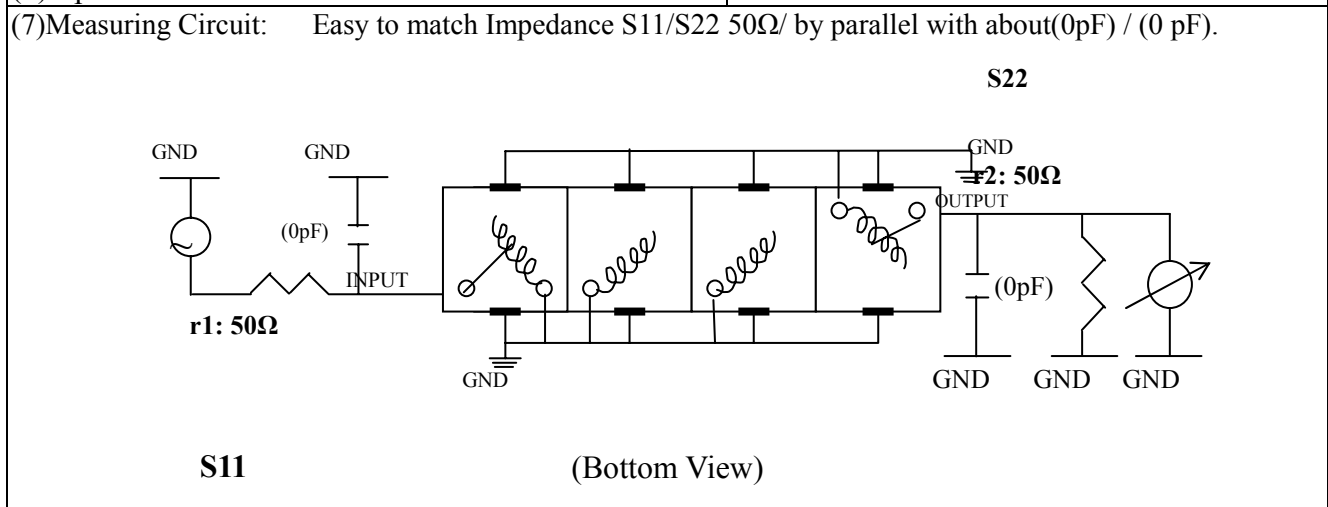


VHF UHF Helical Filter Specification Sheet

| | | | |
|----------------------|------------|----------------------|-----------------|
| Customer Name | | Temwell's Part No. | TF69452B1-325M |
| Approval No. /dated | 0712096APR | Temwell's Print Name | 69452B1 325M |
| Work Instruction No. | 0712096CD | Date | Jan.08.2008 |



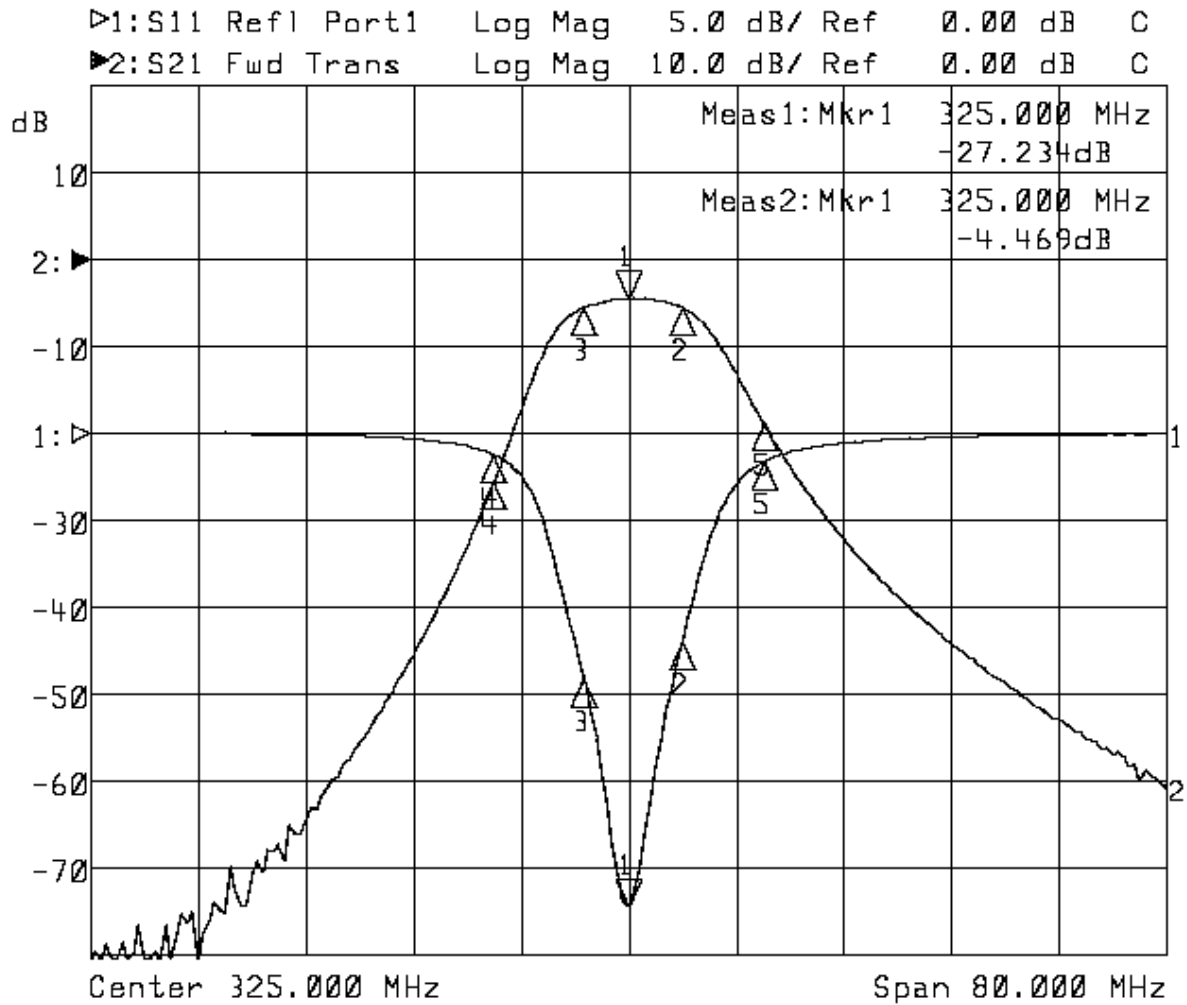
| (3) Electric Characteristic | |
|------------------------------|----------------------------|
| Item | Specify |
| Center Freq.(Fo) +/- 0.5 % | 325 MHz |
| Insertion Loss | Typ. 5.5 dB |
| -1 dB Bandwidth | Typ. 4 MHz |
| -3 dB Bandwidth | Typ. 10 MHz |
| Sensitivity (Attenuation) | Fo - 10 MHz Typ. 21 dBc |
| | Fo + 10 MHz Typ. 14 dBc |
| | Fo - ()MHz Typ. dBc |
| | Fo +()MHz Typ. dBc |
| Return Loss | Min. 12 dB |
| Ripple | < 1 dB |
| Impedance | In / Out : 50 Ω |
| (4) Torque for Tuning Screw | |
| > 100gf cm | |
| (5) Temperature Condition: | |
| Operating Temperature | 0 ~ +60 |
| Storage Temperature | -20 ~ +70 |
| (6) Input Power | |
| > 1Watt | |



| | | | |
|---------------------|------------|-----------|------------------------------|
| Approval | Supervisor | Designer | Aperture size |
| C.Y.Chang | C.S.Chang | Y.H.Chuan | 7H4(4*7.35)F 7H046LB4 聚 3 |
| TEMWELL CORPORATION | | | |

Performance-TF69452B1-325M

0712096CD



| 1: Mkr (MHz) | dB | 2: Mkr (MHz) | dB |
|--------------|---------|--------------|---------|
| 1> 325.0000 | -27.234 | 1> 325.0000 | -4.469 |
| 2: 328.9733 | -11.981 | 2: 328.9733 | -5.460 |
| 3: 321.7200 | -14.112 | 3: 321.7200 | -5.466 |
| 4: 315.0000 | -1.210 | 4: 315.0000 | -25.568 |
| 5: 335.0000 | -1.619 | 5: 335.0000 | -18.671 |