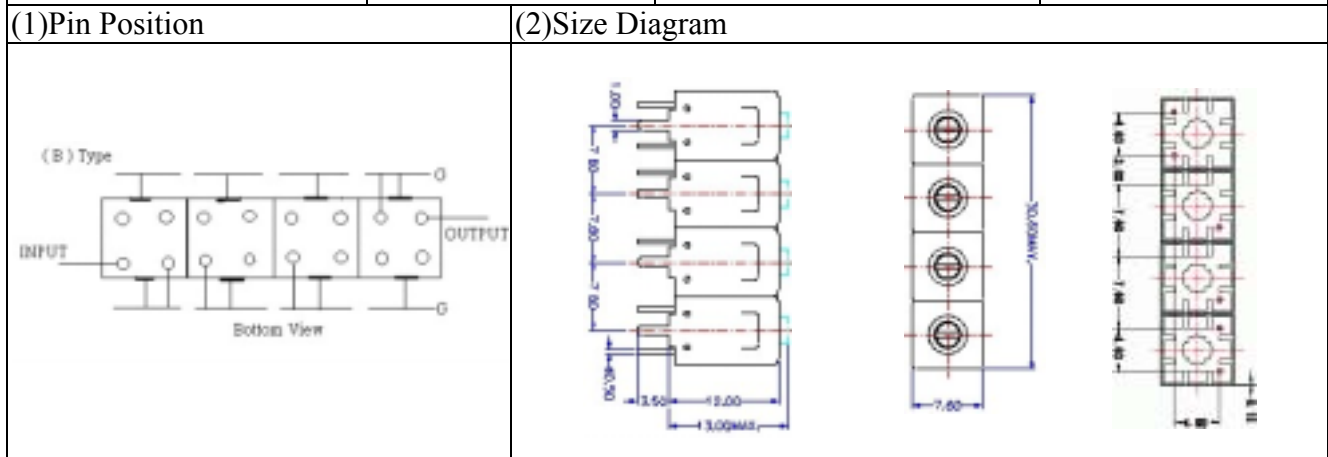


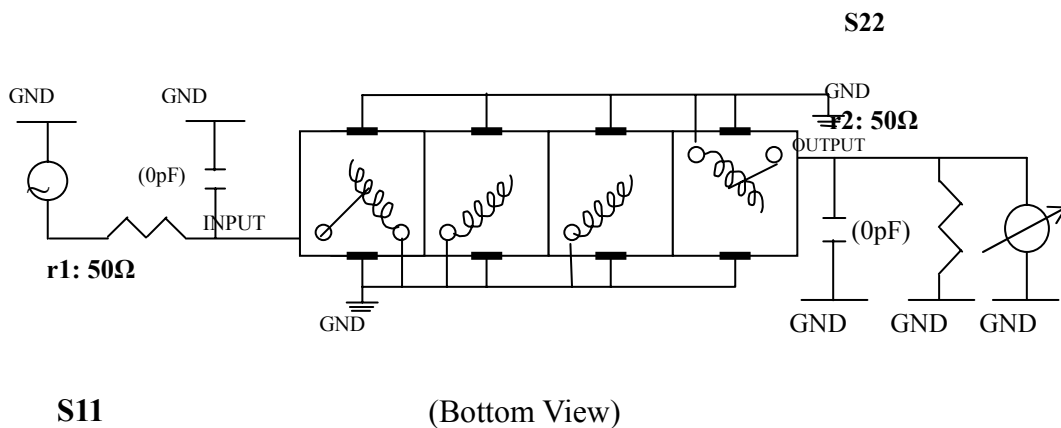
VHF UHF Helical Filter Specification Sheet

| | | | |
|----------------------|------------|----------------------|------------------|
| Customer Name | | Temwell's Part No. | TF69466B-409.5M |
| Approval No. /dated | 0712098APR | Temwell's Print Name | 69466B 409.5M |
| Work Instruction No. | 0712098CD | Date | Jan.09.2008 |



| (3)Electric Charasteric | | Item | Specify |
|-------------------------------|-------------|------|-----------------|
| Center Freq.(Fo) +/- 0.5 % | | | 409.5 MHz |
| Insertion Loss | | Typ. | 4.0 dB |
| -3 dB Bandwidth | | Typ. | 12 MHz |
| Sensitivity (Attenuation) | Fo - 30 MHz | Typ. | 53 dBc |
| | Fo + 30 MHz | Typ. | 44 dBc |
| | Fo - ()MHz | Typ. | dBc |
| | Fo +()MHz | Typ. | dBc |
| Return Loss | | Min. | 12 dB |
| Ripple | | | < 1 dB |
| Impedance | | | In / Out : 50 Ω |
| (4)Torque for Tuning Screw | | | >100gf cm |
| (5)Temperature Condition: | | | |
| Operating Temperature | | | 0 ~ +60 |
| Storage Temperature | | | -20 ~ +70 |
| (6)Input Power | | | > 1Watt |

(7)Measuring Circuit: Easy to match Impedance S11/S22 50Ω/ by parallel with about(0pF) / (0 pF).

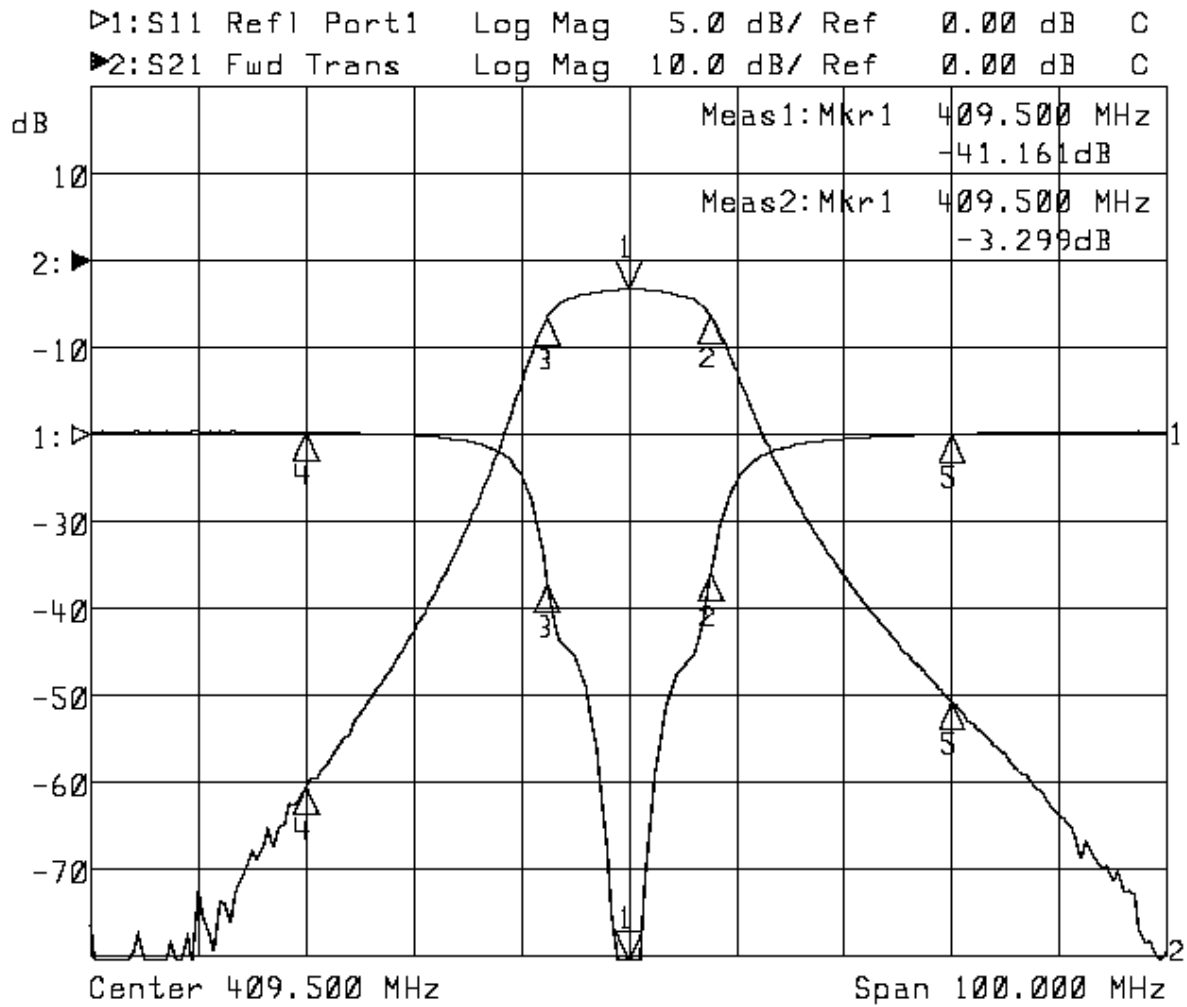


| | | | |
|-----------|------------|-----------|-----------------------------|
| Approval | Supervisor | Designer | Aperture size |
| C.Y.Chang | C.S.Chang | Y.H.Chuan | 7H4(4*6.5)F 7H046LB4 聚 3 |

TEMWELL CORPORATION

Performance-TF69466B-409.5M

0712098CD



| 1: Mkr (MHz) | dB | 2: Mkr (MHz) | dB |
|--------------|---------|--------------|---------|
| 1> 409.5000 | -41.161 | 1> 409.5000 | -3.299 |
| 2: 417.1333 | -8.056 | 2: 417.1333 | -6.319 |
| 3: 402.0000 | -8.575 | 3: 402.0000 | -6.389 |
| 4: 379.5000 | 0.141 | 4: 379.5000 | -60.522 |
| 5: 439.5000 | 0.014 | 5: 439.5000 | -50.798 |