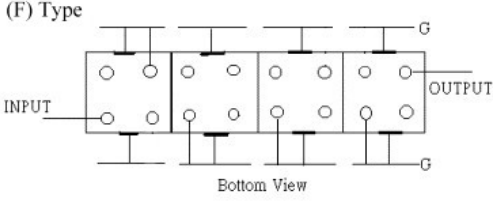
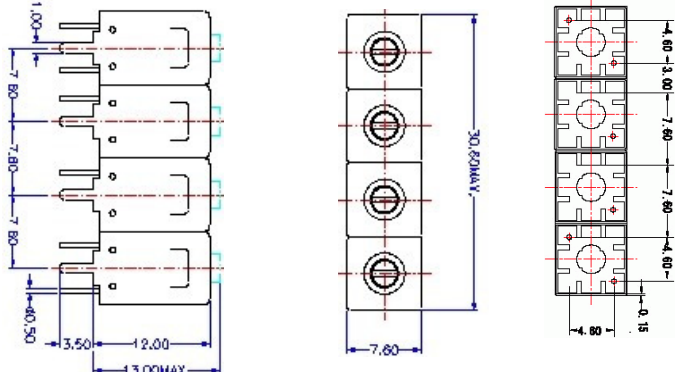


# VHF UHF Helical Filter Specification Sheet

Customer Name		Temwell's Part No.	TF69618F-625M
Approval No. /dated		Temwell's Print name	69618F 625M
Work Instruction No.	201504059C	Date	Jul.01.2015

<p>(1) Pin Position</p>  <p style="text-align: center;">Bottom View</p>	<p>(2) Size Diagram</p> 
--	--

**(3) Electric Characteristic**

Item	Specify
Center Freq.(Fo) +/- 0.5 %	625 MHz
Insertion Loss	Typ. 2.0 dB
-3 dB Bandwidth	Typ. 130 MHz
Sensitivity (Attenuation)	Fo - (150) MHz    Typ. 41 dBc
	Fo + (150) MHz    Typ. 28 dBc
	Fo - ( ) MHz        Typ.    dBc
	Fo + ( ) MHz        Typ.    dBc
Return Loss	Min. 12 dB
Ripple	< 1 dB
Impedance	In / Out : 50 Ω

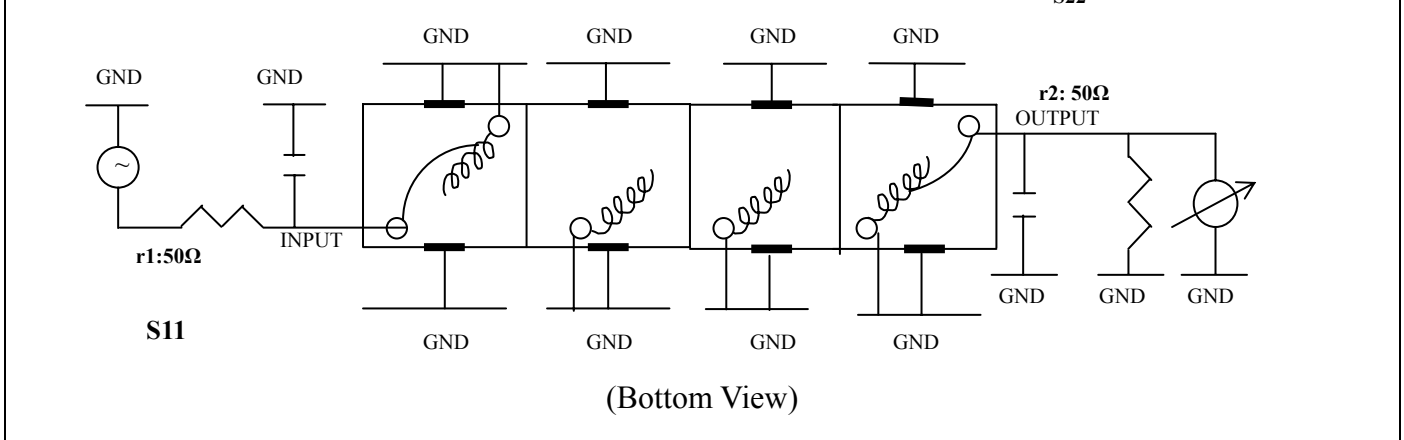
(4) Torque for Tuning Screw > 60gf · cm

**(5) Temperature Condition:**

Operating Temperature	0°C ~ +60°C
Storage Temperature	-20°C ~ +70°C

(6) Input Power > 1Watt

(7) Measuring Circuit: ※Easy to match Impedance S11/S22 50Ω by parallel with about ( )



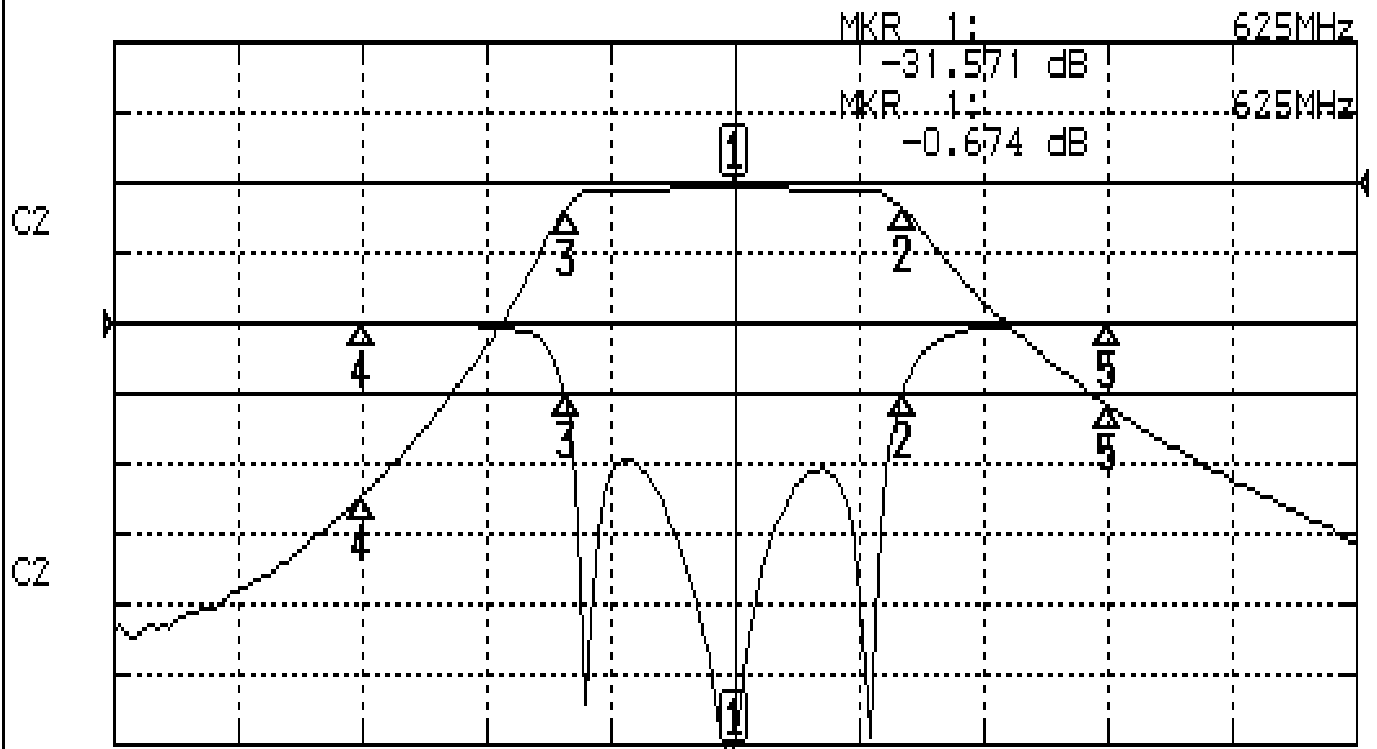
Approval C.Y.Chang	Supervisor C.K.Chang	Designer C.S.Chang	Aperture size 7H4S(4*8.0)(8.02) 7H046RB6.5(J1)
-----------------------	-------------------------	-----------------------	--

TEMWELL CORPORATION

# Performance-TF69618F-625M

## 201504059C

CH1 S11 LOG MAG REF 0.000 dB 5.000 dB/  
CH2 S21 LOG MAG REF 0.000 dB 10.000 dB/



CENTER 625MHz

[ 10.00 dBm ]

SPAN 500MHz

### CH1 MARKER LIST

Marker	Frequency (MHz)	Magnitude (dB)
1:	625.000	-31.571
2:	692.800	-4.859
3:	556.666	-5.194
4:	475.000	-0.008
5:	775.000	0.011

### CH2 MARKER LIST

Marker	Frequency (MHz)	Magnitude (dB)
1:	625.000	-0.674
2:	692.800	-3.676
3:	556.666	-3.746
4:	475.000	-44.481
5:	775.000	-31.674