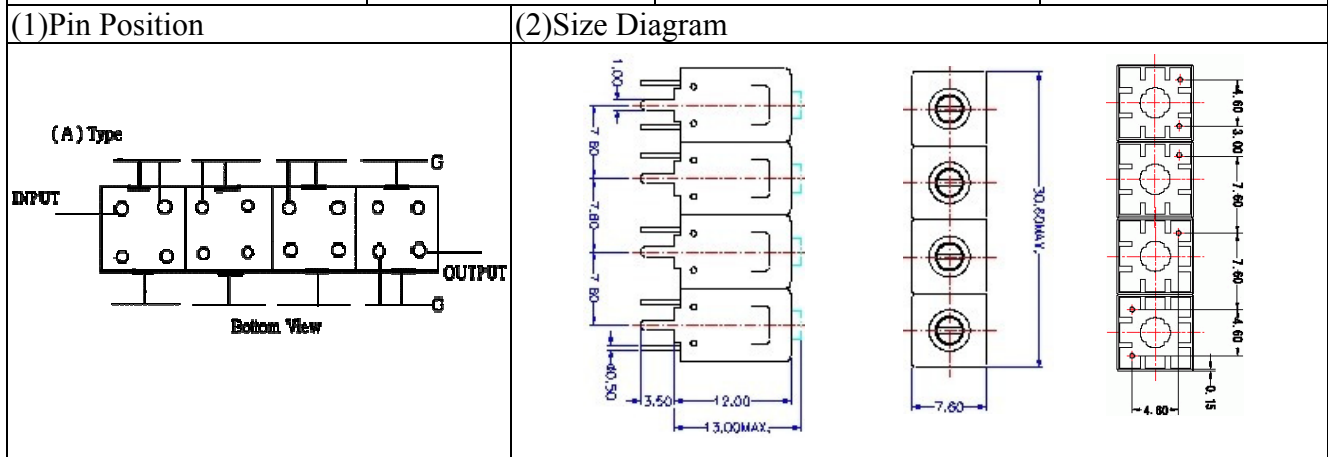


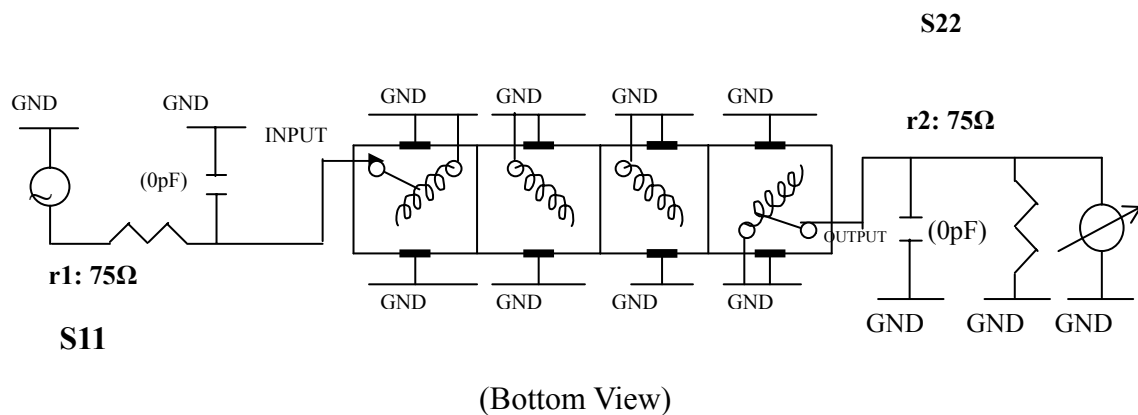
VHF UHF Helical Filter Specification Sheet

Customer Name		Temwell's Part No.	TF69641A-113.5M
Approval No. /dated		Temwell's Print Name	69641A 113.5M
Work Instruction No.	200812066CD	Date	Dec.17.2008



(3) Electric Characteristic	
Item	Specify
Center Freq.(Fo) +/- 0.5 %	113.5 MHz
Insertion Loss	Typ. 4.0 dB
-3 dB Bandwidth	Typ. 11 MHz
Sensitivity (Attenuation)	Fo - 40 MHz Typ. 76 dBc
	Fo + 40 MHz Typ. 77 dBc
	Fo - ()MHz Typ. dBc
	Fo +()MHz Typ. dBc
Return Loss	Min. 12 dB
Ripple	< 1 dB
Impedance	In / Out : 50 Ω
(4) Torque for Tuning Screw	> 100gf · cm
(5) Temperature Condition:	
Operating Temperature	0°C ~ +60°C
Storage Temperature	-20°C ~ +70°C
(6) Input Power	> 1Watt

(7) Measuring Circuit: ※Easy to match Impedance S11/S22 50Ω/ by parallel with about(0pF) / (0pF).



Approval C.Y.Chang	Supervisor C.S.Chang	Designer Y.H.Yeh	Aperture size 7H4S(4*5.5F)(5.57) 7H00LB6
-----------------------	-------------------------	---------------------	--

TEMWELL CORPORATION

Performance-TF69641A-113.5M

200812066CD

