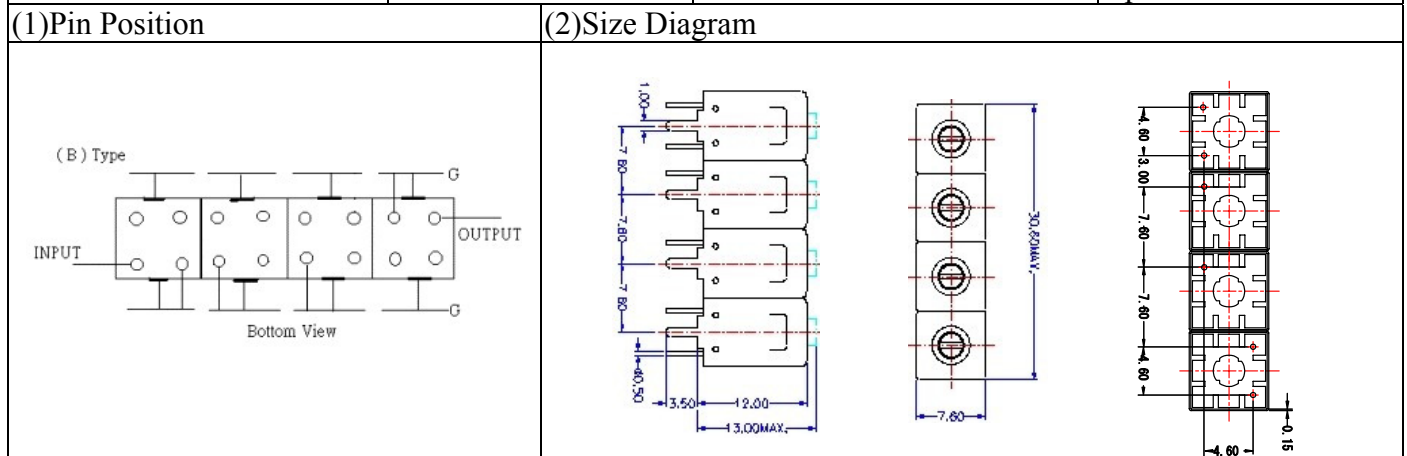


VHF UHF Helical Filter Specification Sheet

Customer Name		Temwell's Part No.	TF69864B-1075M
Approval No. /dated		Temwell's Print Name	69864B 1075M
Work Instruction No.	201504071C	Date	Apr.23.2015



(3) Electric Characteristic

Item	Specify	
Center Freq.(Fo) +/- 0.5 %	1075	MHz
Insertion Loss	Typ. 2.5	dB
-3 dB Bandwidth	Typ. 120	MHz
Sensitivity (Attenuation)	Fo - 150 MHz	Typ. 46 dBc
	Fo + 150 MHz	Typ. 27 dBc
	Fo - ()MHz	Typ. dBc
	Fo +()MHz	Typ. dBc
Return Loss	Min. 12	dB
Ripple	< 1	dB
Impedance	In / Out : 50 Ω	

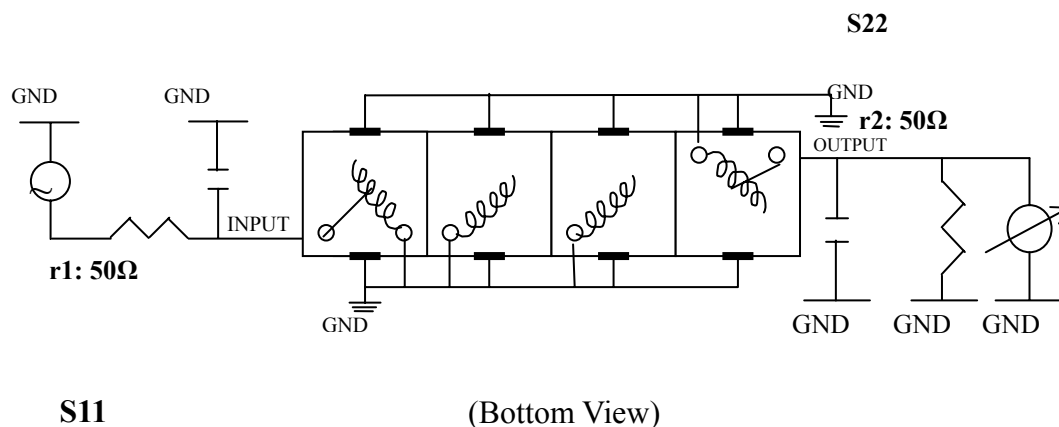
(4) Torque for Tuning Screw > 60gf · cm

(5) Temperature Condition:

Operating Temperature	0°C ~ +60°C
Storage Temperature	-20°C ~ +70°C

(6) Input Power > 1Watt

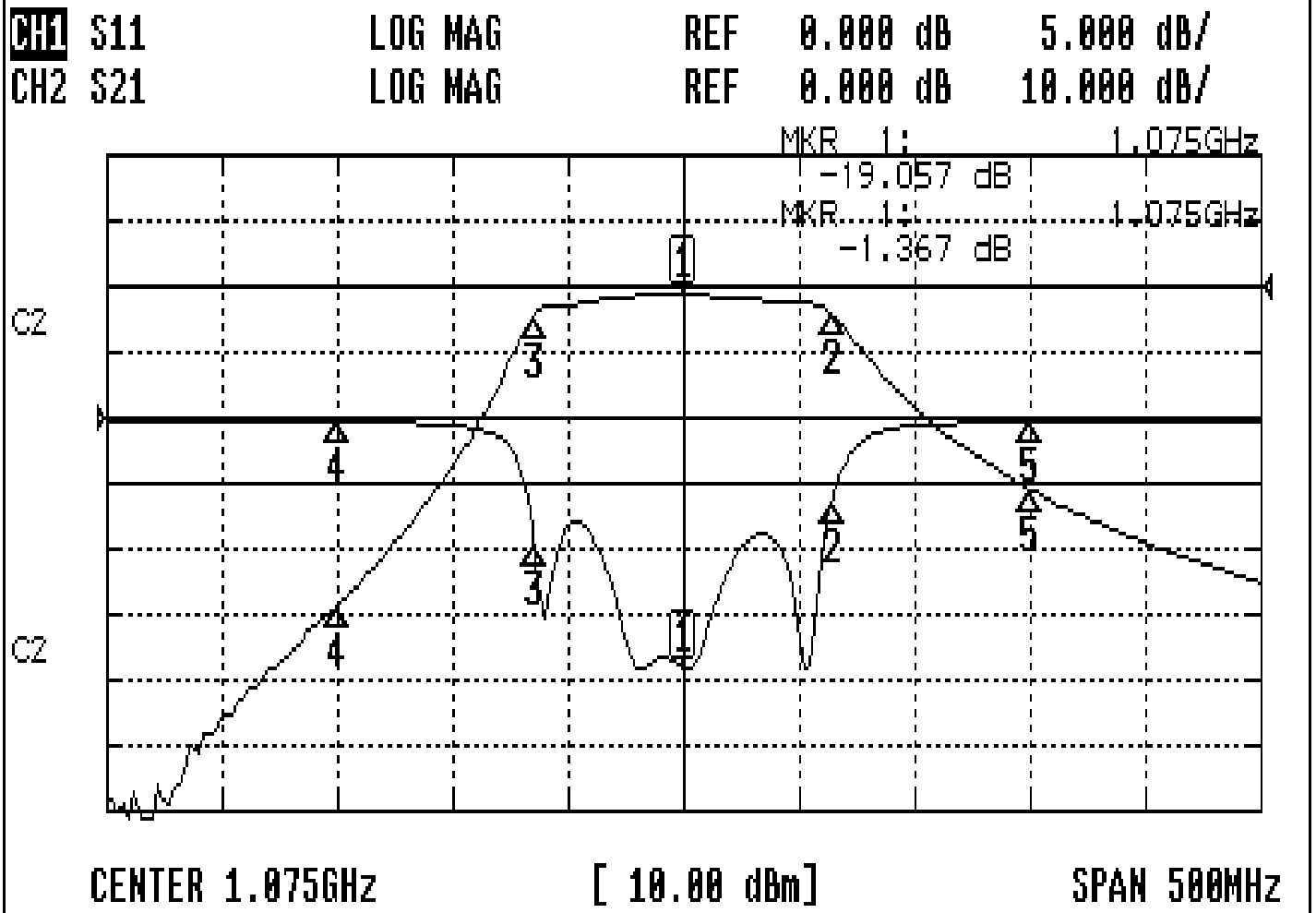
(7) Measuring Circuit: ※Easy to match Impedance S11/S22 50Ω by parallel with about(- -).



Approval	Supervisor	Designer	Aperture size
C.Y.Chang	C.K.Chang	C.S.Chang	7H4S(4*6.5)(6.56) 7H046RB6.5
TEMWELL CORPORATION			

Performance-TF69864B-1075M

201504071C



CH1 MARKER LIST

Marker	Frequency	Magnitude
1	1.075 000GHz	-19.053 dB
2	1.139 583GHz	-6.242 dB
3	1.010 833GHz	-9.950 dB
4	925.000MHz	-0.313 dB
5	1.225 000GHz	-0.326 dB

CH2 MARKER LIST

Marker	Frequency	Magnitude
1	1.075 000GHz	-1.367 dB
2	1.139 583GHz	-4.383 dB
3	1.010 833GHz	-4.382 dB
4	925.000MHz	-48.570 dB
5	1.225 000GHz	-30.973 dB