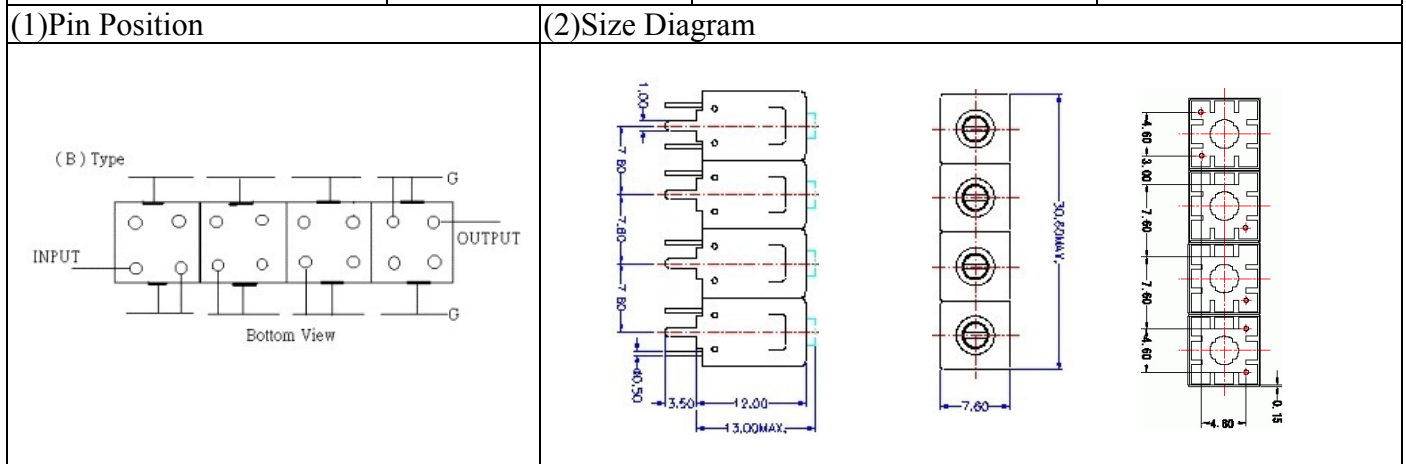
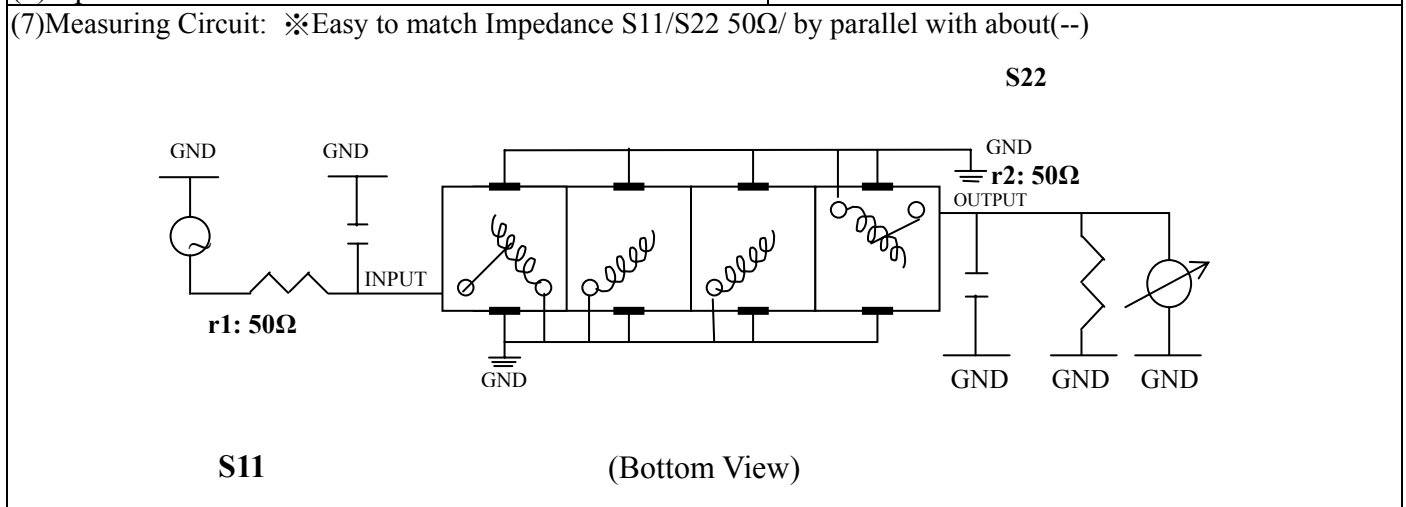


# VHF UHF Helical Filter Specification Sheet

Customer Name		Temwell's Part No.	TF69869B-350M
Approval No. /dated		Temwell's Print Name.	69869B 350M
Work Instruction No.	201504053C	Date	Jun.24.2015



(3) Electric Characteristic		Item	Specify
		Center Freq.(Fo) +/- 0.5 %	350 MHz
		Insertion Loss	Typ. 1.5 dB
		-3 dB Bandwidth	Typ. 88 MHz
Sensitivity (Attenuation)	Fo - 100 MHz	Typ. 44 dBc	
	Fo + 100 MHz	Typ. 25 dBc	
	Fo - ( )MHz	Typ. dBc	
	Fo +( )MHz	Typ. dBc	
		Return Loss	Min. 12 dB
		Ripple	< 1 dB
		Impedance	In / Out : 50 Ω
(4) Torque for Tuning Screw		> 100gf · cm	
(5) Temperature Condition:			
Operating Temperature		0°C ~ +60°C	
Storage Temperature		-20°C ~ +70°C	
(6) Input Power		> 1Watt	



Approval	Supervisor	Designer	Aperture size
C.Y.Chang	C.S.Chang	Y.H.Yeh	7H4S(4*8.0)(8.05) 7H046RB6.5

TEMWELL CORPORATION

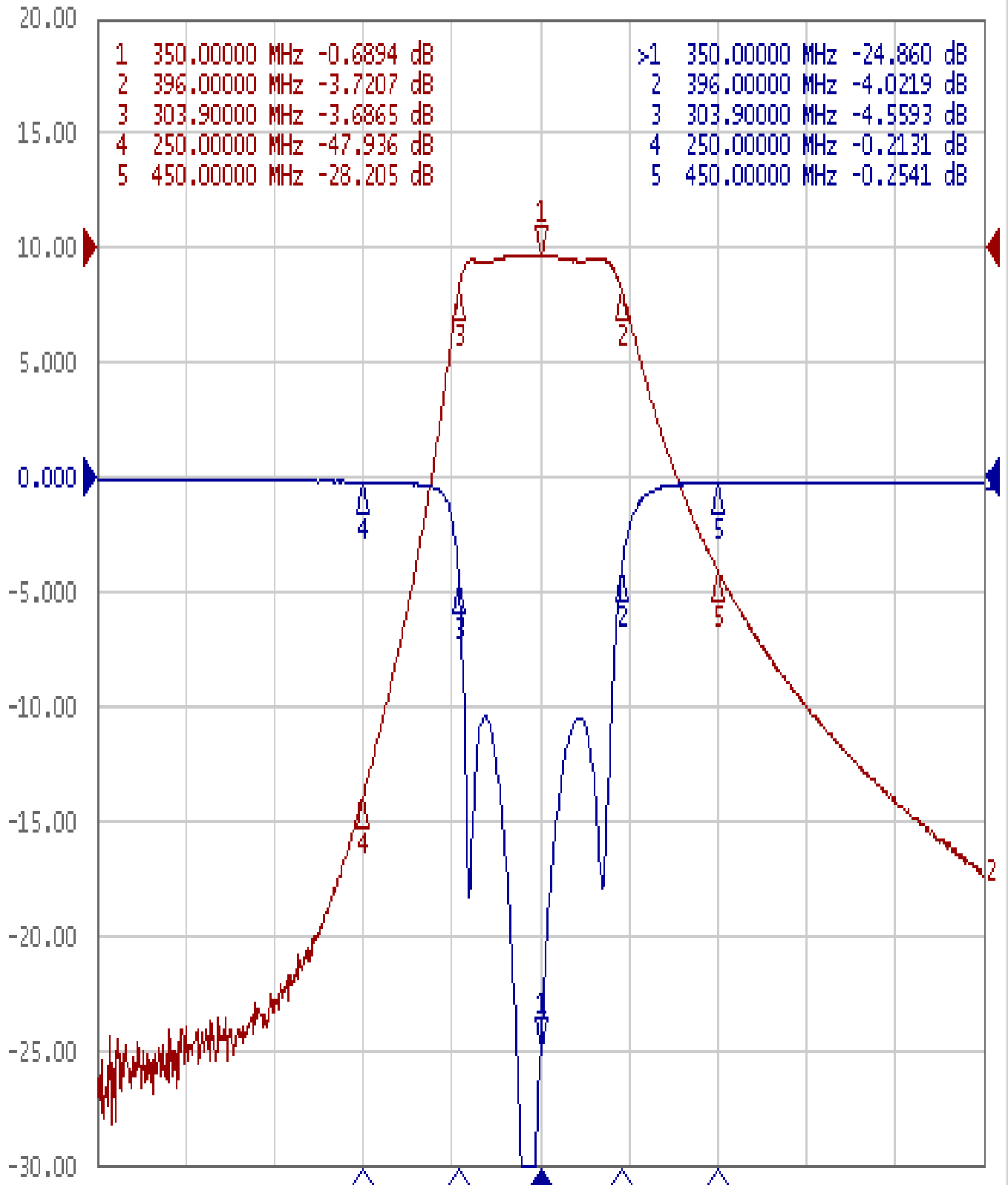
TEMWELL

RP:(W.W.W)

# Performance-TF69869B-350M

201504053C

Tr1 S11 Log Mag 5.000dB/ Ref 0.000dB [F2]  
Tr2 S21 Log Mag 10.00dB/ Ref 0.000dB [F2]



1 Center 350 MHz

IFBW 70 kHz

Span 500 MHz Cor !