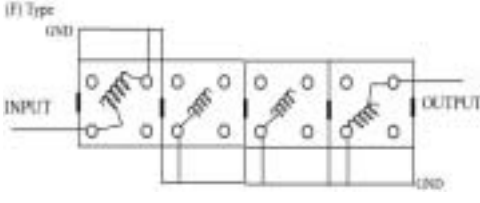
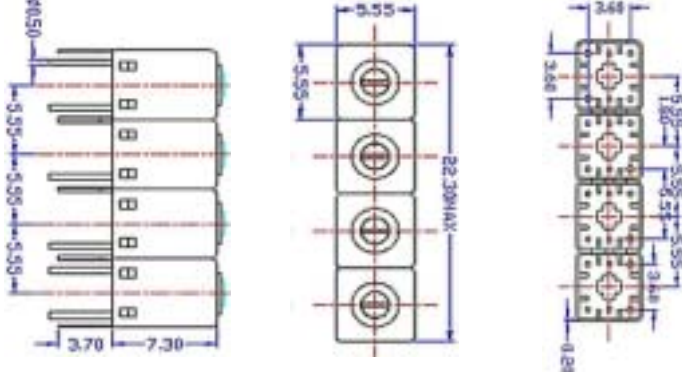


VHF UHF Helical Filter Specification Sheet

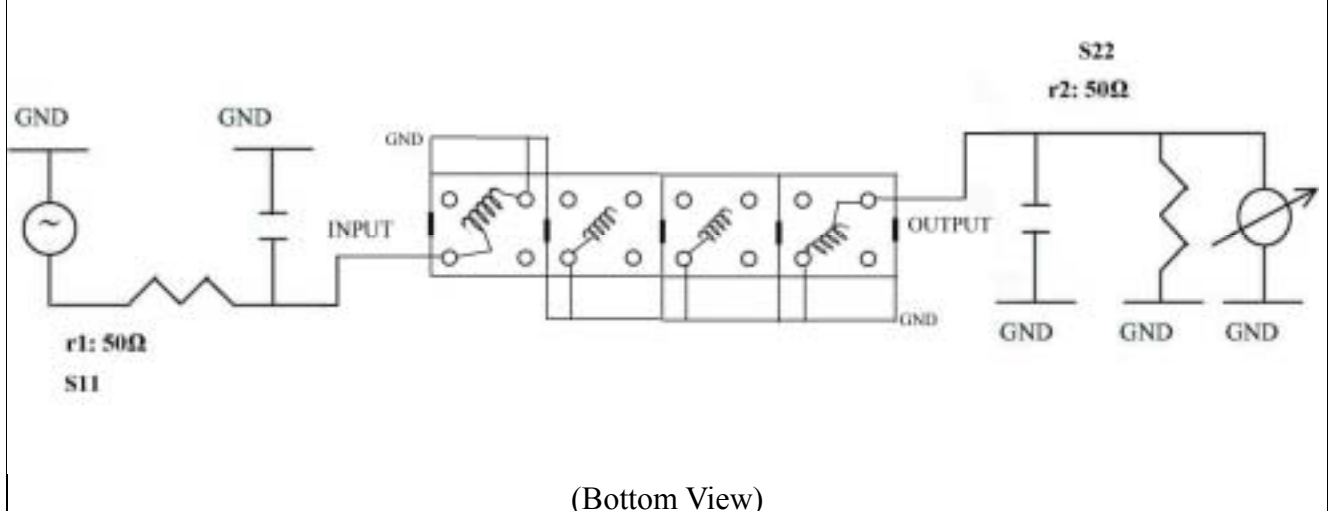
Customer Name		Temwell's Part No.	TFR4639F-480M
Approval No. /dated		Temwell's Print Name.	4639F 480M
Work Instruction No.	201302031C	Date	Oct.31.2013

<p>(1) Pin Position</p>  <p>(Bottom View)</p>	<p>(2) Size Diagram</p> 
--	--

(3) Electric Characteristic

Item		Specify	
Center Freq.(Fo) +/- 0.5 %		480	MHz
Insertion Loss		Typ. 5.0	dB
-3 dB Bandwidth		Typ. 16	MHz
Sensitivity (Attenuation)	Fo - 50 MHz	Typ. 56	dBc
	Fo + 50 MHz	Typ. 52	dBc
	Fo - ()MHz	Typ.	dBc
	Fo +()MHz	Typ.	dBc
Return Loss		Min. 12	dB
Ripple		< 1	dB
Impedance		In / Out : 50 Ω	
(4) Torque for Tuning Screw		> 60gf cm	
(5) Temperature Condition:			
Operating Temperature		0 ~ +60	
Storage Temperature		-20 ~ +70	
(6) Input Power		> 0.5Watt	

(7) Measuring Circuit: Easy to match Impedance S11/S22 50Ω by parallel with about(-) / (-).

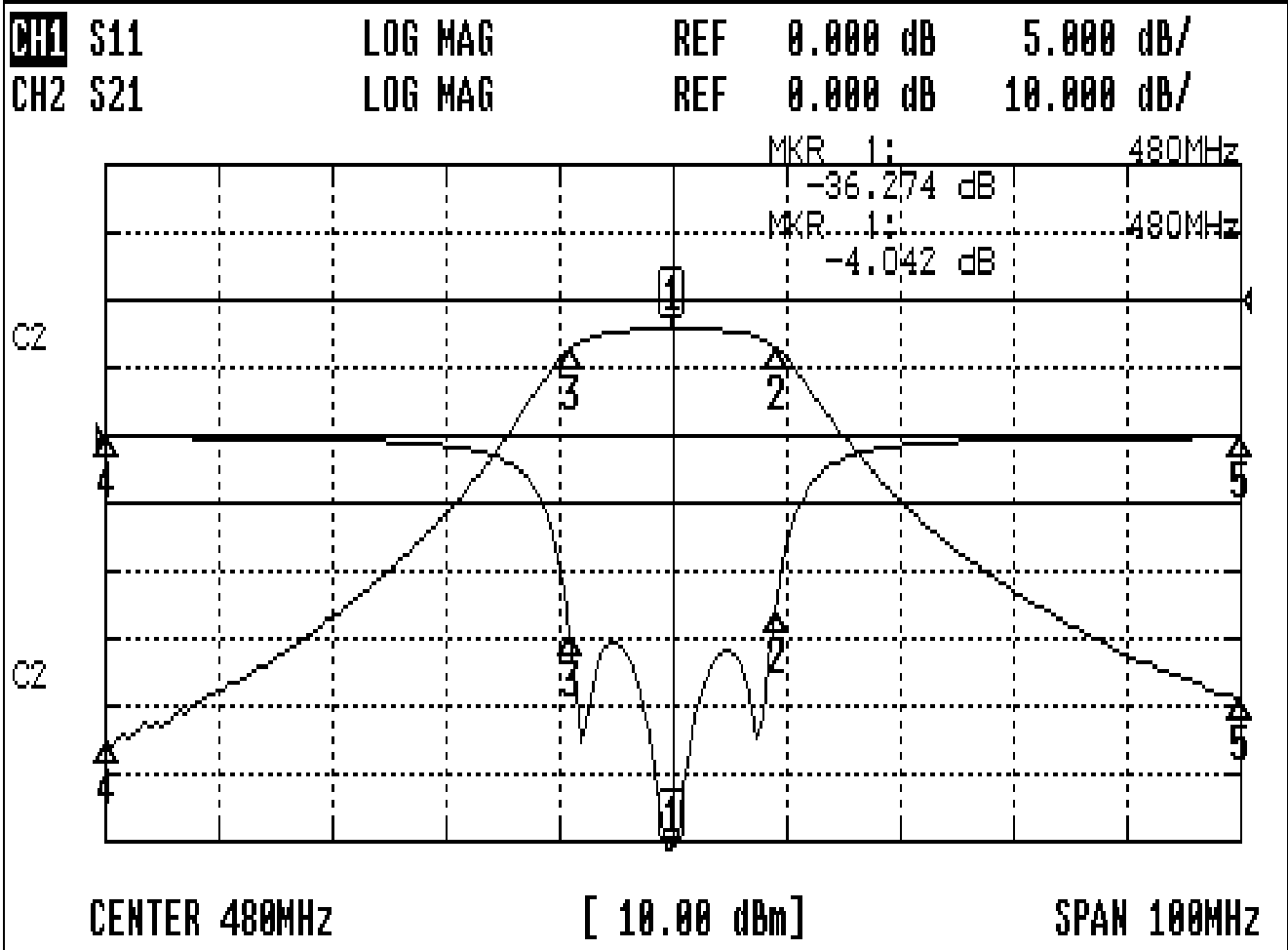


Approval	Supervisor	Designer	Aperture size
C.Y.Chang	C.K.Chang	C.Ko.Chang	5R4(3.8*3.65)(4.68) 5HW024RB3

TEMWELL CORPORATION

Performance-TFR4639F-480M

201302031C



CH1 MARKER LIST

1	480.000MHz	-36.335 dB
2	489.083MHz	-12.831 dB
3	471.000MHz	-14.684 dB
4	430.000MHz	-0.100 dB
5	530.000MHz	-0.128 dB

CH2 MARKER LIST

1	480.000MHz	-4.042 dB
2	489.083MHz	-7.015 dB
3	471.000MHz	-7.096 dB
4	430.000MHz	-66.216 dB
5	530.000MHz	-58.824 dB