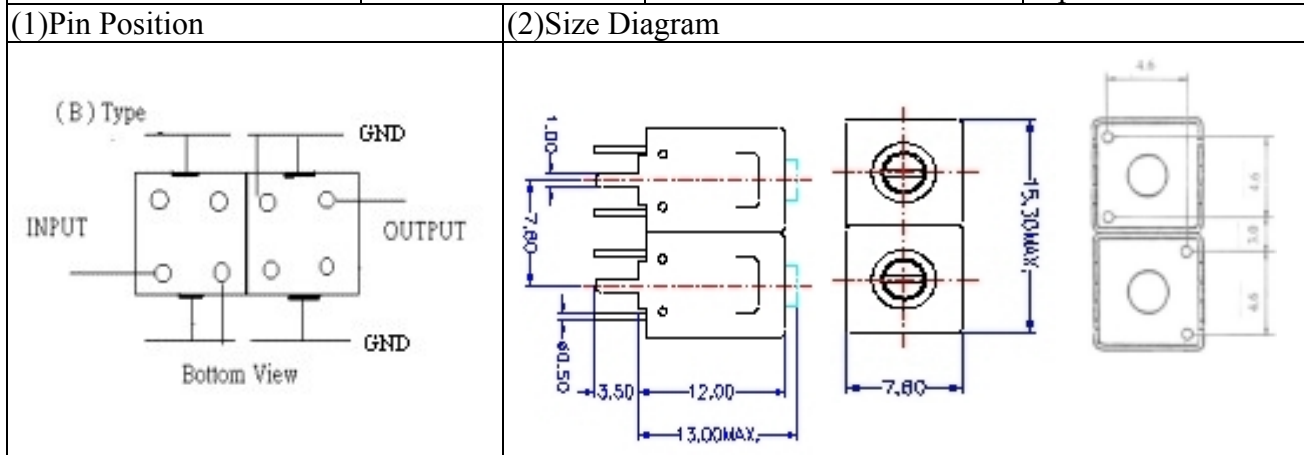
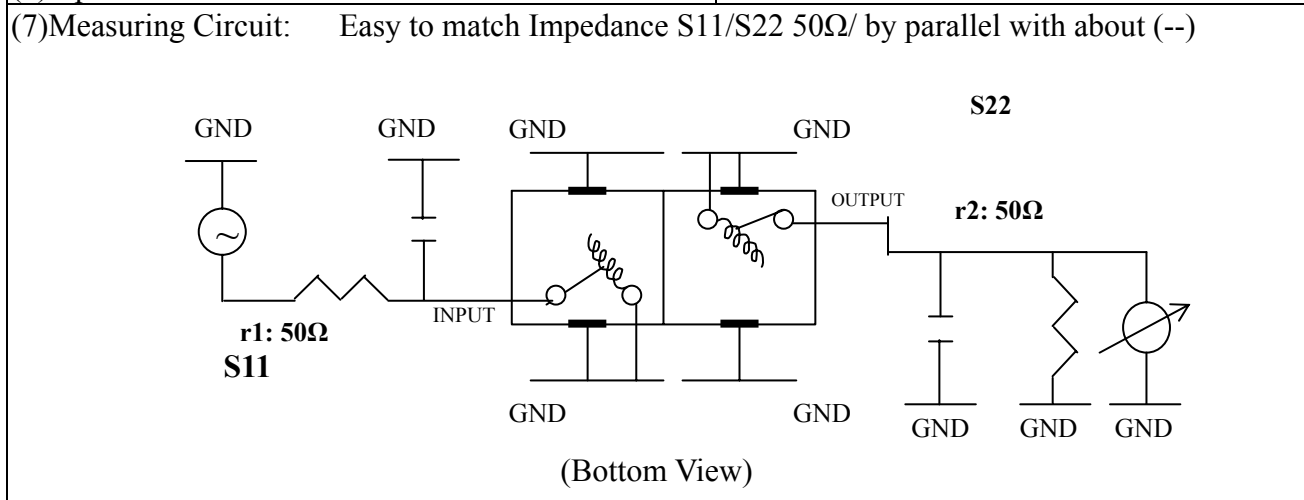


# VHF UHF Helical Filter Specification Sheet

Customer Name		Temwell's Part No.	TD6734B-223.5M
Approval No. /dated	201107071CD	Temwell's Print Name	6734B 223.5M
Work Instruction No.	201107071CD	Date	Sep.23.2011



(3) Electric Characteristic		
Item	Specify	
Center Freq.(Fo) +/- 0.5 %	223.5 MHz	
Insertion Loss	Typ. 2.5 dB	
-3 dB Bandwidth	Typ. 8 MHz	
Sensitivity (Attenuation)	Fo - 50 MHz	Typ. 30 dBc
	Fo + 50 MHz	Typ. 40 dBc
	Fo - ( )MHz	Typ. dBc
	Fo + ( )MHz	Typ. dBc
Return Loss	Min. 12 dB	
Ripple	< 1 dB	
Impedance	In / Out : 50 Ω	
(4) Torque for Tuning Screw	> 60gf cm	
(5) Temperature Condition:		
Operating Temperature	0 ~ +60	
Storage Temperature	-20 ~ +70	
(6) Input Power	> 1Watt	



Approval	Supervisor	Designer	Aperture size
C.Y.Chang	C.K.Chang	F.L.Lai	7H2S(4*5.5)(5.60) 7H024LB4
TEMWELL CORPORATION			

# Performance-TD6734B-223.5M

## 201107071CD

