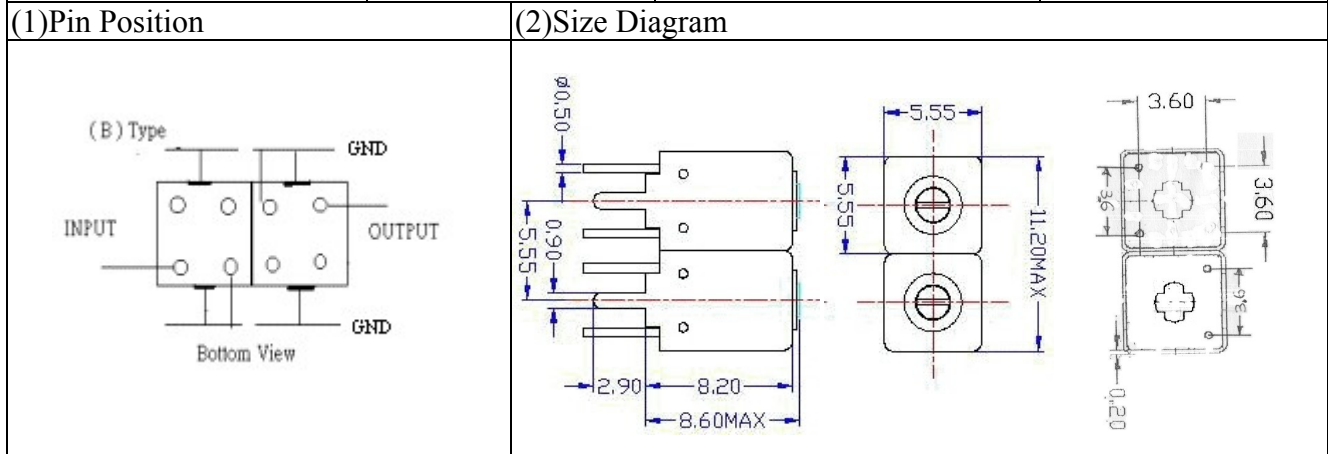
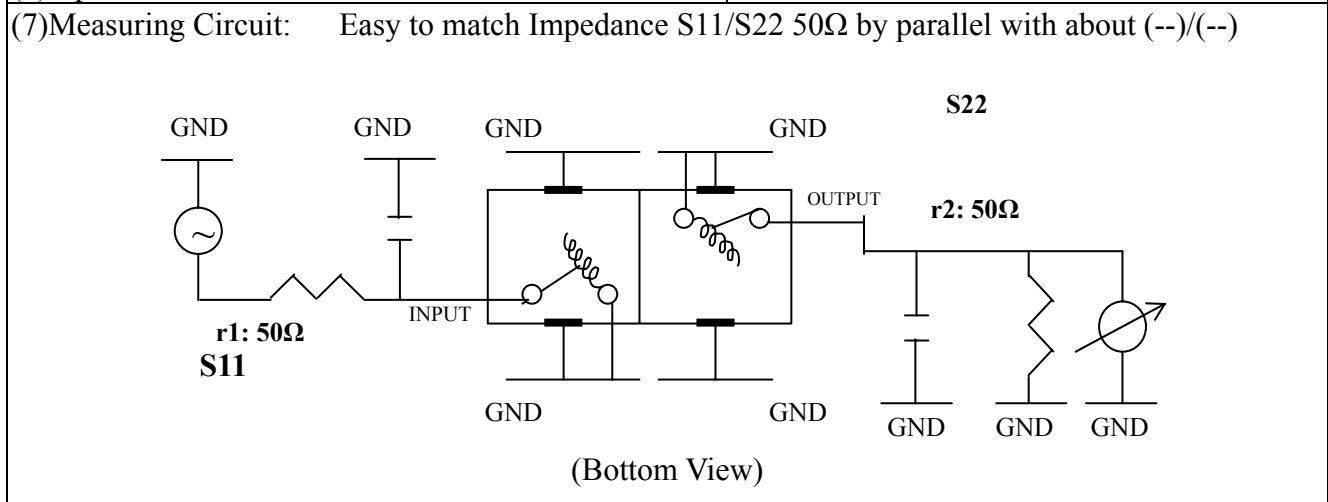


VHF UHF Helical Filter Specification Sheet

Customer Name		Temwell's Part No.	TDW2553B-915M
Approval No. /dated	20111162DC	Temwell's print Name.	2553B 915M
Work Instruction No.	201107079C	Date	Oct.28.2011



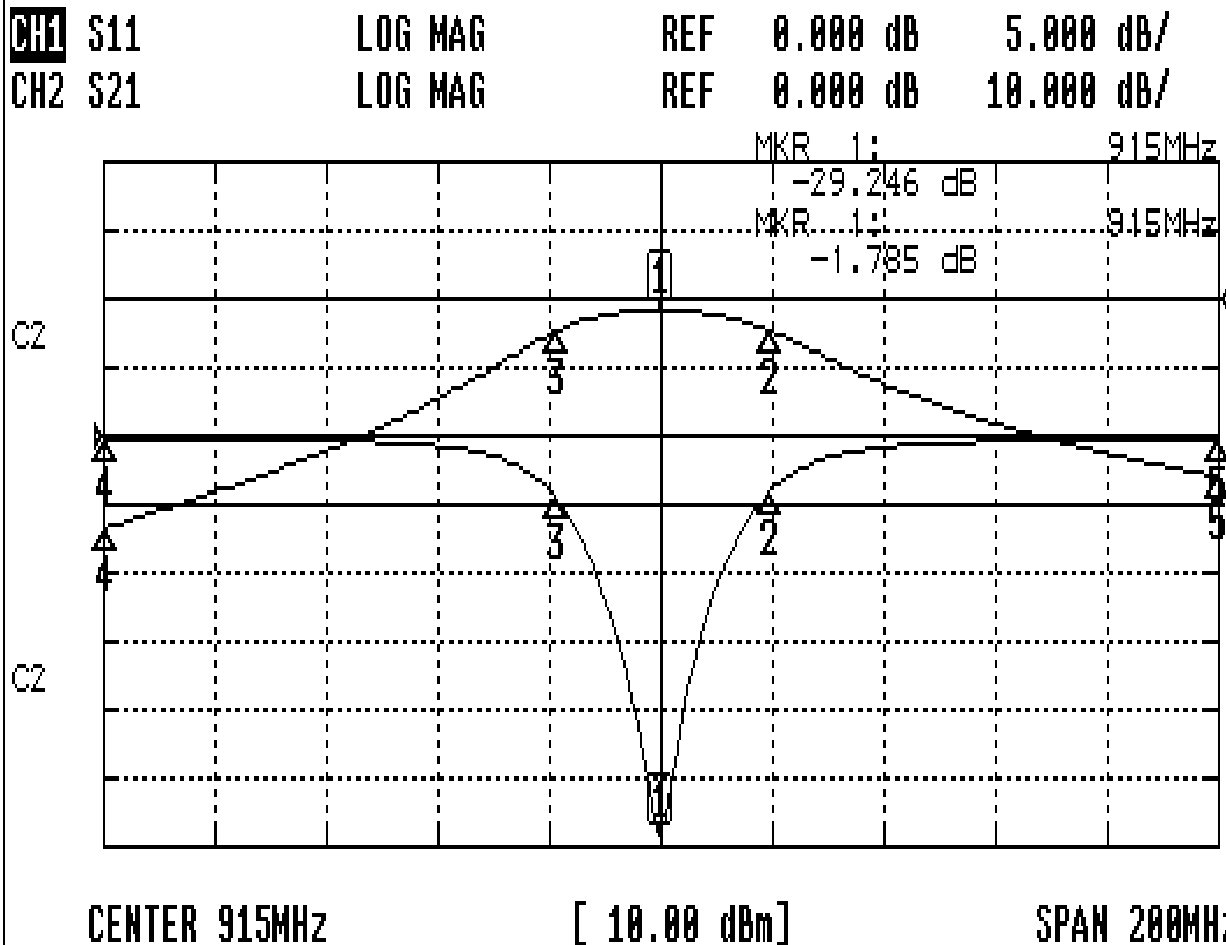
(3)Electric Charasteric	
Item	Specify
Center Freq.(Fo) +/- 0.5 %	915 MHz
Insertion Loss	Typ. 3.5 dB
-3 dB Bandwidth	Typ. 29 MHz
Sensitivity (Attenuation)	Fo - 100 MHz Typ. 24 dBc
	Fo + 100 MHz Typ. 21 dBc
	Fo - ()MHz Typ. dBc
	Fo +()MHz Typ. dBc
Return Loss	Min. 12 dB
Ripple	< 1 dB
Impedance	In / Out : 50 Ω
(4)Torque for Tuning Screw	> 60gf cm
(5)Temperature Condition:	
Operating Temperature	0 ~ +60
Storage Temperature	-20 ~ +70
(6)Input Power	> 0.5Watt



Approval	Supervisor	Designer	Aperture size
C.Y.Chang	C.S.Chang	C.S.Chang	5W2S(3.8*4.0)(4.09) 5HW024RB3
TEMWELL		CORPORATION	

Performance-TDW2553B-915M

201107079C



CH1 MARKER LIST

1:	915.000MHz	-29.240 dB
2:	934.666MHz	-4.099 dB
3:	996.166MHz	-4.458 dB
4:	915.000MHz	-0.205 dB
5:	1.015 000GHz	-0.249 dB

CH2 MARKER LIST

1:	915.000MHz	-1.785 dB
2:	934.666MHz	-4.729 dB
3:	996.166MHz	-4.776 dB
4:	915.000MHz	-33.439 dB
5:	1.015 000GHz	-25.972 dB