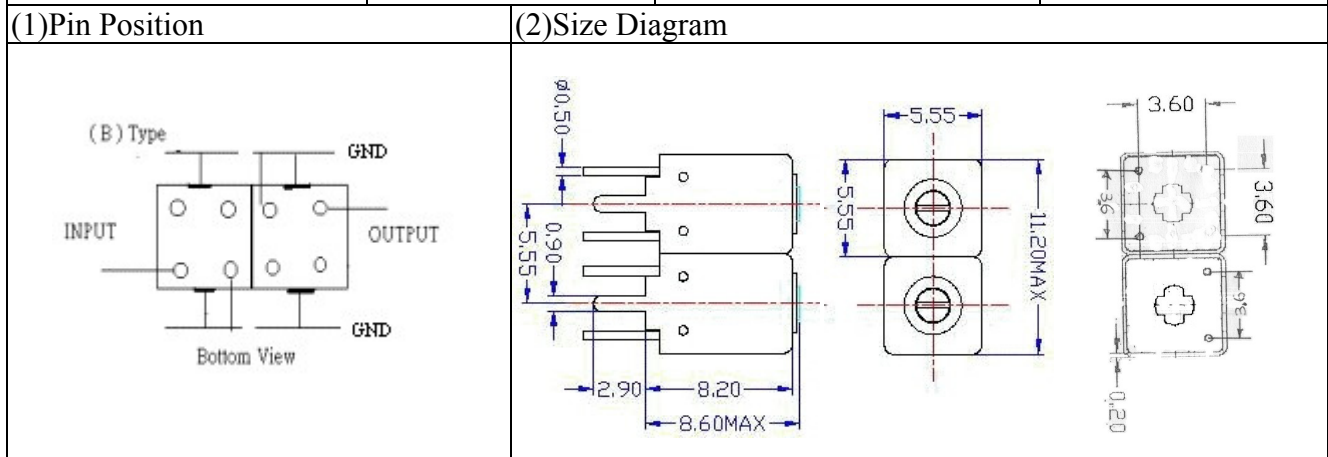


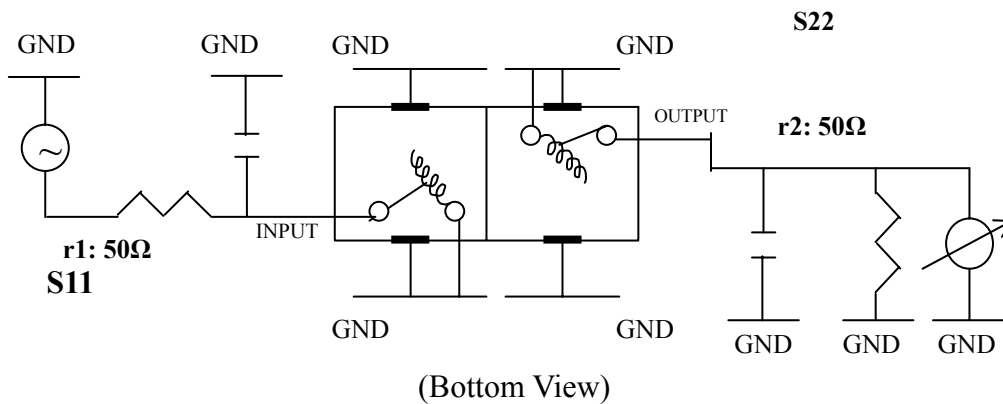
# VHF UHF Helical Filter Specification Sheet

Customer Name		Temwell's Part No.	TDW2630B-435M
Approval No. /dated	20411112DC	Temwell's print Name.	2630B 435M
Work Instruction No.	204407075C	Date	Oct.04.2011



(3)Electric Charasteric	
Item	Specify
Center Freq.(Fo ) +/- 0.5 %	435 MHz
Insertion Loss	Typ. 2.5 dB
-3 dB Bandwidth	Typ. 33 MHz
Sensitivity (Attenuation )	Fo - 140 MHz    Typ. 27 dBc
	Fo + 140 MHz    Typ. 34 dBc
	Fo - (    )MHz    Typ.    dBc
	Fo +(    )MHz    Typ.    dBc
Return Loss	Min. 12 dB
Ripple	< 1 dB
Impedance	In / Out : 50 Ω
(4)Torque for Tuning Screw	> 60gf cm
(5)Temperature Condition:	
Operating Temperature	0 ~ +60
Storage Temperature	-20 ~ +70
(6)Input Power	> 0.5Watt

(7)Measuring Circuit: Easy to match Impedance 50Ω by parallel with about (--)

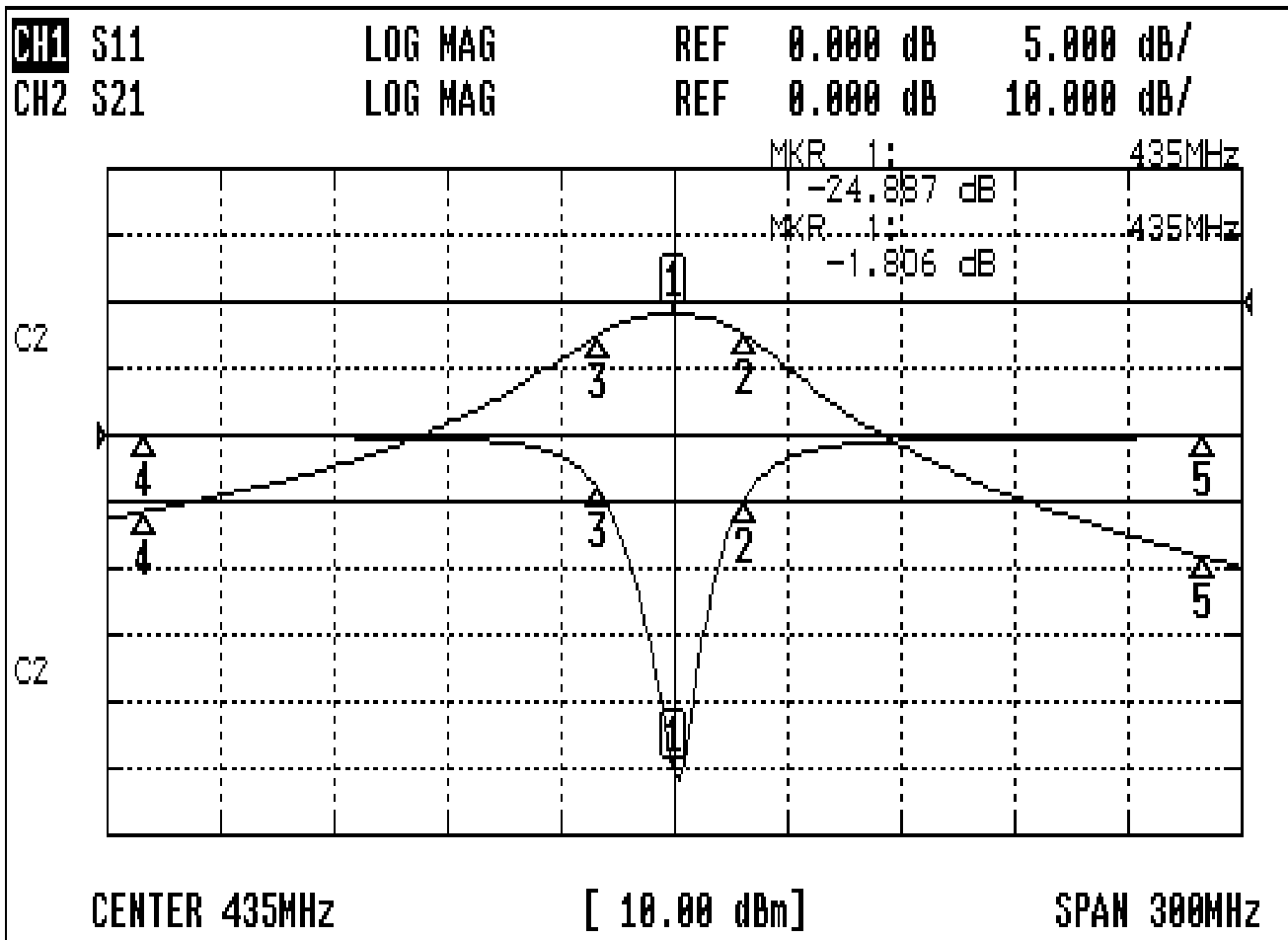


Approval C.Y.Chang	Supervisor C.K.Chang	Designer P.H.Chiang	Aperture size 5W2(3.8*5.1)(5.19) 5HW024LB3
-----------------------	-------------------------	------------------------	--

TEMWELL CORPORATION

# Performance-TDW2630B-435M

## 201107075C



### CH1 MARKER LIST

1:	435.000MHz	-24.887 dB
2:	453.500MHz	-4.920 dB
3:	414.750MHz	-3.926 dB
4:	295.000MHz	-0.107 dB
5:	575.000MHz	-0.112 dB

### CH2 MARKER LIST

1:	435.000MHz	-1.806 dB
2:	453.500MHz	-4.831 dB
3:	414.750MHz	-4.890 dB
4:	295.000MHz	-31.474 dB
5:	575.000MHz	-38.229 dB