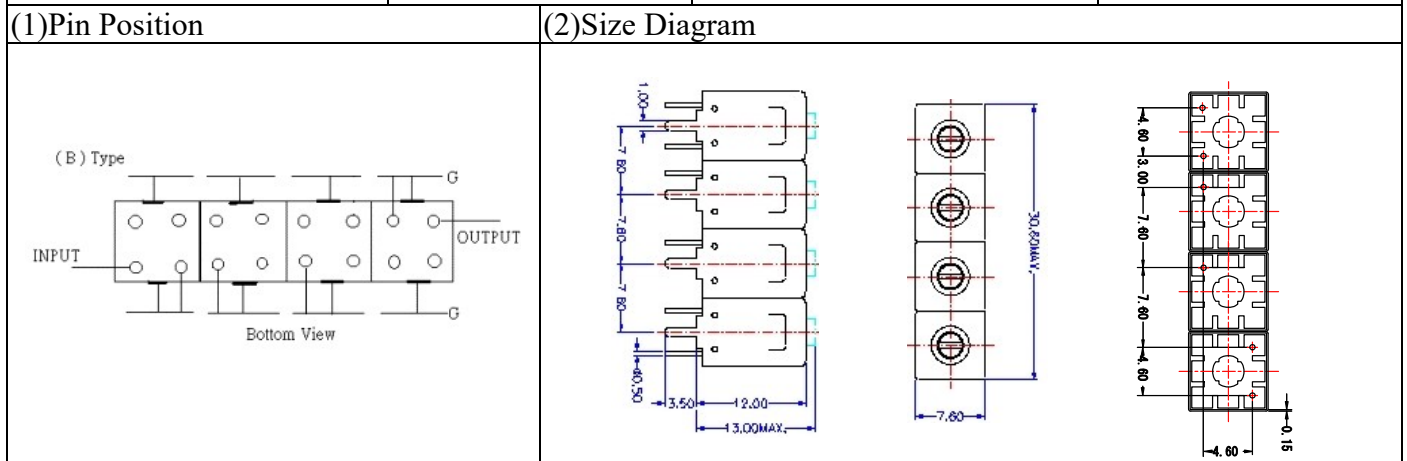
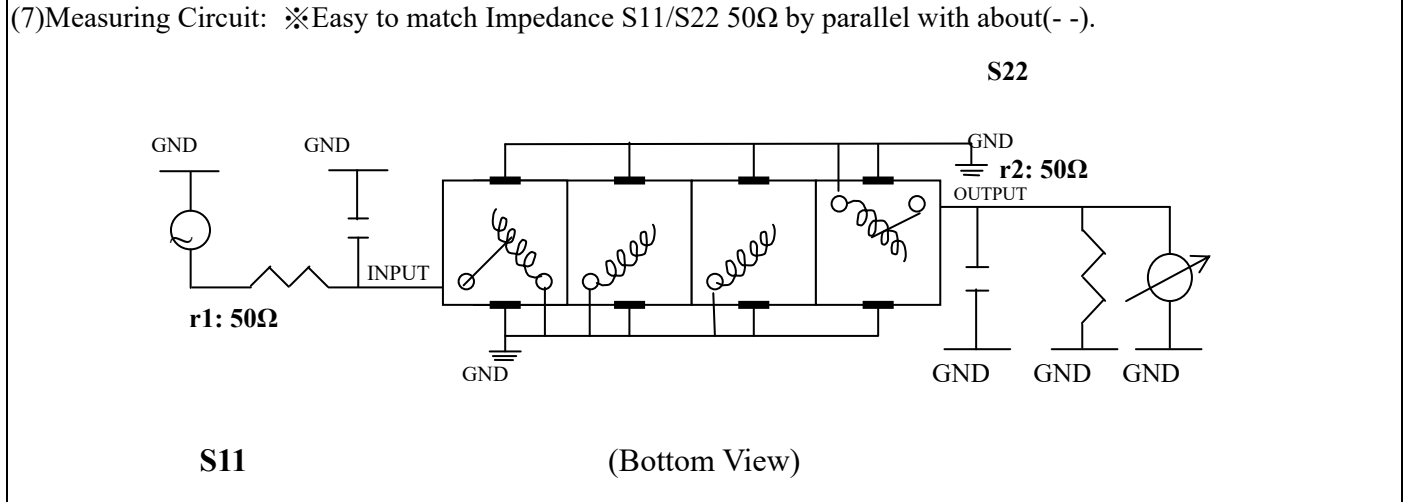


VHF UHF Helical Filter Specification Sheet

Customer Name		Temwell's Part No.	TF69709B-146M
Approval No. /dated	201803022CD	Temwell's Print Name	69709B 146M
Work Instruction No.	201803022CD	Date	Mar.20.2018



(3) Electric Characteristic			
Item		Specify	Performance
Center Freq.(Fo) +/- 0.5 %		146 MHz	146 MHz
Insertion Loss		Typ. 5.0 dB	3.85 dB
-3 dB Bandwidth		Typ. 5 MHz	6.8 MHz
Sensitivity (Attenuation)	Fo - 10 MHz	Typ. 40 dBc	45 dBc
	Fo + 10 MHz	Typ. 30 dBc	35 dBc
	Fo - ()MHz	Typ. dBc	dBc
	Fo +()MHz	Typ. dBc	dBc
Return Loss		Min. 12 dB	19.8 dB
Ripple		< 1 dB	dB
Impedance		In / Out : 50 Ω	In / Out : 50 Ω
(4) Torque for Tuning Screw		> 60gf · cm	
(5) Temperature Condition:			
Operating Temperature		0°C ~ +60°C	
Storage Temperature		-20°C ~ +70°C	
(6) Input Power		> 1Watt	



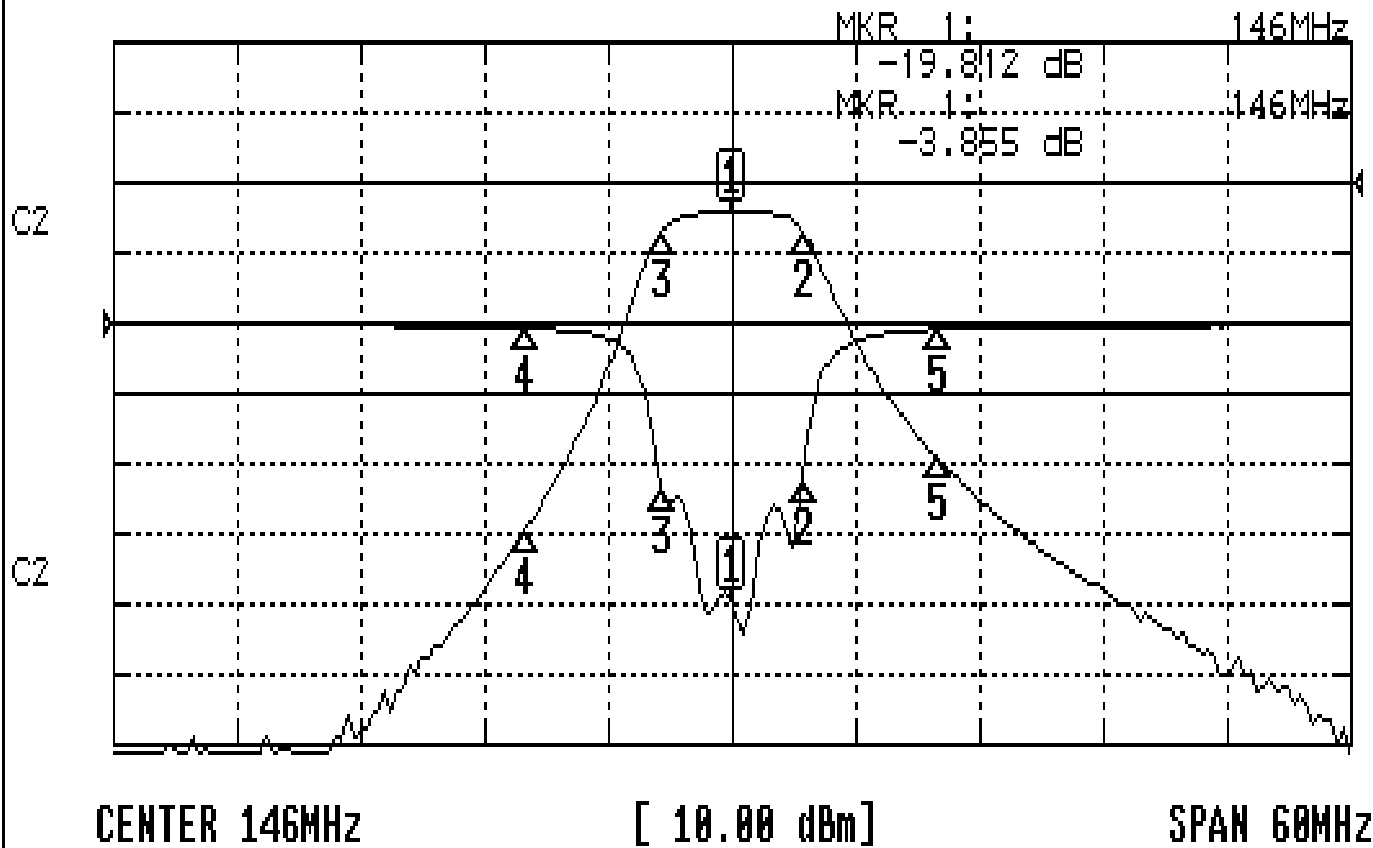
Approval	Supervisor	Designer	Aperture size
C.Y.Chang	C.K.Chang	M.Y.Kang	7H4S(4*6.5)(6.59) 7H024RB4

TEMWELL CORPORATION

Performance-TF69709B-146M

201803022CD

CH1 S11 LOG MAG REF 0.000 dB 5.000 dB/
CH2 S21 LOG MAG REF 0.000 dB 10.000 dB/



CH1 MARKER LIST

1:	146.000MHz	-19.812 dB
2:	149.450MHz	-11.115 dB
3:	142.620MHz	-11.996 dB
4:	136.000MHz	-0.312 dB
5:	156.000MHz	-0.404 dB

CH2 MARKER LIST

1:	146.000MHz	-3.853 dB
2:	149.450MHz	-6.832 dB
3:	142.620MHz	-6.844 dB
4:	136.000MHz	-49.491 dB
5:	156.000MHz	-39.316 dB