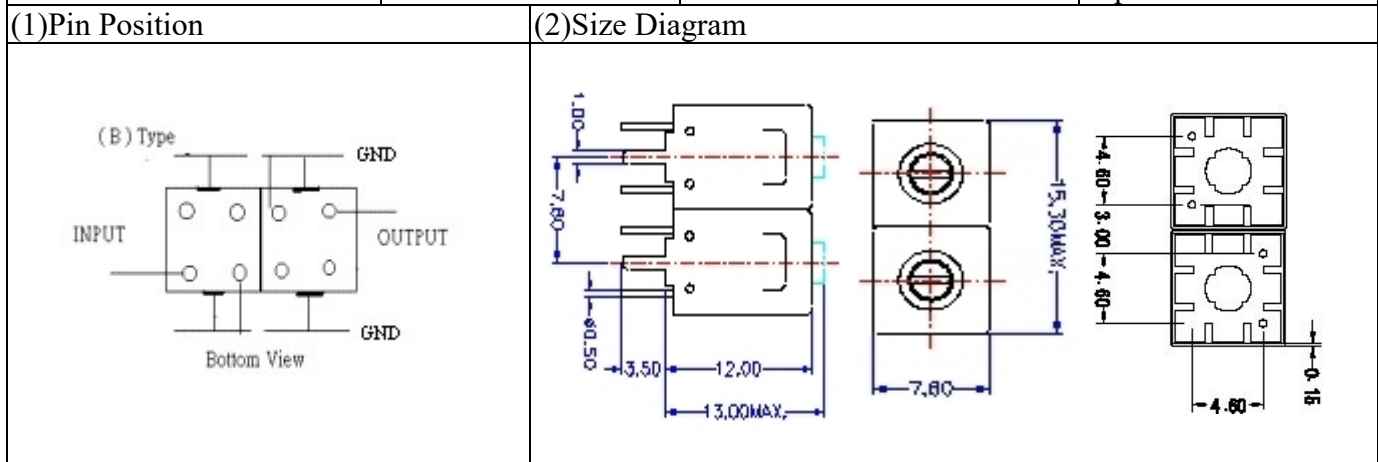


# VHF UHF Helical Filter Specification Sheet

Customer Name		Temwell's Part No.	TD62714B-157M
Approval No. /dated	201709035CD	Temwell's print Name	62714B 157M
Work Instruction No.	201709035CD	Date	Sep.18.2017



### (3) Electric Characteristic

Item	Specify	Performance	
Center Freq.(Fo) +/- 0.5 %	157 MHz	157 MHz	
Insertion Loss	Typ. 3.5 dB	2.83 dB	
-3 dB Bandwidth	Typ. 2 MHz	5.2 MHz	
Sensitivity (Attenuation)	Fo - 10 MHz	Typ. 16 dBc	19 dBc
	Fo + 10 MHz	Typ. 21 dBc	24 dBc
	Fo - ( )MHz	Typ. dBc	dBc
	Fo +( )MHz	Typ. dBc	dBc
Return Loss	Min. 12 dB	20.6 dB	
Ripple	< 1 dB	dB	
Impedance	In / Out : 50 Ω	In / Out : 50 Ω	

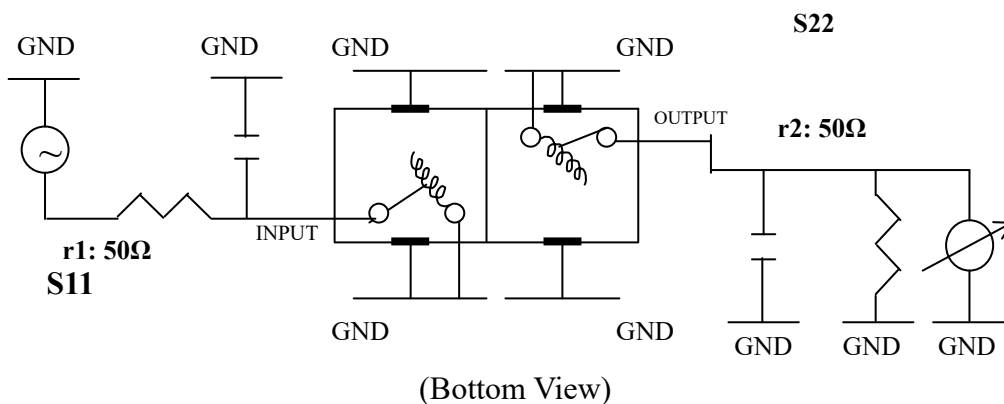
(4) Torque for Tuning Screw > 60gf · cm

### (5) Temperature Condition:

Operating Temperature	0°C ~ +60°C
Storage Temperature	-20°C ~ +70°C

(6) Input Power > 1Watt

(7) Measuring Circuit: ※Easy to match Impedance S11/S22 50Ω by parallel with about (- -).



Approval	Supervisor	Designer	Aperture size
C.Y.Chang	C.K.Chang	C.H.Yeh	7H2S(4*5.35)(5.40) 7H024LB4

TEMWELL CORPORATION

TEMWELL

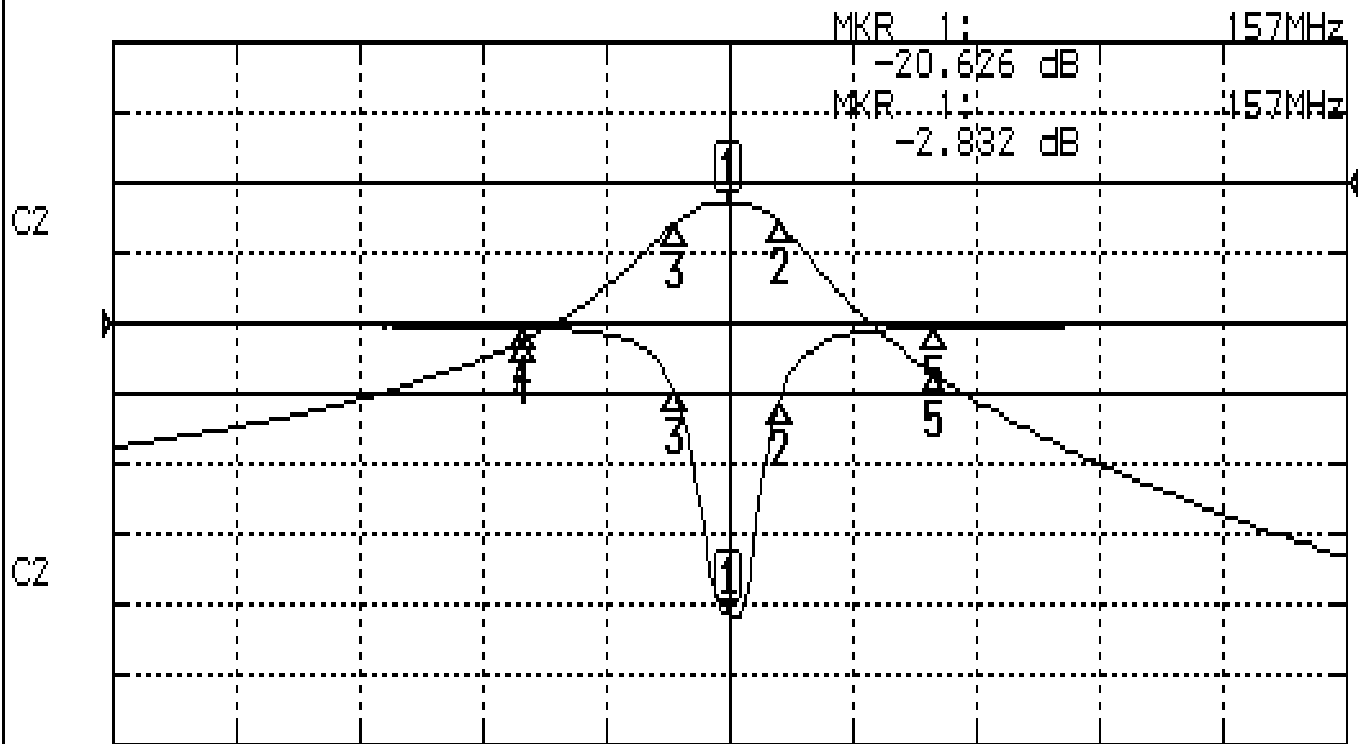
Form10-7H2B Vision D

RP (C.H.Y)

# Performance-TD62714B-157M

## 201709035CD

**CH1** S11                      LOG MAG                      REF 0.000 dB                      5.000 dB/  
**CH2** S21                      LOG MAG                      REF 0.000 dB                      10.000 dB/



CENTER 157MHz

[ 10.00 dBm ]

SPAN 60MHz

### CH1 MARKER LIST

1:	157.000MHz	-20.626	dB
2:	159.500MHz	-5.497	dB
3:	154.300MHz	-4.636	dB
4:	147.000MHz	-0.277	dB
5:	167.000MHz	-0.273	dB

### CH2 MARKER LIST

1:	157.000MHz	-2.832	dB
2:	159.500MHz	-1.046	dB
3:	154.300MHz	-1.048	dB
4:	147.000MHz	-22.330	dB
5:	167.000MHz	-27.262	dB