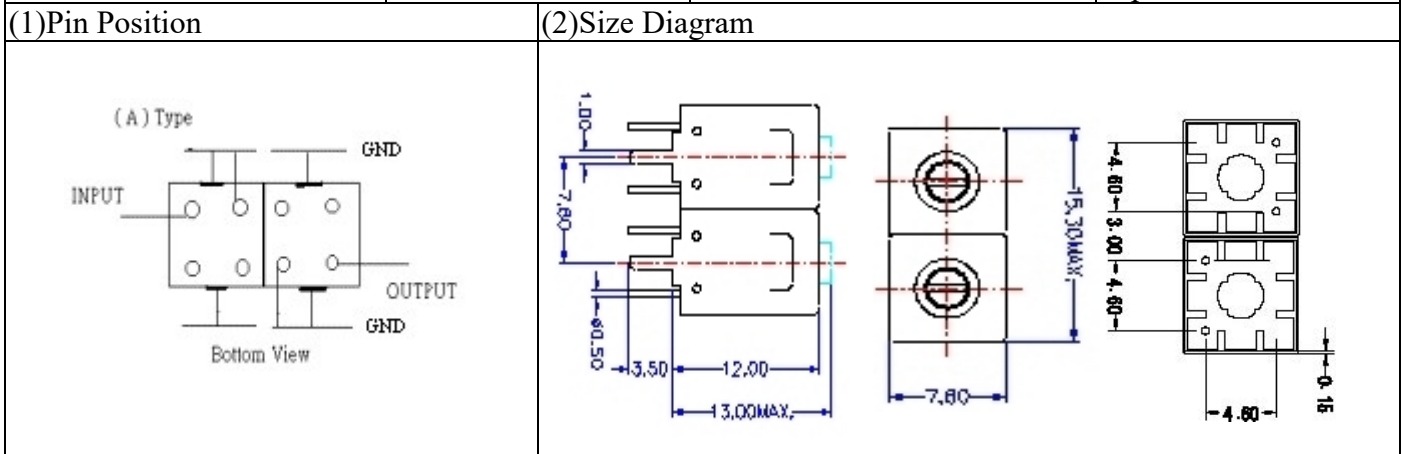


VHF UHF Helical Filter Specification Sheet

Customer Name		Temwell's Part No.	TD62716A-172M
Approval No. /dated	201709037CD	Temwell's Print Name.	62716A 172M
Work Instruction No.	201709037CD	Date	Sep.19.2017



(3) Electric Chararistic

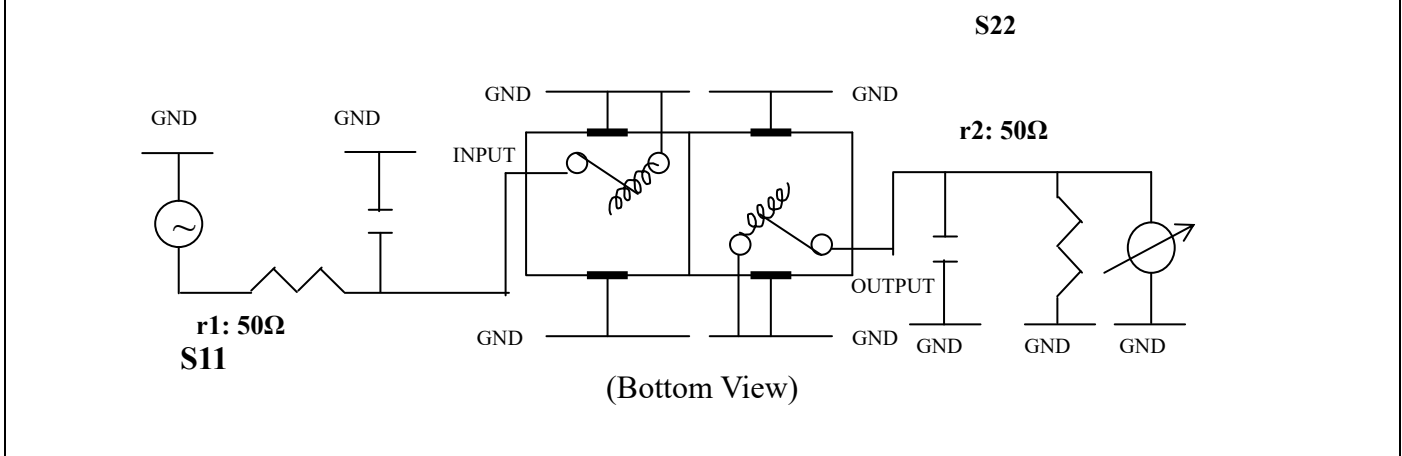
Item	Specify	Performance	
Center Freq.(Fo) +/- 0.5 %	172 MHz	172 MHz	
Insertion Loss	Typ. 3.5 dB	2.67 dB	
-3 dB Bandwidth	Typ. 2 MHz	5.5 MHz	
Sensitivity (Attenuation)	Fo -10 MHz	Typ. 14 dBc	18 dBc
	Fo +10 MHz	Typ. 18 dBc	23 dBc
	Fo -()MHz	Typ. dBc	dBc
	Fo +()MHz	Typ. dBc	dBc
Return Loss	Min. 12 dB	22.9 dB	
Ripple	< 1 dB	dB	
Impedance	In / Out : 50 Ω	In / Out : 50 Ω	
(4) Torque for Tuning Screw	> 60gf • cm		

(5) Temperature Condition:

Operating Temperature	0°C ~ +60°C
Storage Temperature	-20°C ~ +70°C

(6) Input Power

(7) Measuring Circuit: ※Easy to match Impedance 50Ω by parallel with about (- -).



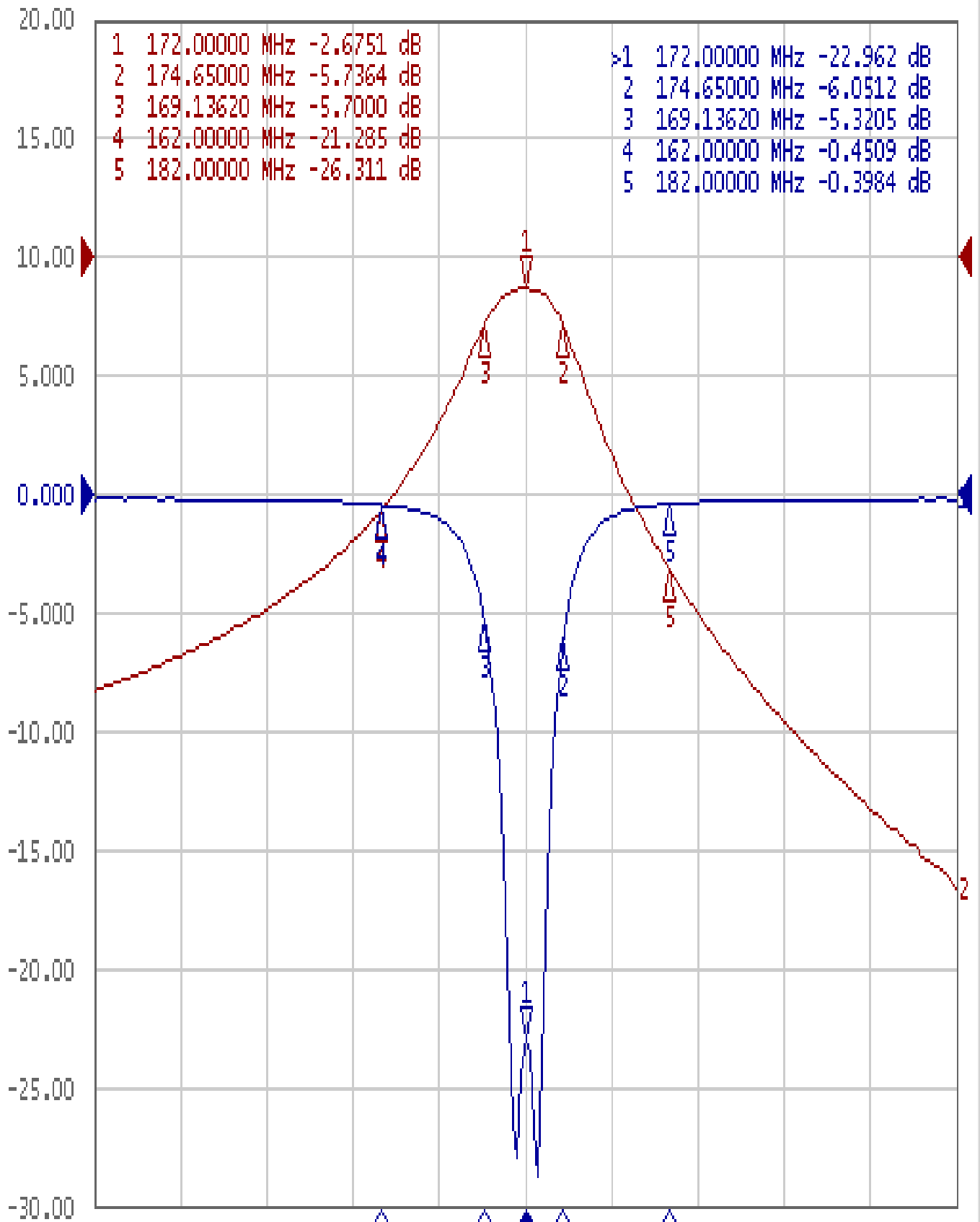
Approval	Supervisor	Designer	Aperture size
C.Y.Chang	C.K.Chang	W.W.Wang	7H2S(4*5.35)(5.38) 7H024RB4

TEMWELL CORPORATION

Performance-TD62716A-172M

201709037CD

Tr1 S11 Log Mag 5.000dB/ Ref 0.000dB [F2]
Tr2 S21 Log Mag 10.00dB/ Ref 0.000dB [F2]



1 Center 172 MHz

IFBW 70 kHz

Span 60 MHz Cor !