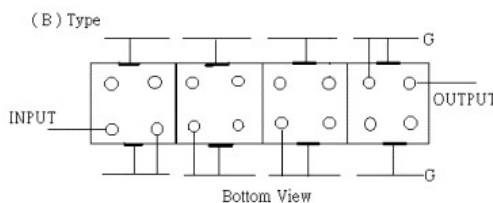
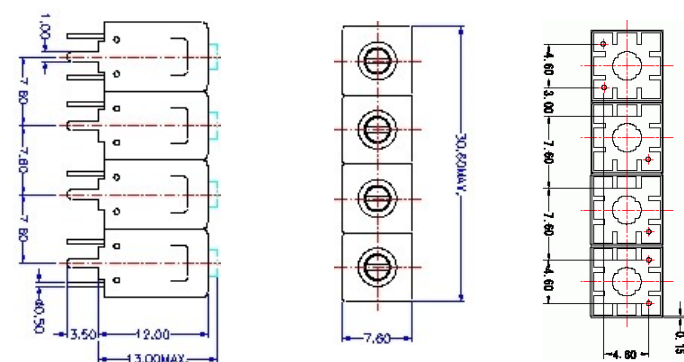


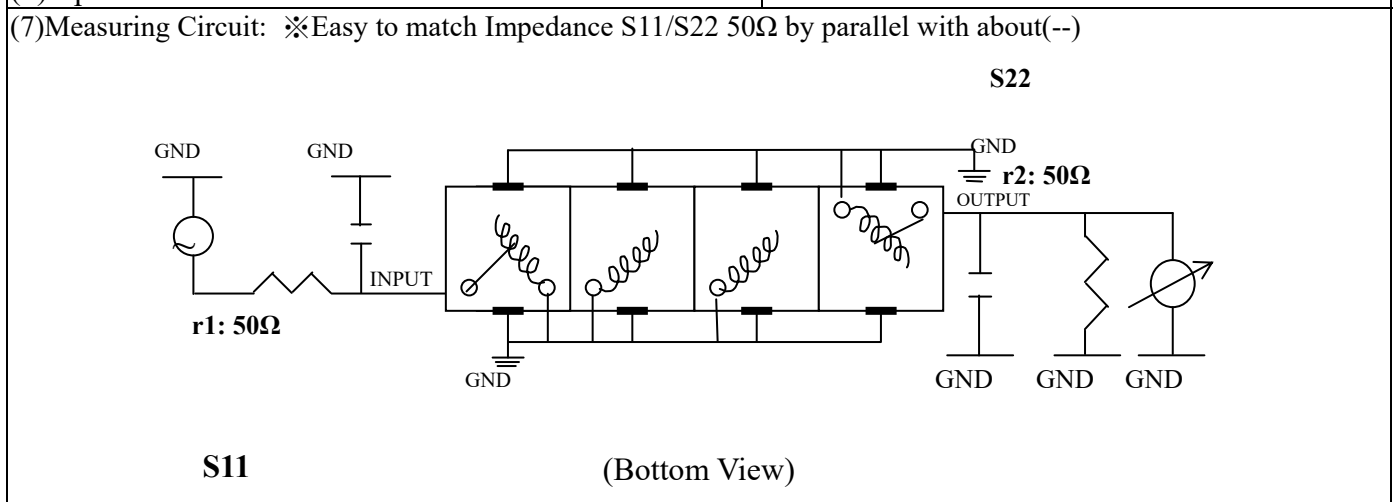
VHF UHF Helical Filter Specification Sheet

Customer Name		Temwell's Part No.	TF64722B-157M
Approval No. /dated	201802049CD	Temwell's Print Name	64722B 157M
Work Instruction No.	201802049CD	Date	Mar.20.2018

(1)Pin Position	(2)Size Diagram
 <p>(B) Type</p> <p>INPUT</p> <p>OUTPUT</p> <p>Bottom View</p>	

(3)Electric Charasteric			
Item	Specify	Performance	
Center Freq.(Fo) +/- 0.5 %	157 MHz	157 MHz	
Insertion Loss	Typ. 7.5 dB	6.25 dB	
-3 dB Bandwidth	Typ. 2 MHz	4.1 MHz	
Sensitivity (Attenuation)	Fo - (10)MHz	Typ. 54 dBc	59 dBc
	Fo + (10)MHz	Typ. 43 dBc	48 dBc
	Fo - ()MHz	Typ. dB	dB
	Fo +()MHz	Typ. dB	dB
Return Loss	Min. 12 dB	17.3 dB	
Ripple	< 1 dB	dB	
Impedance	In / Out : 50 Ω	In / Out : 50 Ω	
(4)Torque for Tuning Screw	> 60gf • cm		

(5)Temperature Condition:	
Operating Temperature	0°C ~ +60°C
Storage Temperature	-20°C ~ +70°C
(6)Input Power	> 1Watt



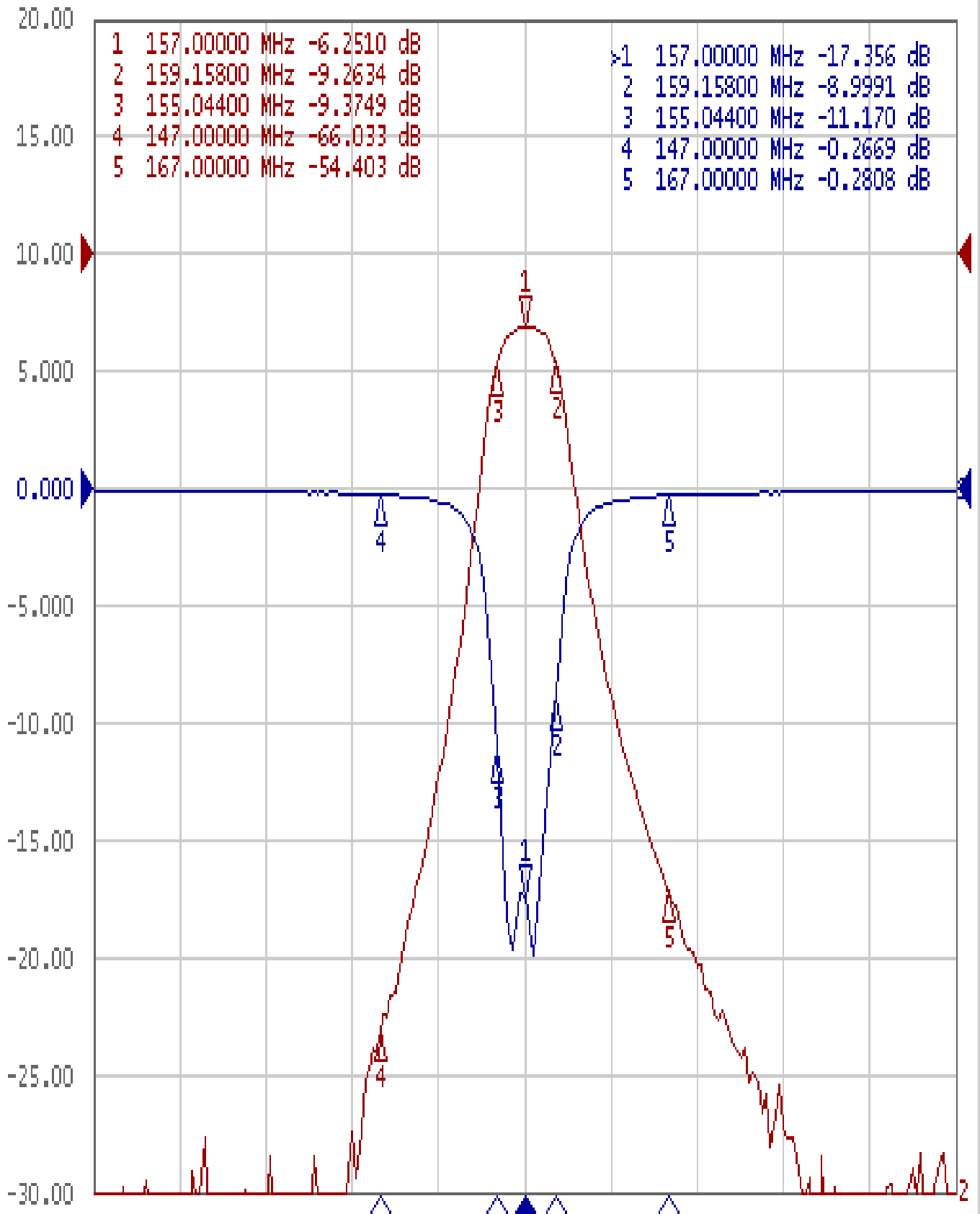
Approval	Supervisor	Designer	Aperture size
C.Y.Chang	C.K.Chang	Z.Y.Wang	7H4S(4*5.5)(5.53) 7H024LB4
TEMWELL CORPORATION			

Performance-TF64722B-157M

201802049CD

Tr1 S11 Log Mag 5.000dB/ Ref 0.000dB [F2]

Tr2 S21 Log Mag 10.00dB/ Ref 0.000dB [F2]



1 Center 157 MHz

IFBW 70 kHz

Span 60 MHz Cor !