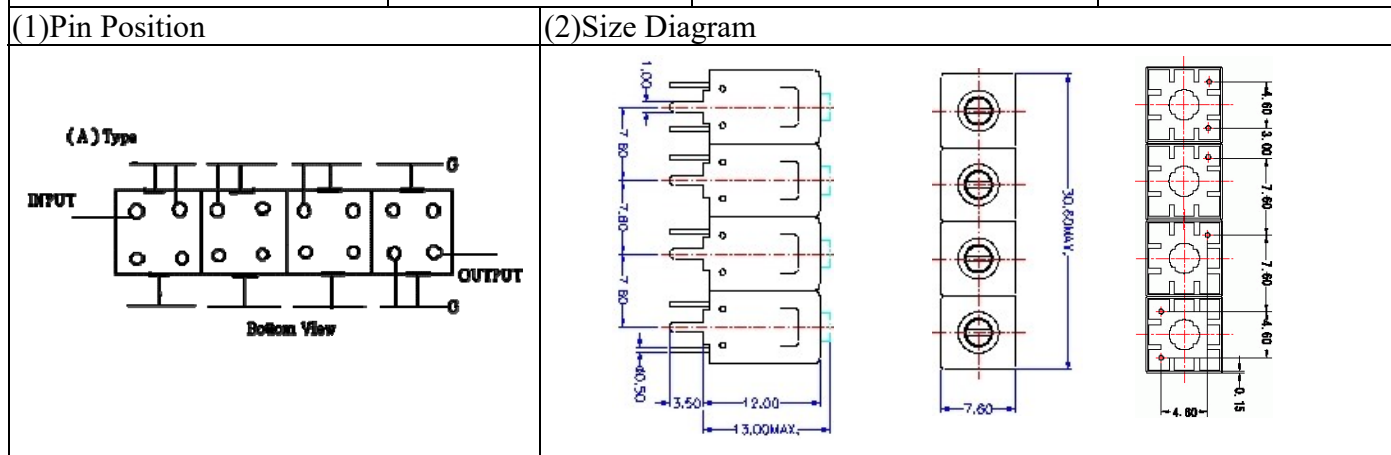


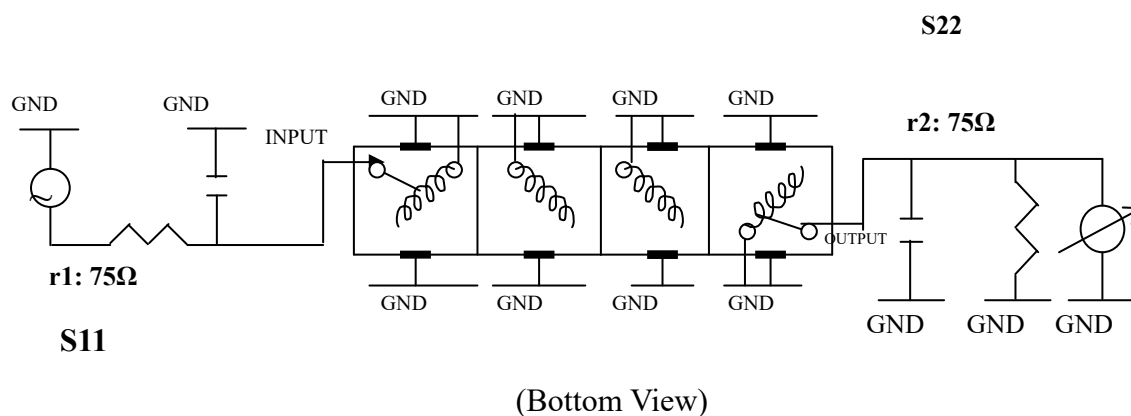
VHF UHF Helical Filter Specification Sheet

Customer Name		Temwell's Part No.	TF64724A-172M
Approval No. /dated	201802051CD	Temwell's Print Name	64724A 172M
Work Instruction No.	201802051CD	Date	Mar.22.2018



(3) Electric Characteristic			
Item		Specify	Performance
Center Freq.(Fo) +/- 0.5 %		172 MHz	172 MHz
Insertion Loss		Typ. 6.5 dB	5.52 dB
-3 dB Bandwidth		Typ. 2 MHz	4.5 MHz
Sensitivity (Attenuation)	Fo - 10 MHz	Typ. 48 dBc	53 dBc
	Fo + 10 MHz	Typ. 37 dBc	42 dBc
	Fo - ()MHz	Typ. dBc	dBc
	Fo +()MHz	Typ. dBc	dBc
Return Loss		Min. 12 dB	23.8 dB
Ripple		< 1 dB	dB
Impedance		In / Out : 50 Ω	In / Out : 50 Ω
(4) Torque for Tuning Screw		> 60gf · cm	
(5) Temperature Condition:			
Operating Temperature		0°C ~ +60°C	
Storage Temperature		-20°C ~ +70°C	
(6) Input Power		> 1Watt	

(7) Measuring Circuit: ※Easy to match Impedance S11/S22 50Ω by parallel with about(- -).



Approval	Supervisor	Designer	Aperture size
C.Y.Chang	C.K.Chang	Z.Y.Wang	7H4S(4*5.35)(5.38) 7H024RB4

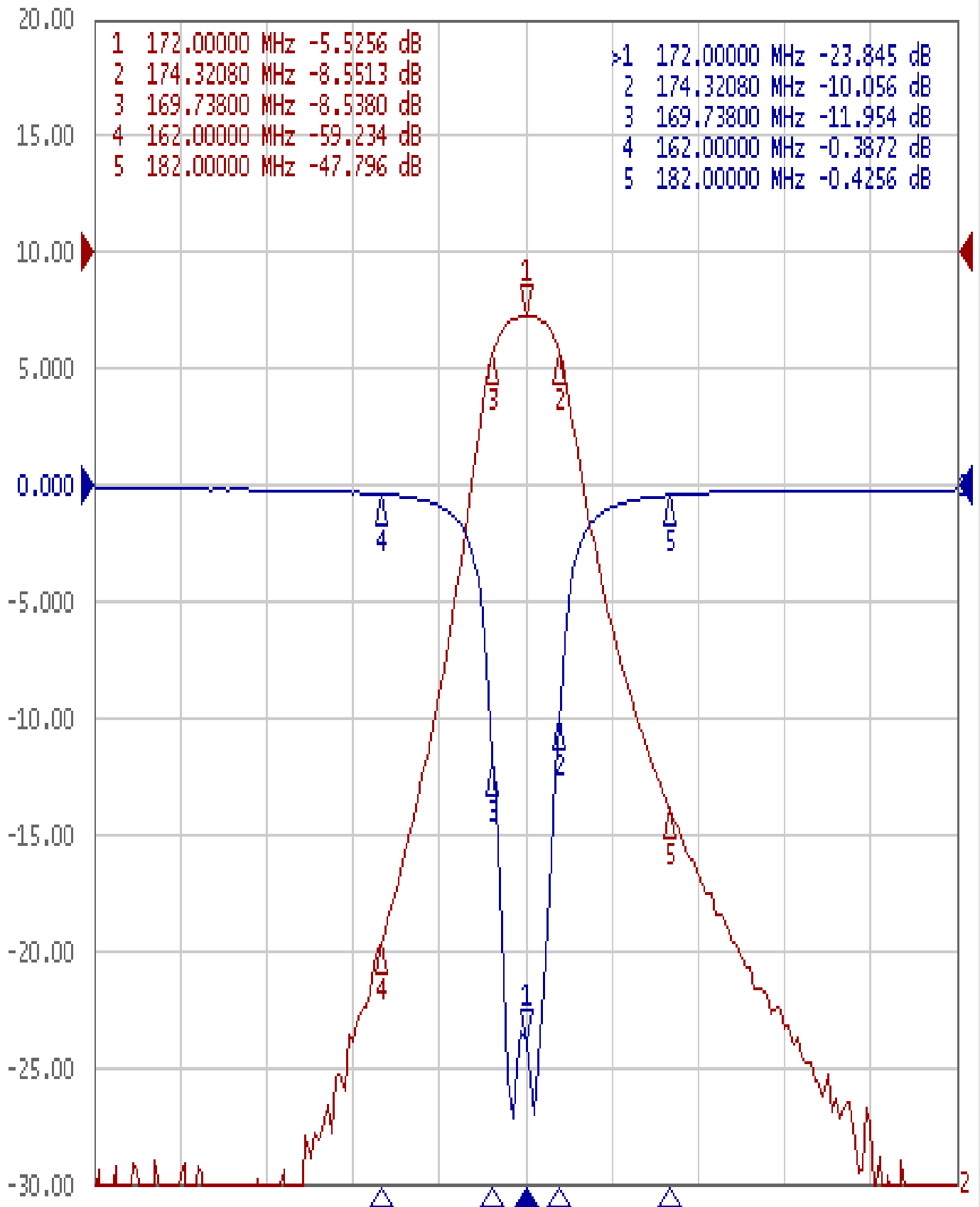
TEMWELL CORPORATION

Performance-TF64724A-172M

201802051CD

Tr1 S11 Log Mag 5.000dB/ Ref 0.000dB [F2]

Tr2 S21 Log Mag 10.000dB/ Ref 0.000dB [F2]



1 Center 172 MHz

IFBW 70 kHz

Span 60 MHz Cor !