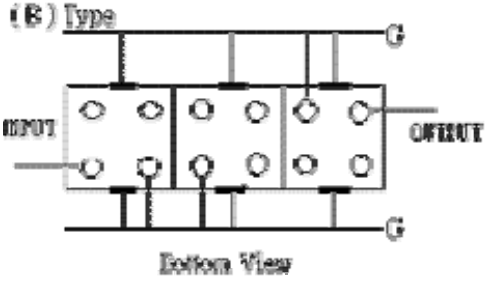
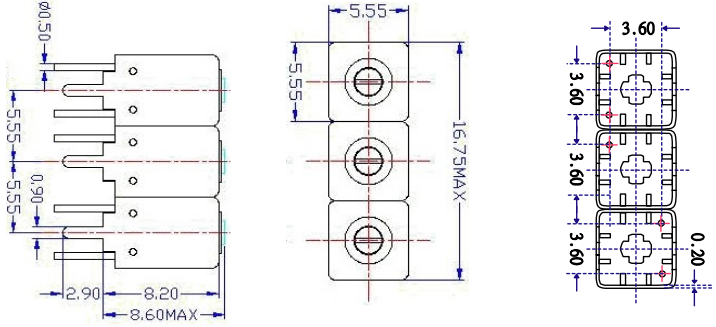


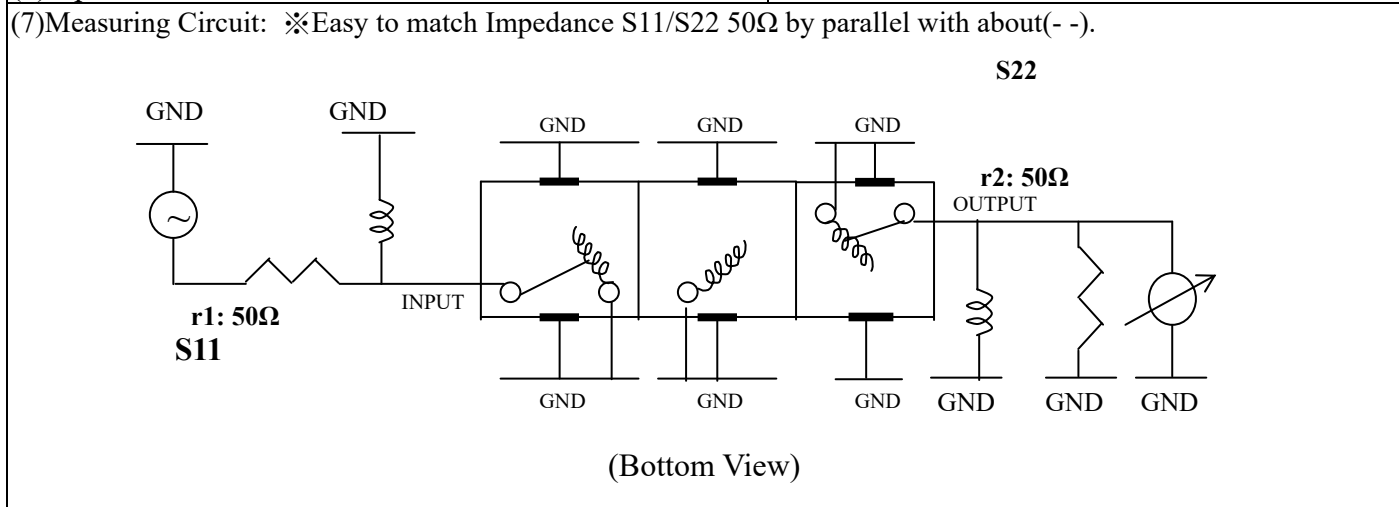
VHF UHF Helical Filter Specification Sheet

Customer Name		Temwell's Part No.	TTW31050B-700M
Approval No. /dated	201711014CD	Temwell's Print Name.	31050B 700M
Work Instruction No.	201711014CD	Date	Dec.04.2017

(1) Pin Position	(2) Size Diagram
 <p>(B) Type</p> <p>Bottom View</p>	

(3) Electric Character			
Item		Specify	Performance
Center Freq.(Fo) +/- 0.5 %		700 MHz	700 MHz
Insertion Loss		Typ. 8.0 dB	6.81 dB
-3 dB Bandwidth		Typ. 5 MHz	10.7 MHz
Sensitivity (Attenuation)	Fo - 50 MHz	Typ. 46 dBc	51 dBc
	Fo + 50 MHz	Typ. 39 dBc	44 dBc
	Fo - ()MHz	Typ. dBc	dBc
	Fo +()MHz	Typ. dBc	dBc
Return Loss		Min. 12 dB	24.0 dB
Ripple		< 1 dB	dB
Impedance		In / Out : 50 Ω	In / Out : 50 Ω
(4) Torque for Tuning Screw		> 60gf · cm	

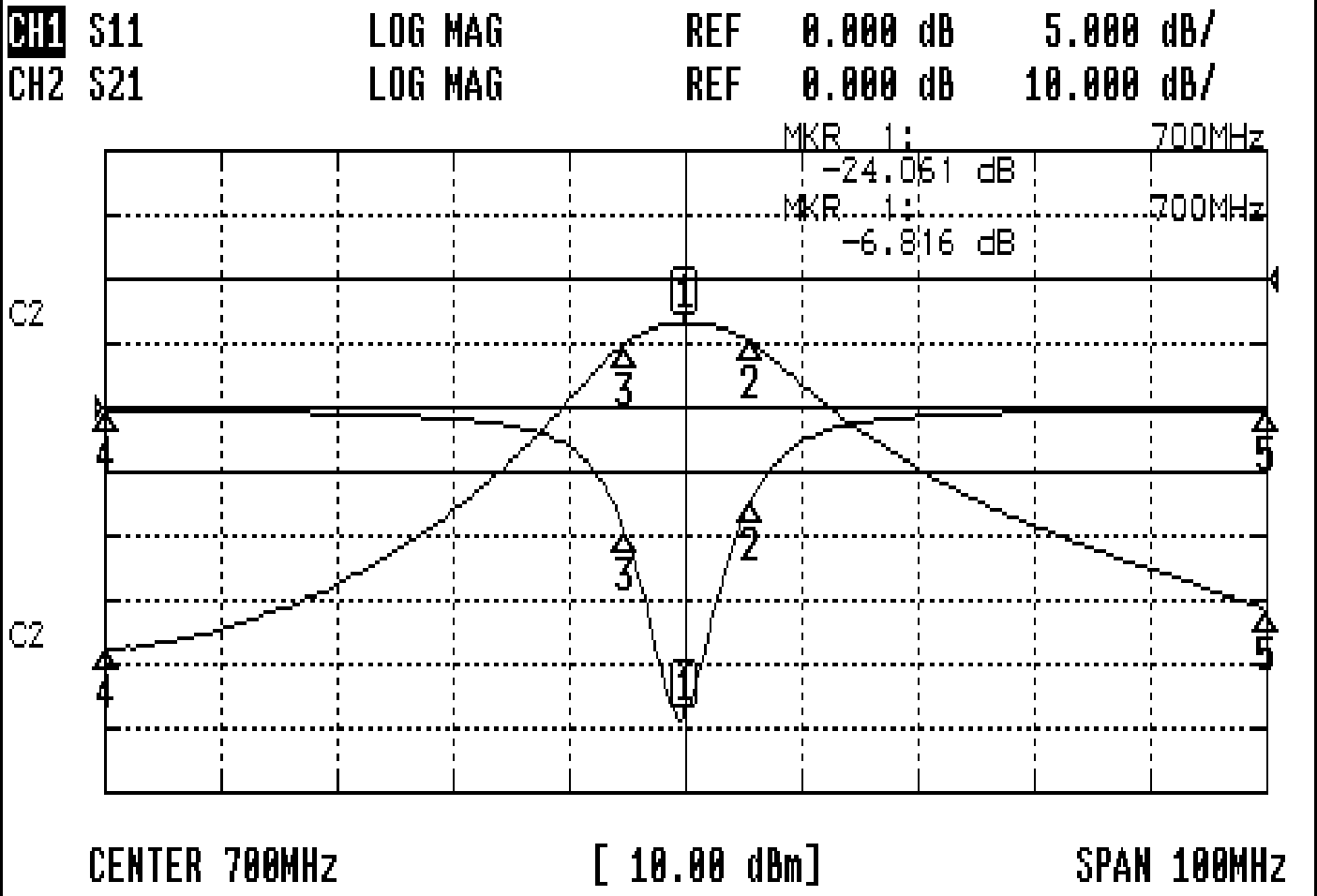
(5) Temperature Condition:	
Operating Temperature	0°C ~ +60°C
Storage Temperature	-20°C ~ +70°C
(6) Input Power	> 0.5Watt



Approval	Supervisor	Designer	Aperture size
C.Y.Chang	C.K.Chang	M.Y.Kang	5W3S(3.8*3.5)(3.58) 5HW024RB3
TEMWELL CORPORATION			

Performance-TTW31050B-700M

201711014CD



CH1 MARKER LIST

1:	700.000MHz	-24.086	dB
2:	705.666MHz	-7.371	dB
3:	694.916MHz	-9.867	dB
4:	650.000MHz	-0.270	dB
5:	750.000MHz	-0.221	dB

CH2 MARKER LIST

1:	700.000MHz	-6.816	dB
2:	705.666MHz	-9.061	dB
3:	694.916MHz	-9.330	dB
4:	650.000MHz	-1.350	dB
5:	750.000MHz	-1.275	dB