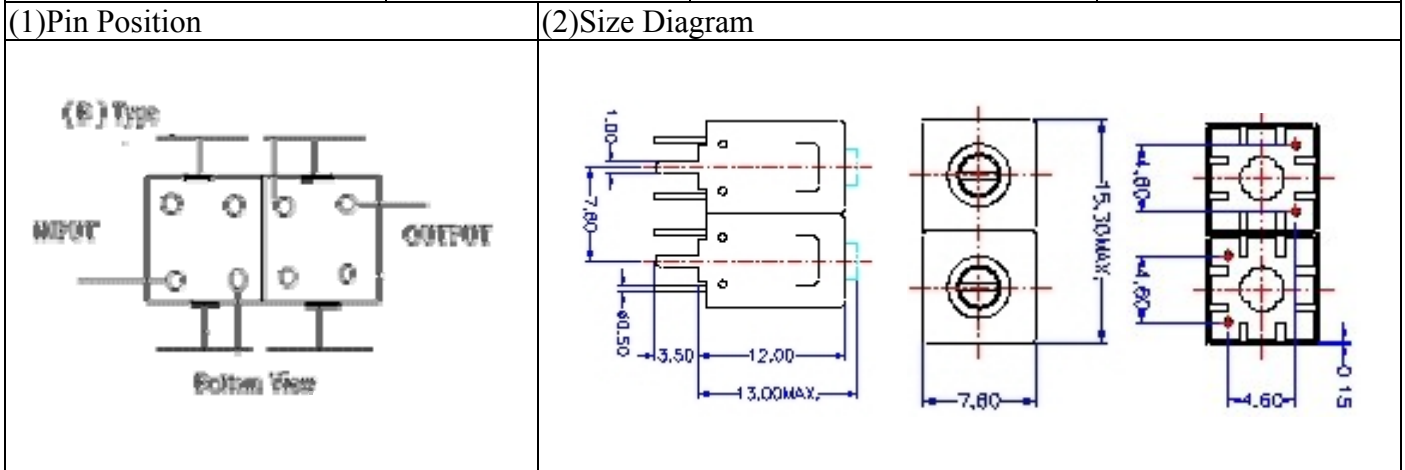


# VHF UHF Helical Filter Specification Sheet

Customer Name		Temwell's Part No.	K2B1-490M-13M
Approval No. /dated	20402062DC	Customer's Part No.	7HW-47530A-490
Work Instruction No.	20402062DC	Date	Feb.14.2004

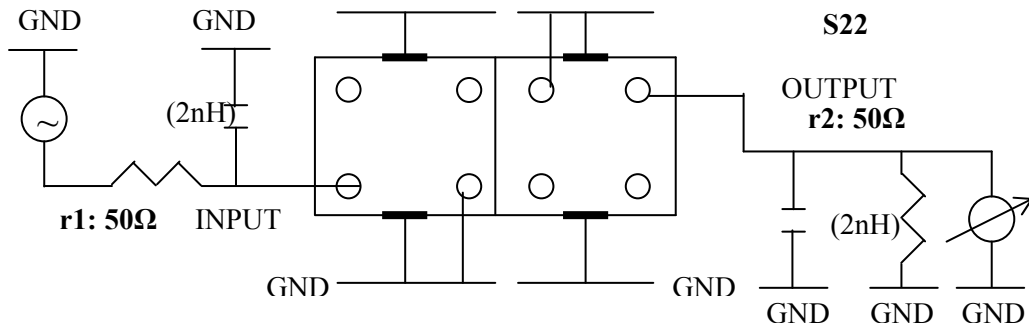


(3) Electric Characteristic			
Item		Specify	Performance
Center Freq.(Fo) +/- 0.5 %		490 MHz	490 MHz
Tunable Range: <input type="checkbox"/> Fo±5MHz <input type="checkbox"/> Fo±10MHz <input type="checkbox"/> Fo±15MHz		490±5 MHz	490±5 MHz
Insertion Loss		Max. 2.5 dB	1.3 dB
-3 dB Bandwidth		Typ. 13 MHz	17 MHz
Sensitivity (Attenuation)	Fo - 50 MHz	Typ. 20 dBc	30 dBc
	Fo + 50 MHz	Typ. 20 dBc	22 dBc
	Fo - ( )MHz	Typ. dBc	dBc
	Fo +( )MHz	Typ. dBc	dBc
Return Loss		Min. 12 dB	22 dB
Ripple		< 1 dB	dB
Impedance		In / Out : 50 Ω	In / Out : 50 Ω
(4) Torque for Tuning Screw		> 60gf · cm	

(5) Temperature Condition:	
Operating Temperature	0°C ~ +60°C
Storage Temperature	20°C ~ +70°C

(6) Input Power > 1Watt

(7) Measuring Circuit: ※Easy to match Impedance 50Ω by parallel with about ( 2 )nH.



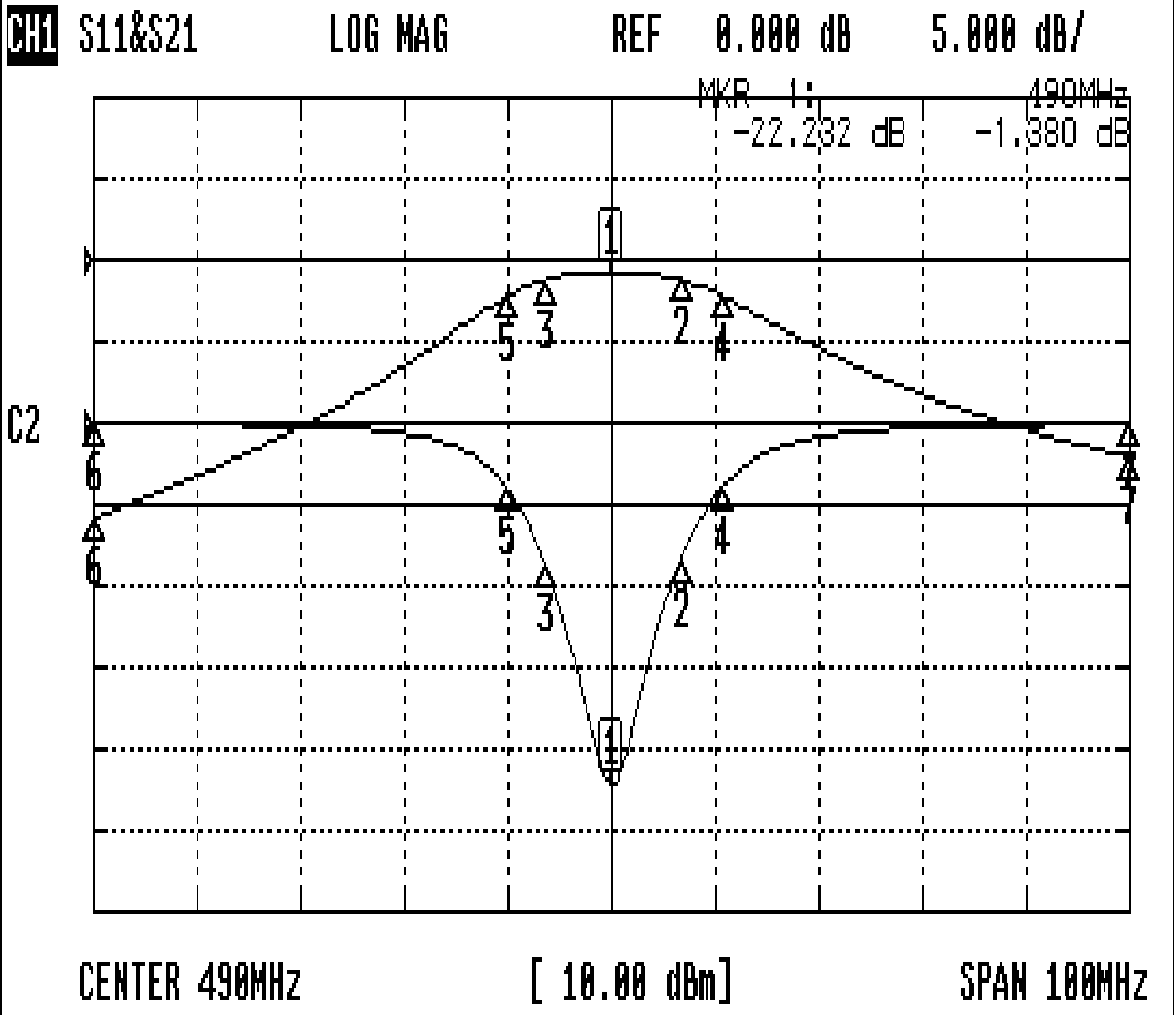
(Bottom View)

Approval	Supervisor	Designer	Aperture size
C.Y.Chang	C.S.Chang	Enlan	7H2(4*6.5)(4*6.62)F 7H046RB4

TEMWELL CORPORATION

# Performance-K2B1-490M-13M

## 20402062DC



### CH1 MARKER LIST

1:	490.000MHz	-22.234 dB	-1.384 dB
2:	496.750MHz	-8.372 dB	-2.390 dB
3:	483.666MHz	-8.630 dB	-2.342 dB
4:	500.750MHz	-3.872 dB	-4.395 dB
5:	480.003MHz	-4.040 dB	-4.323 dB
6:	440.000MHz	-0.067 dB	-31.667 dB
7:	540.000MHz	-0.088 dB	-24.122 dB