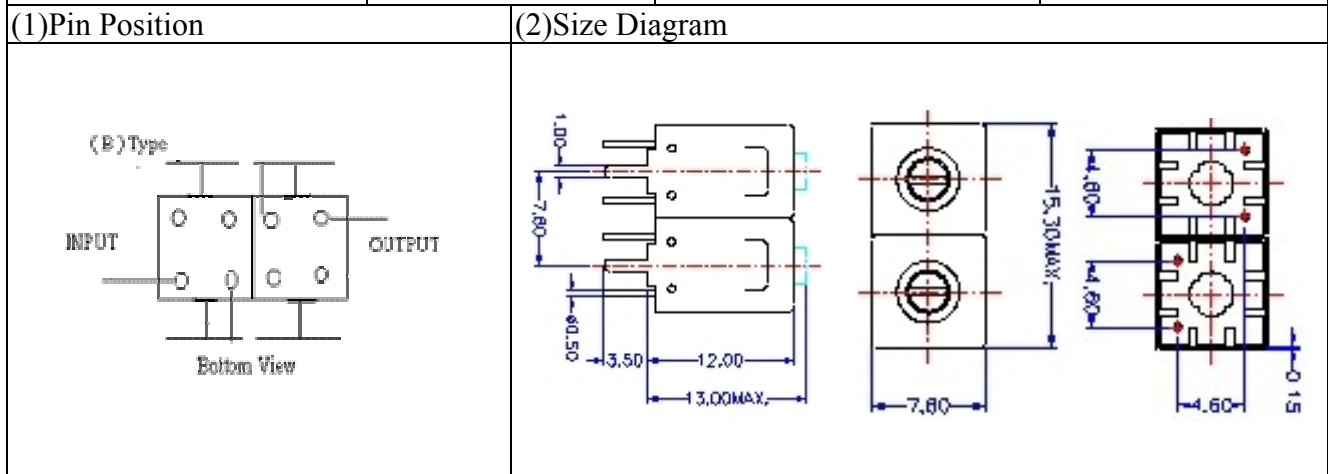


# VHF UHF Helical Filter Specification Sheet

Customer Name		Temwell's Part No.	K2B1-525M-13M
Approval No. /dated	20402064DC	Customer's Part No.	
Work Instruction No.	20402064DC	Date	Feb.16. 2004



### (3) Electric Characteristic

Item	Specify	Performance	
Center Freq.(Fo) +/- 0.5 %	525 MHz	525 MHz	
Tunable Range: Fo±5MHz Fo±10MHz Fo±15MHz	525±5 MHz	525±5 MHz	
Insertion Loss	Typ. 2.5 dB	1.5 dB	
-3 dB Bandwidth	Typ. 13 MHz	18 MHz	
Sensitivity (Attenuation)	Fo - 50 MHz	Typ. 25 dBc	35 dBc
	Fo + 50 MHz	Typ. 20 dBc	26 dBc
	Fo - ( )MHz	Typ. dBc	dBc
	Fo +( )MHz	Typ. dBc	dBc
Return Loss	Min. 12 dB	35 dB	
Ripple	< 1 dB	dB	
Impedance	In / Out : 50 Ω	In / Out : 50 Ω	

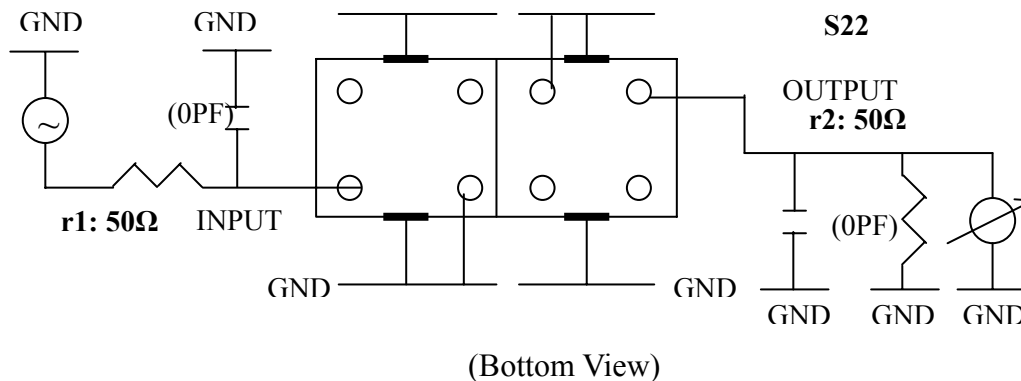
(4) Torque for Tuning Screw > 60gf cm

(5) Temperature Condition:

Operating Temperature	0 ~ +60
Storage Temperature	20 ~ +70

(6) Input Power > 1Watt

(7) Measuring Circuit: Easy to match Impedance 50Ω by parallel with about ( 0 ) PF.



Approval	Supervisor	Designer	Aperture size
C.Y.Chang	C.S.Chang	Enlan	7H2(4*5.5)(4*5.6)F 7H046RB4

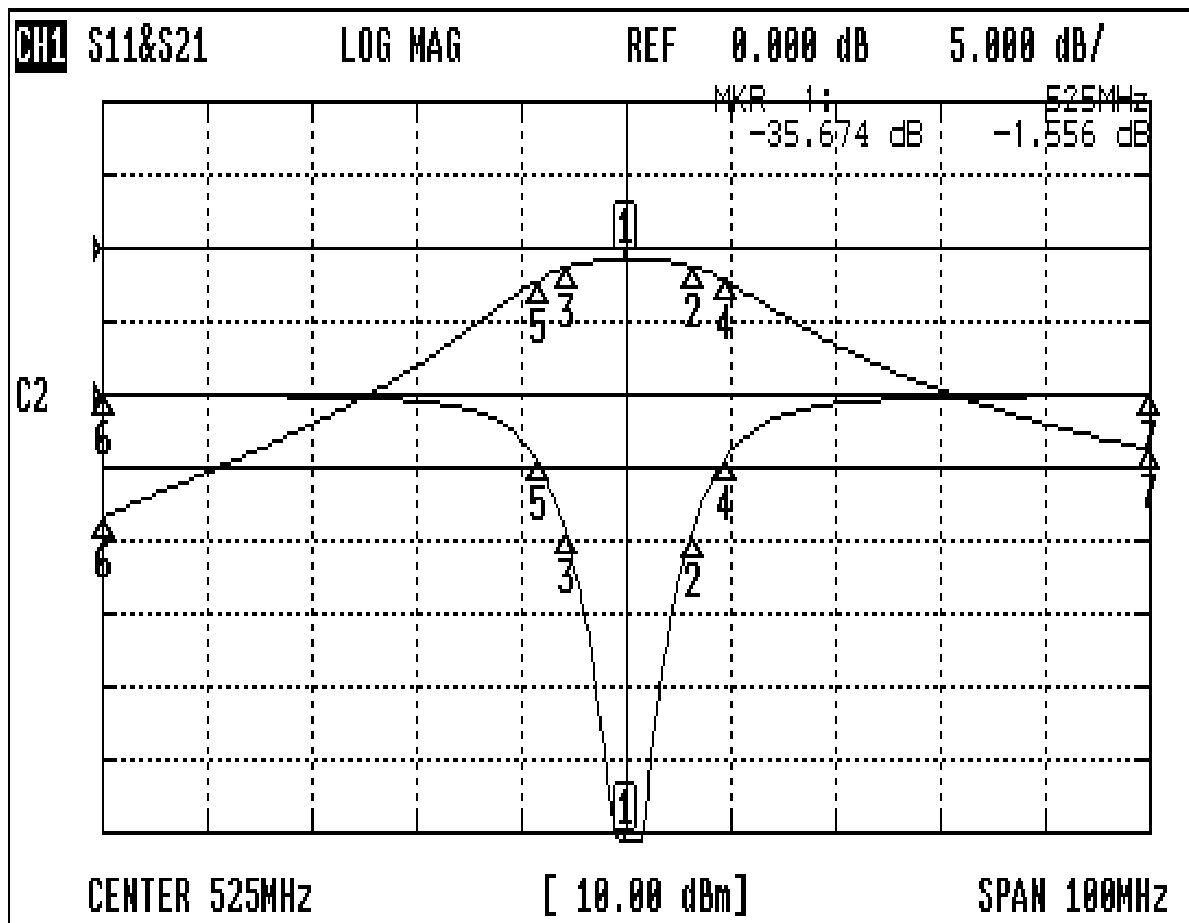
TEMWELL CORPORATION

TEMWELL

Form10-7H2B Vision D

# Performance-K2B1-525M-13M

## 20402064DC



### CH1 MARKER LIST

1:	525.000MHz	-35.674 dB	-1.556 dB
2:	531.333MHz	-9.529 dB	-2.534 dB
3:	519.333MHz	-9.579 dB	-2.580 dB
4:	534.583MHz	-4.375 dB	-4.515 dB
5:	516.500MHz	-4.524 dB	-4.507 dB
6:	475.000MHz	-0.850 dB	-36.777 dB
7:	575.000MHz	-0.072 dB	-27.595 dB
8:			
9:			
10:			