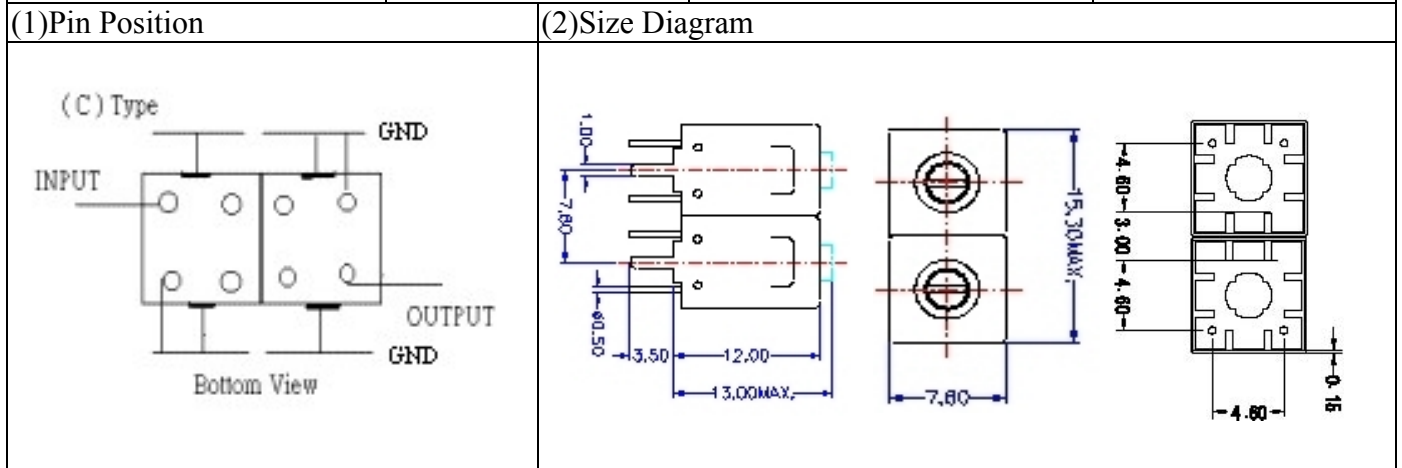


VHF UHF Helical Filter Specification Sheet

Customer Name		Temwell's Part No.	K2C-910M-20M
Approval No. /dated	201310058CD	Temwell's print name	K2C 910M
Work Instruction No.	201310058CD	Date	Oct.25.2013



(3) Electric Characteristic

Item	Specify	Performance	
Center Freq.(Fo) +/- 0.5 %	910 MHz	910 MHz	
Insertion Loss	Typ. 3.0 dB	1.77 dB	
-3 dB Bandwidth	Typ. 20 MHz	27.8 MHz	
Sensitivity (Attenuation)	Fo - 60 MHz	Typ. 15 dB	27 dB
	Fo + 60 MHz	Typ. 12 dB	23 dB
	Fo - ()MHz	Typ. dB	dB
	Fo +()MHz	Typ. dB	dB
Return Loss	Min. 12 dB	37.9 dB	
Ripple	< 1 dB	dB	
Impedance	In / Out : 50 Ω	In / Out : 50 Ω	

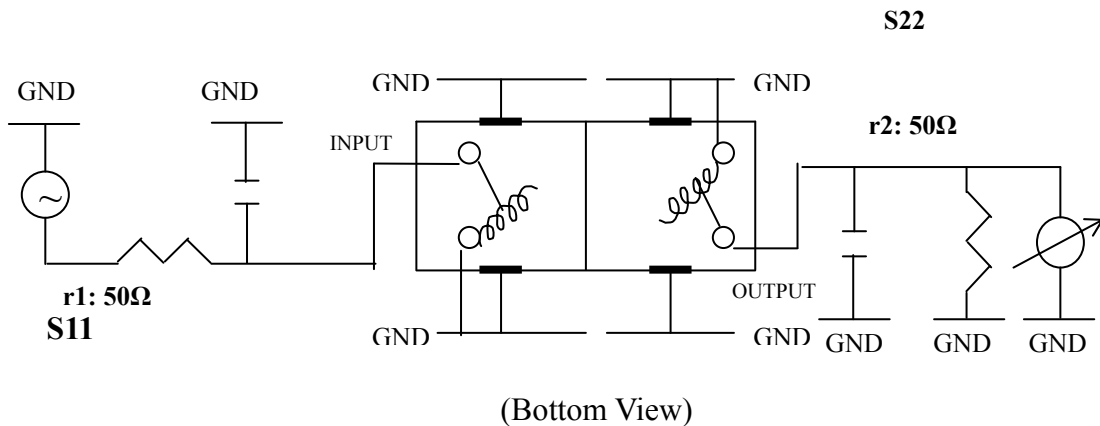
(4) Torque for Tuning Screw > 60gf · cm

(5) Temperature Condition:

Operating Temperature	0°C ~ +60°C
Storage Temperature	-20°C ~ +70°C

(6) Input Power > 1Watt

(7) Measuring Circuit: ※Easy to match Impedance S11/S22 50Ω/ by parallel with about(**)



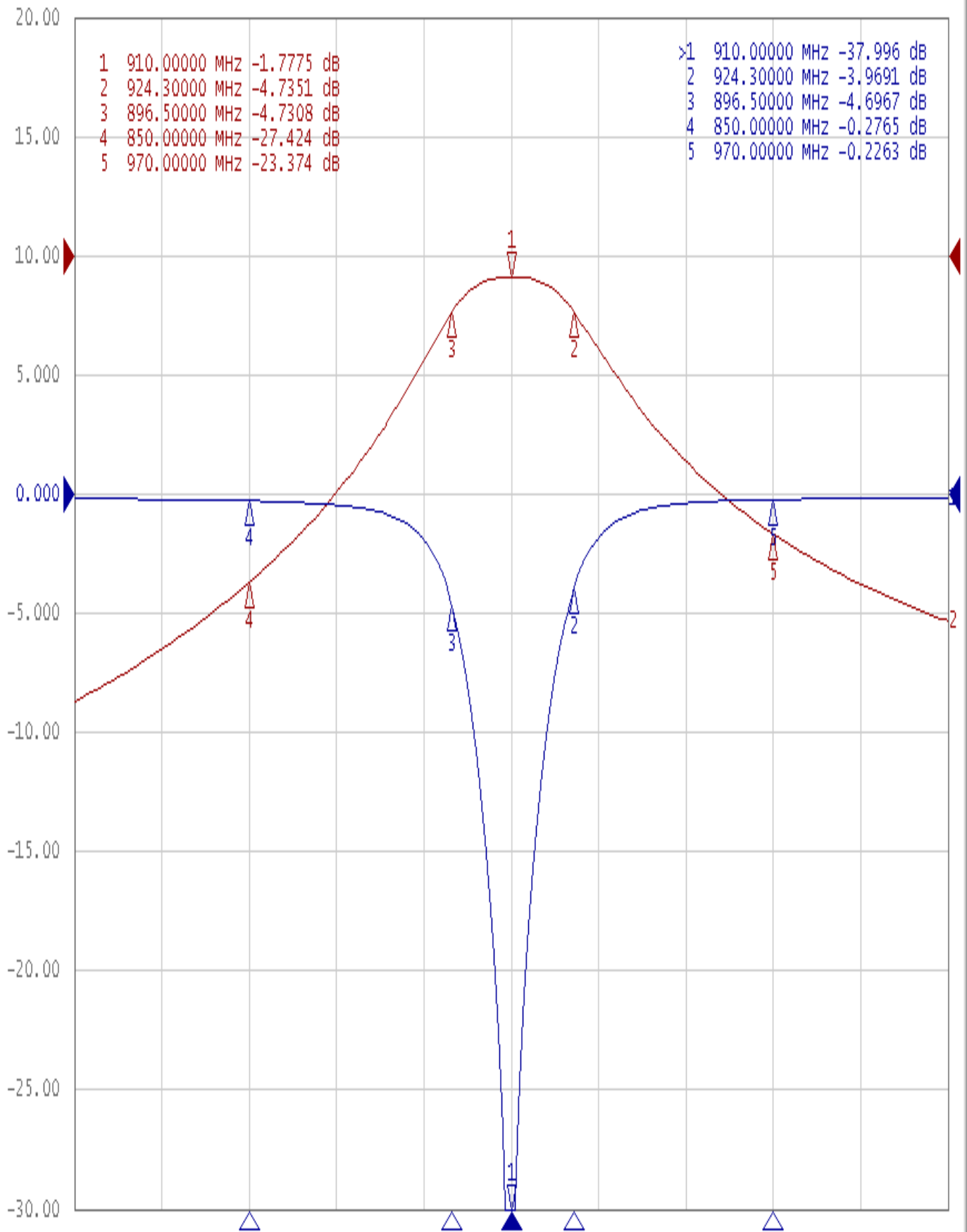
Approval	Supervisor	Designer	Aperture size
C.Y.Chang	C.K.Chang	P.H.Chiang	7H2S-4*5.6(5.63) 7H046RB4

TEMWELL CORPORATION

Performance-K2C-910M-20M

201310058CD

Tr1 S11 Log Mag 5.000dB/ Ref 0.000dB [F2]
Tr2 S21 Log Mag 10.00dB/ Ref 0.000dB [F2]



1 Center 910 MHz

IFBW 70 kHz

Span 200 MHz Cor !