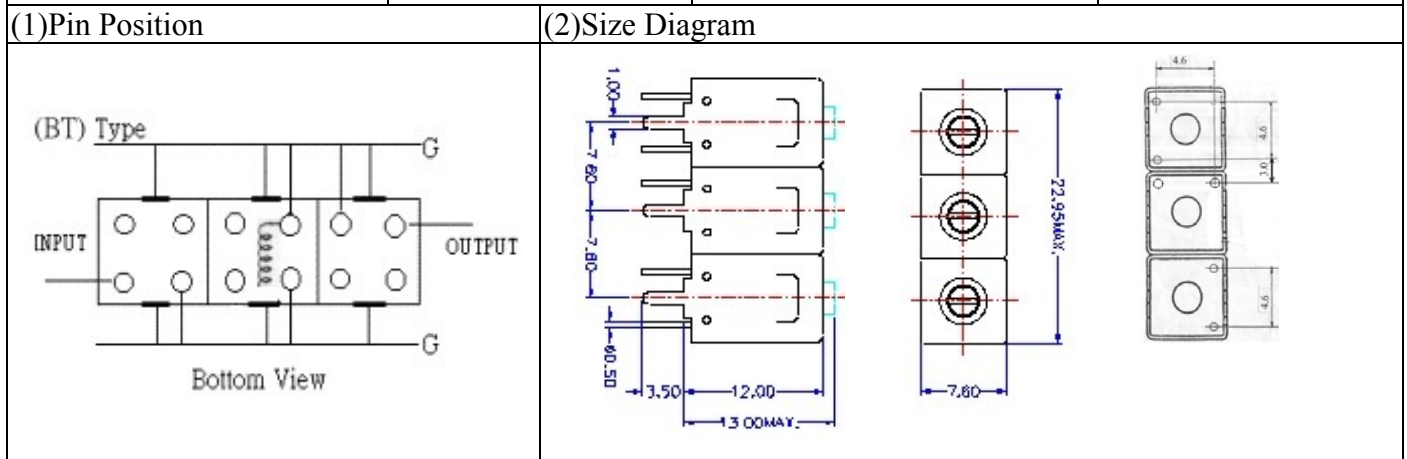


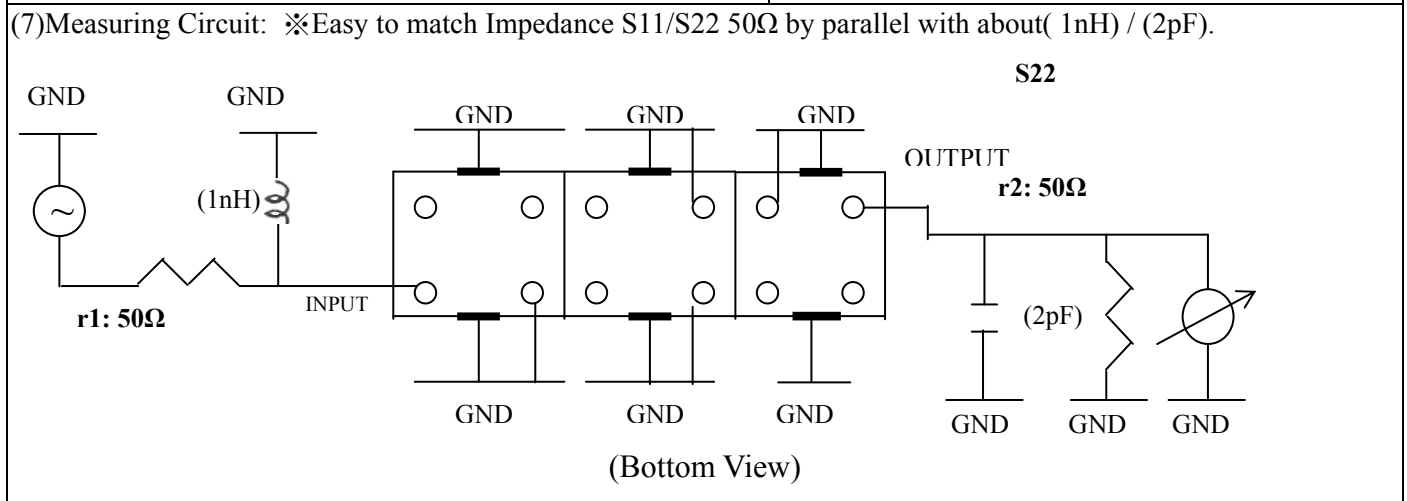
# VHF UHF Helical Filter Specification Sheet

Customer Name		Temwell's Part No.	K3BT-415M-16M
Approval No. /dated	20402072DC	Customer's Part No.	
Work Instruction No.	20402072DC	Date	Feb.27.2004



(3)Electric Charasteric			
Item		Specify	Performance
Center Freq.(Fo) +/- 0.5 %		415 MHz	415 MHz
Tunable Range: <input type="checkbox"/> Fo±5MHz <input type="checkbox"/> Fo±10MHz <input type="checkbox"/> Fo±15MHz		415±15 MHz	415±15 MHz
Insertion Loss		Max. 3.0 dB	1.9 dB
-3 dB Bandwidth		Typ. 16 MHz	20 MHz
Sensitivity (Attenuation)	Fo - 50 MHz	Typ. 40 dBc	50 dBc
	Fo + 50 MHz	Typ. 30 dBc	38 dBc
	Fo - ( )MHz	Typ. dBc	dBc
	Fo + ( )MHz	Typ. dBc	dBc
Return Loss		Min. 12 dB	22 dB
Ripple		< 1 dB	dB
Impedance		In / Out : 50 Ω	In / Out : 50 Ω
(4)Torque for Tuning Screw		> 60gf • cm	

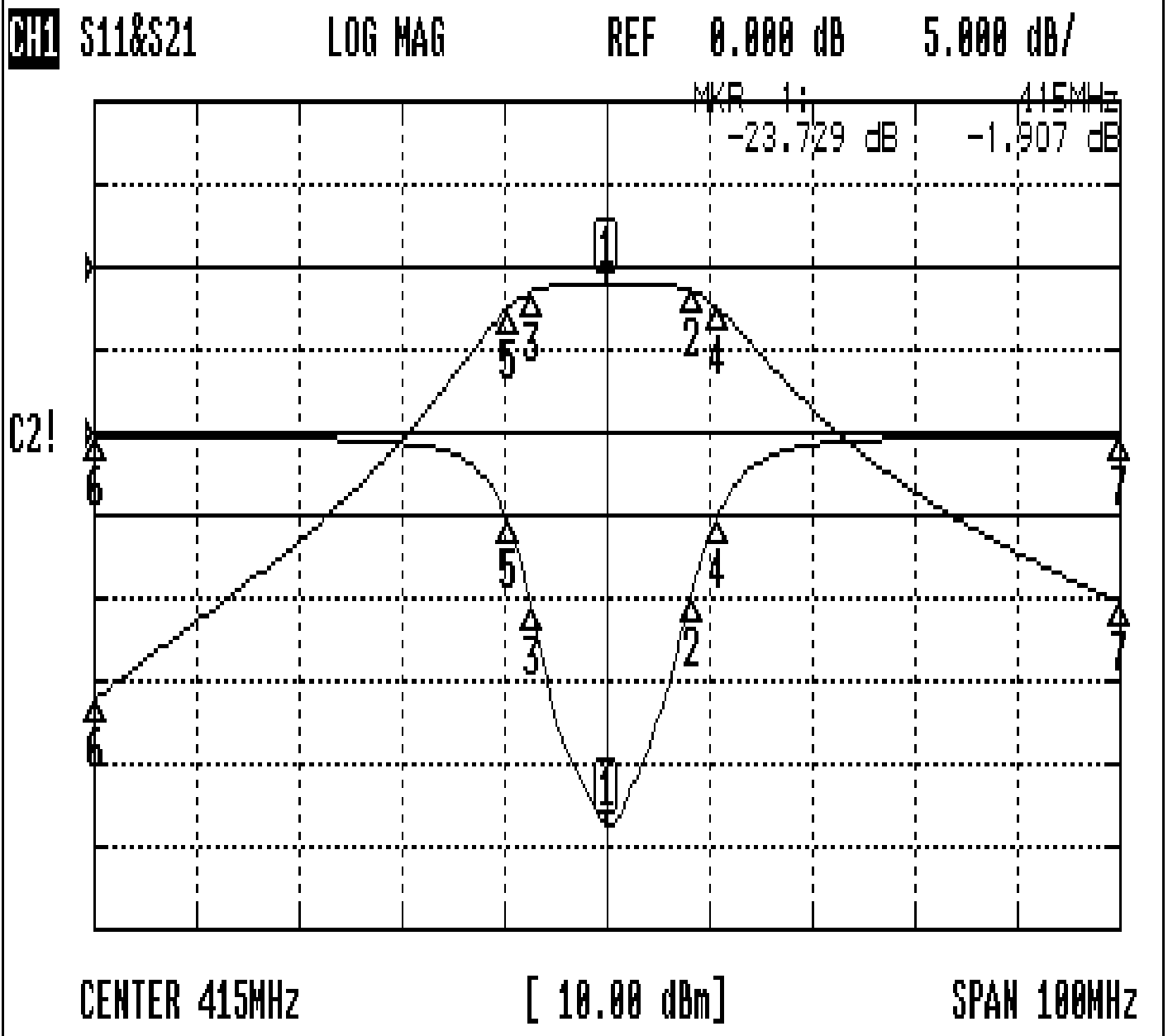
(5)Temperature Condition:	
Operating Temperature	0°C ~ +60°C
Storage Temperature	20°C ~ +70°C
(6)Input Power	> 1Watt



Approval	Supervisor	Designer	Aperture size
	C.S.Chang	Enlan	7H3(4*7.5)(7.4)F
TEMWELL CORPORATION			

# Performance- K3BT-415M-16M

20402072DC



## CH1 MARKER LIST

1:	415.000MHz	-23.729 dB	-1.907 dB
2:	423.250MHz	-9.903 dB	-2.945 dB
3:	407.750MHz	-10.615 dB	-2.960 dB
4:	425.750MHz	-5.120 dB	-4.912 dB
5:	405.416MHz	-5.298 dB	-4.953 dB
6:	365.000MHz	-0.206 dB	-52.319 dB
7:	465.000MHz	-0.159 dB	-40.498 dB