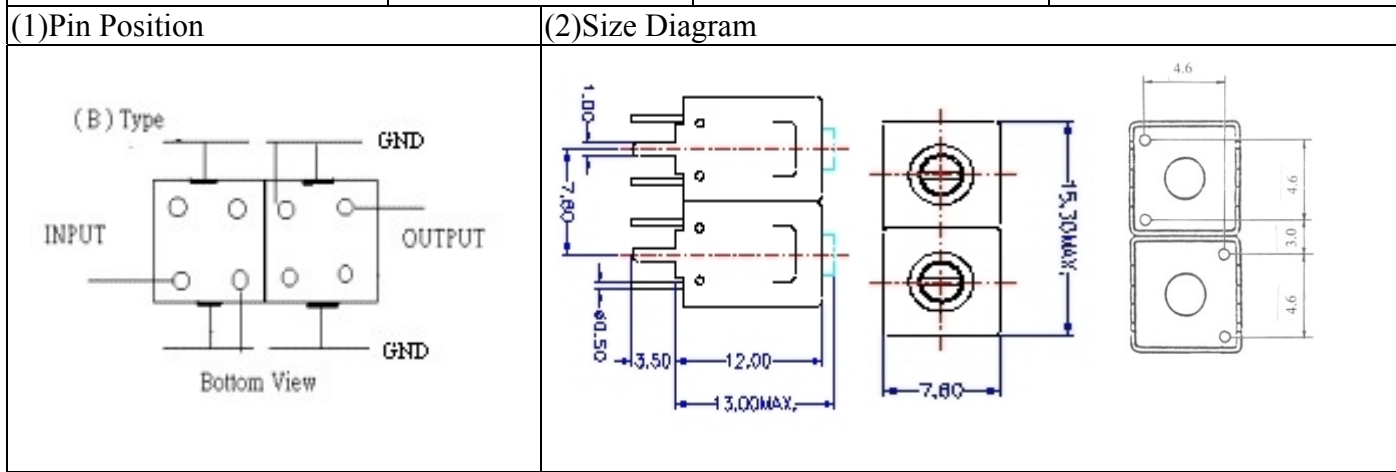


# VHF UHF Helical Filter Specification Sheet

Customer Name		Temwell's Part No.	TD67429B-77M
Approval No. /dated	20010023APR	Temwell's Print Name	76~85M
Work Instruction No.	20010023DC	Date	Jul.28.2006



(3) Electric Character

Item	Specify	Performance	
Center Freq.(Fo ) +/- 0.5 %	77 MHz	77 MHz	
Tunable Range	77±2 MHz	77±2 MHz	
Insertion Loss	Typ. 2.5 dB	1.34 dB	
-3 dB Bandwidth	Typ. 25 MHz	27 MHz	
Sensitivity (Attenuation)	Fo - 50 MHz	Typ. 15 dBc	16 dBc
	Fo + 50 MHz	Typ. 16 dBc	18 dBc
	Fo - ( )MHz	Typ. dBc	dBc
	Fo +( )MHz	Typ. dBc	dBc
Return Loss	Min. 12 dB	32.7 dB	
Ripple	< 1 dB	dB	
Impedance	In / Out : 50 Ω	In / Out : 50 Ω	

(4) Torque for Tuning Screw > 100gf · cm

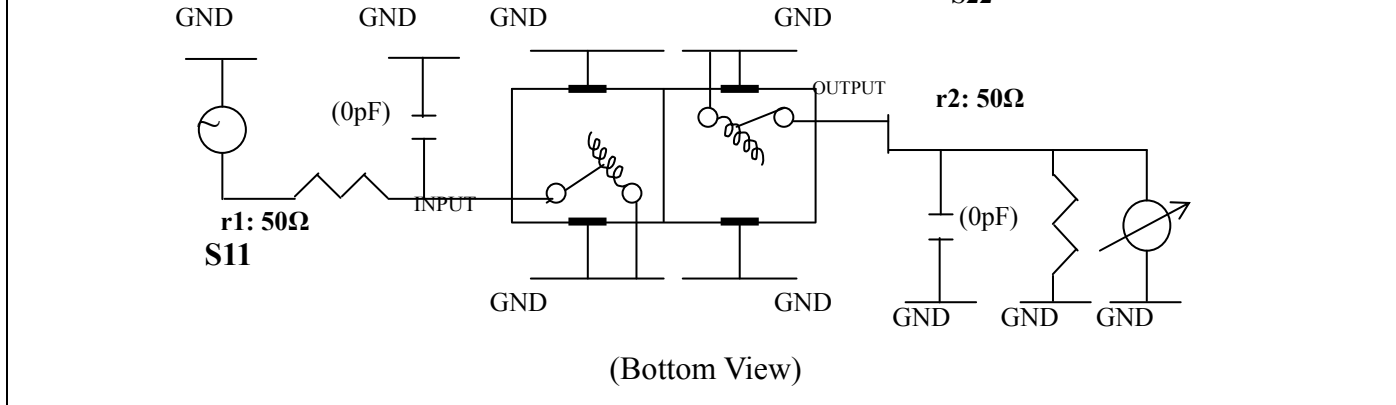
(5) Temperature Condition:

Operating Temperature	-0°C ~ +60°C
-----------------------	--------------

Storage Temperature	-20°C ~ +70°C
---------------------	---------------

(6) Input Power > 1Watt

(7) Measuring Circuit: ※Easy to match Impedance 50Ωby parallel with about ( 0 ) pF.



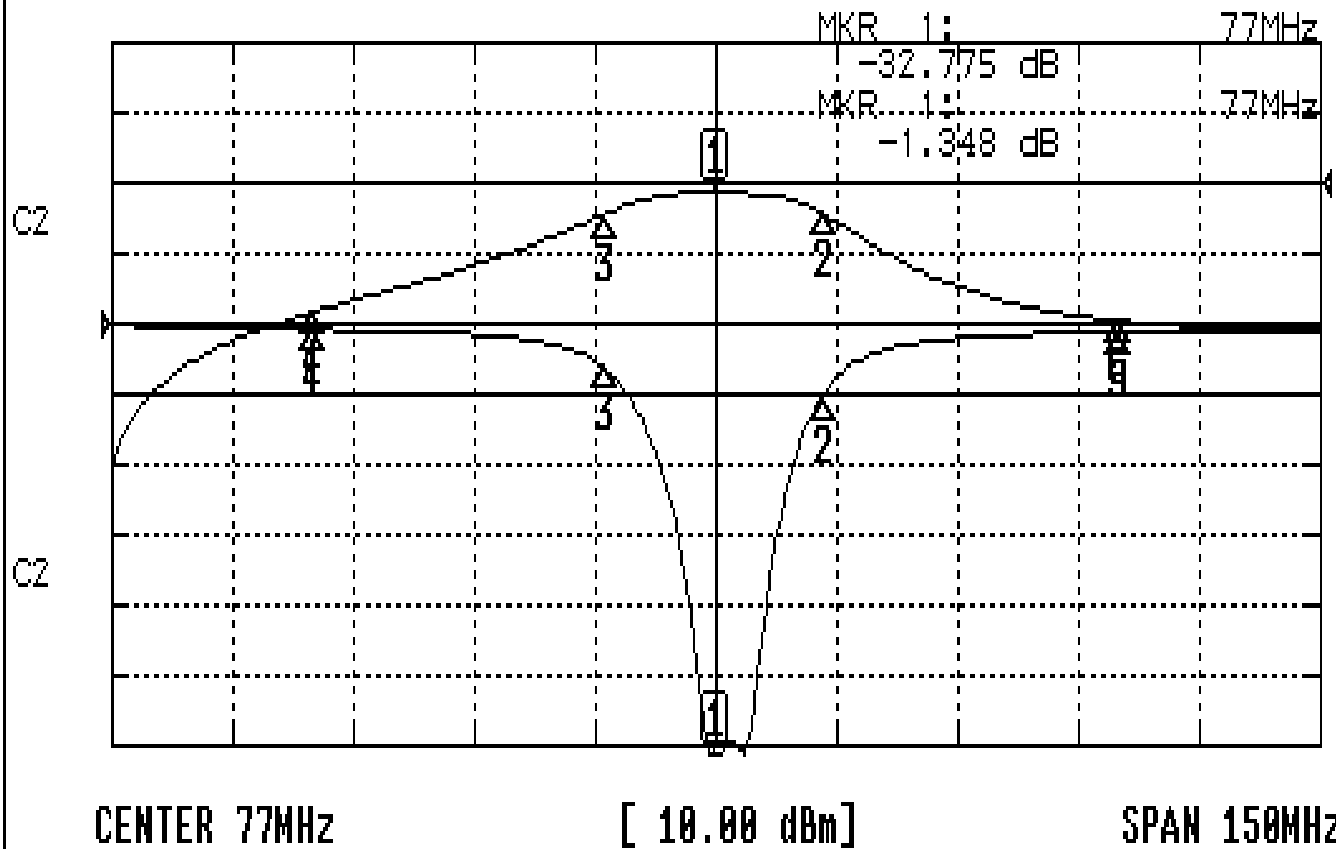
Approval	Supervisor	Designer	Aperture size
C.Y.Chang	C.S.Chang	W.W.Wang	7H2( 4*6.5)F 7H00LB6

TEMWELL CORPORATION

# Performance-TD67429B-77M

## 20010023DC

CH1 S11 LOG MAG REF 0.000 dB 5.000 dB/  
 CH2 S21 LOG MAG REF 0.000 dB 10.000 dB/



### CH1 MARKER LIST

1:	77.000MHz	-32.775 dB
2:	90.250MHz	-5.191 dB
3:	63.250MHz	-3.216 dB
4:	27.000MHz	-0.418 dB
5:	127.000MHz	-0.599 dB

### CH2 MARKER LIST

1:	77.000MHz	-1.348 dB
2:	90.250MHz	-4.630 dB
3:	63.250MHz	-4.630 dB
4:	27.000MHz	-18.298 dB
5:	127.000MHz	-19.572 dB