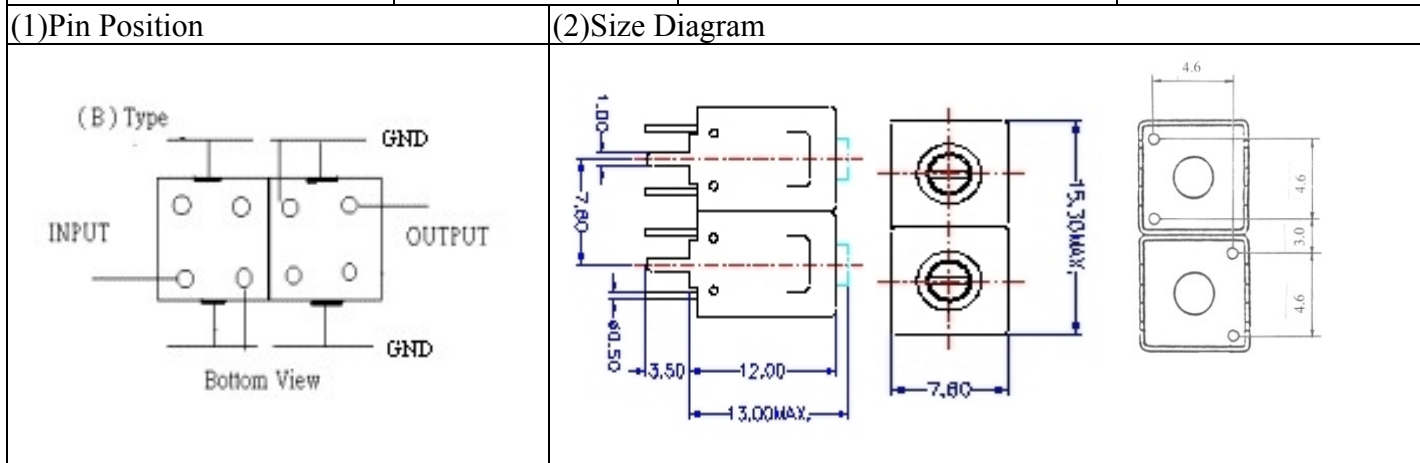


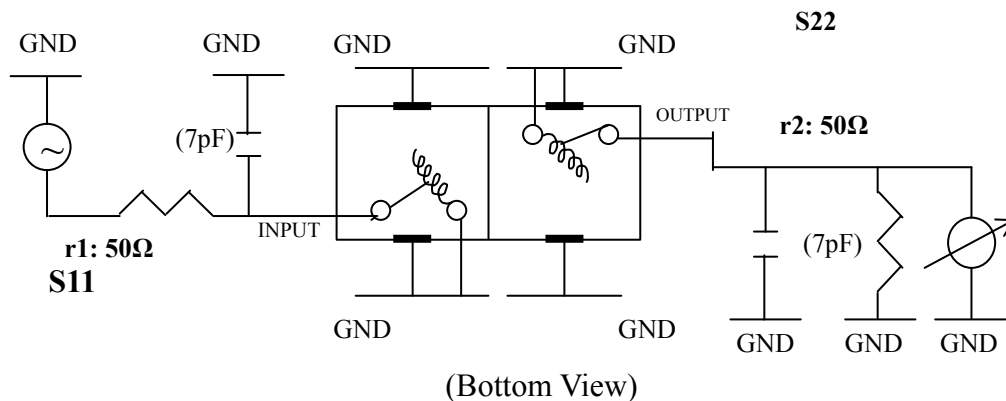
VHF UHF Helical Filter Specification Sheet

Customer Name		Temwell's Part No.	TD67686B-101M
Approval No. /dated	20507029APR	Acceptable Specify Fo. Range	96~107MHz
Work Instruction No.	20507029DC	Date	Jul.15.2005



(3) Electric Chararistic			
Item	Specify	Performance	
Center Freq.(Fo) +/- 0.5 %	101 MHz	101 MHz	
Tunable Range	101±2 MHz	101±2 MHz	
Insertion Loss	Typ. 3.5 dB	2.65 dB	
-3 dB Bandwidth	Typ. 9 MHz	10.4 MHz	
Sensitivity (Attenuation)	Fo - 20 MHz	Typ. 36 dBc	39 dBc
	Fo + 20 MHz	Typ. 35 dBc	38 dBc
	Fo - ()MHz	Typ. dBc	dBc
	Fo + ()MHz	Typ. dBc	dBc
Return Loss	Min. 12 dB	20.7 dB	
Ripple	< 1 dB	dB	
Impedance	In / Out : 50 Ω	In / Out : 50 Ω	
(4) Torque for Tuning Screw			
		> 100gf · cm	
(5) Temperature Condition:			
Operating Temperature	0°C ~ +60°C		
Storage Temperature	-20°C ~ +70°C		
(6) Input Power			
		> 1Watt	

(7) Measuring Circuit: ※Easy to match Impedance 50Ω/ by parallel with about (7) pF.

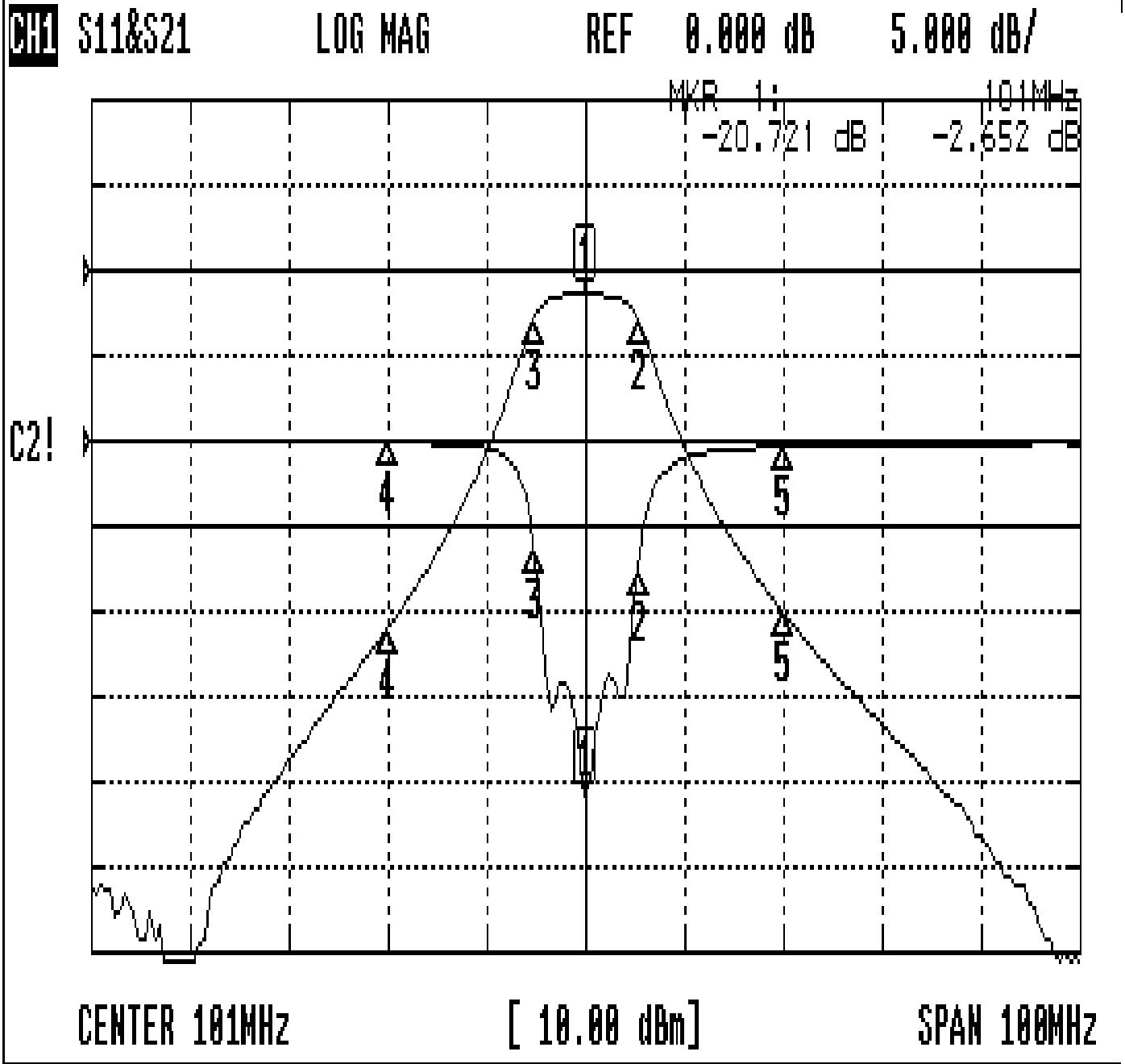


Approval	Supervisor	Designer	Aperture size
C.Y. Chang	C.S. Chang	Enlan	7H2(4*4.65)(4.70) 7H00LB6

TEMWELL CORPORATION

Performance-TD67686B-101M

20507029DC



CH1 MARKER LIST

1:	101.000MHz	-20.721 dB	-2.652 dB
2:	106.333MHz	-7.415 dB	-5.753 dB
3:	95.916MHz	-6.490 dB	-5.676 dB
4:	81.000MHz	-0.052 dB	-41.947 dB
5:	121.000MHz	-0.337 dB	-40.028 dB