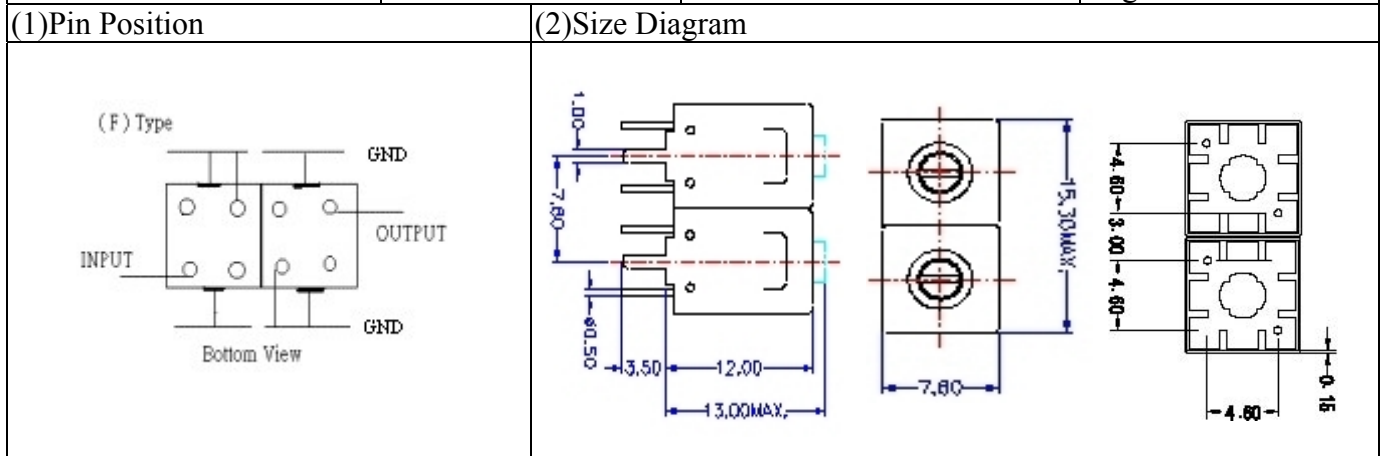


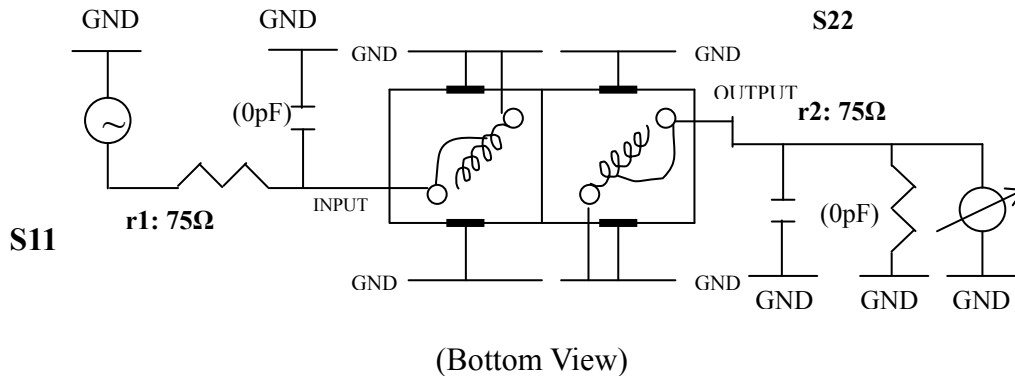
# VHF UHF Helical Filter Specification Sheet

|                      |            |                             |                  |
|----------------------|------------|-----------------------------|------------------|
| Customer Name        |            | Temwell's Part No.          | TDL62124F-220.5M |
| Approval No. /dated  | 0707317APR | Acceptable Specify Fo Range | 196~220 MHz      |
| Work Instruction No. | 0707317DC  | Date                        | Aug.21.2007      |



| (3) Electric Characteristic  |             |                  |                 |
|------------------------------|-------------|------------------|-----------------|
| Item                         |             | Specify          | Performance     |
| Center Freq.(Fo) +/- 0.75 %  |             | 220.5 MHz        | 220.5 MHz       |
| Tunable Range                |             | Typ. 220.5±4 MHz | 220.5±4 MHz     |
| Insertion Loss               |             | Typ. 2.5 dB      | 1.43 dB         |
| -3 dB Bandwidth              |             | Typ. 10 MHz      | 11.9 MHz        |
| Sensitivity<br>(Attenuation) | Fo - 30 MHz | Typ. 26 dB       | 29 dB           |
|                              | Fo + 30 MHz | Typ. 25 dB       | 28 dB           |
|                              | Fo - ( )MHz | Typ. dB          | dB              |
|                              | Fo + ( )MHz | Typ. dB          | dB              |
| Return Loss                  |             | Min. 12 dB       | 22.9 dB         |
| Ripple                       |             | < 1 dB           | dB              |
| Impedance                    |             | In / Out : 75 Ω  | In / Out : 75 Ω |
| (4) Torque for Tuning Screw  |             | > 100gf · cm     |                 |
| (5) Temperature Condition:   |             |                  |                 |
| Operating Temperature        |             | 30°C ~ +70°C     |                 |
| Storage Temperature          |             | -30°C ~ +80°C    |                 |
| (6) Input Power              |             | > 1 Watt         |                 |

(7) Measuring Circuit: ※ Easy to match Impedance 75Ω by parallel with about ( 0 ) pF.

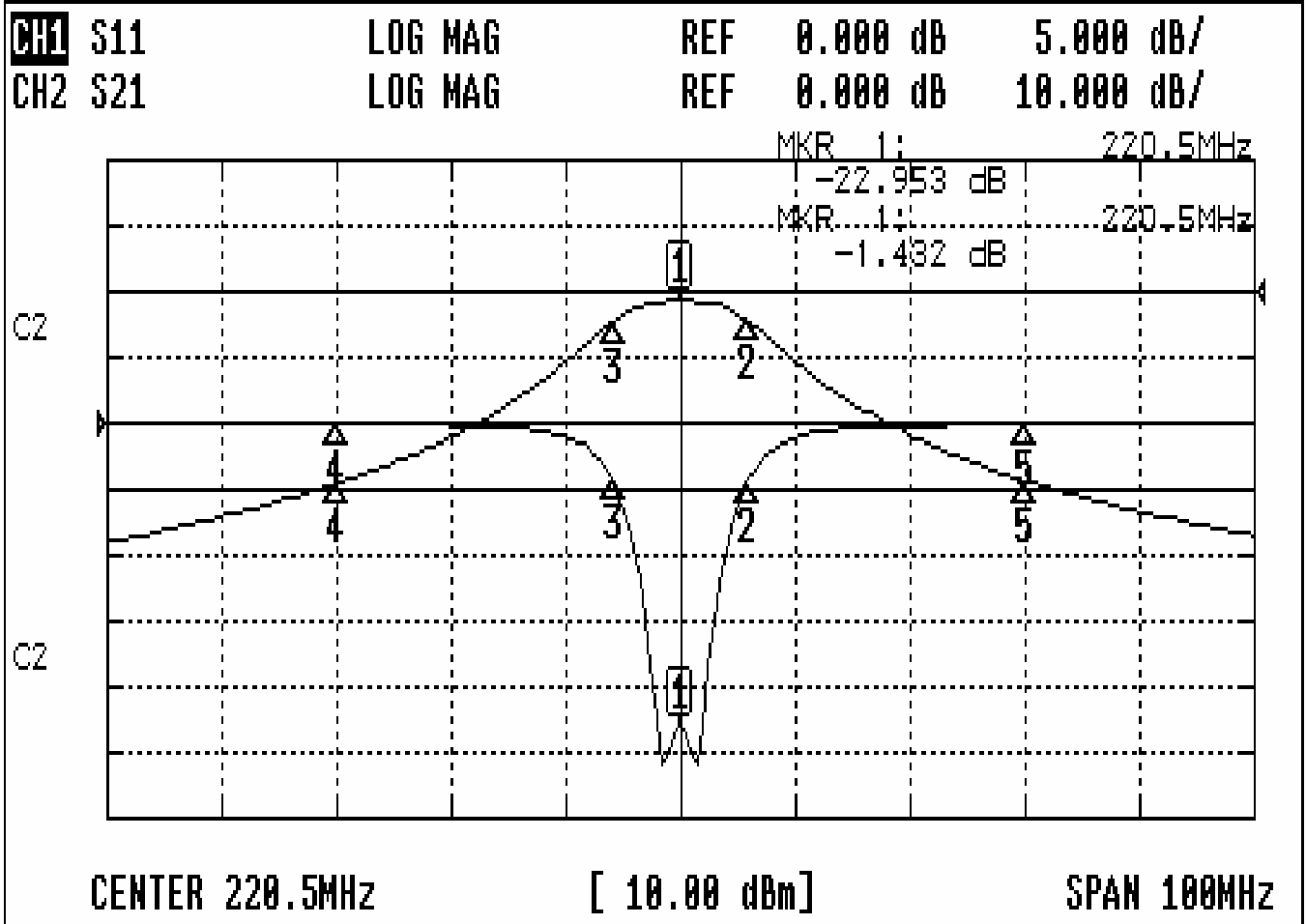


|           |            |            |                              |
|-----------|------------|------------|------------------------------|
| Approval  | Supervisor | Designer   | Aperture size                |
| C.Y.Chang | C.S.Chang  | P.H.Chiang | 7H2(4*6.5)(6.58)<br>7H024LB4 |

TEMWELL CORPORATION

# Performance-TDL62124F-220.5M

## 0707317DC



### CH1 MARKER LIST

|    |            |         |    |
|----|------------|---------|----|
| 1: | 220.500MHz | -22.953 | dB |
| 2: | 226.416MHz | -4.358  | dB |
| 3: | 214.583MHz | -4.224  | dB |
| 4: | 190.500MHz | -0.071  | dB |
| 5: | 250.500MHz | -0.084  | dB |

### CH2 MARKER LIST

|    |            |         |    |
|----|------------|---------|----|
| 1: | 220.500MHz | -1.432  | dB |
| 2: | 226.416MHz | -4.409  | dB |
| 3: | 214.583MHz | -4.430  | dB |
| 4: | 190.500MHz | -29.007 | dB |
| 5: | 250.500MHz | -28.529 | dB |