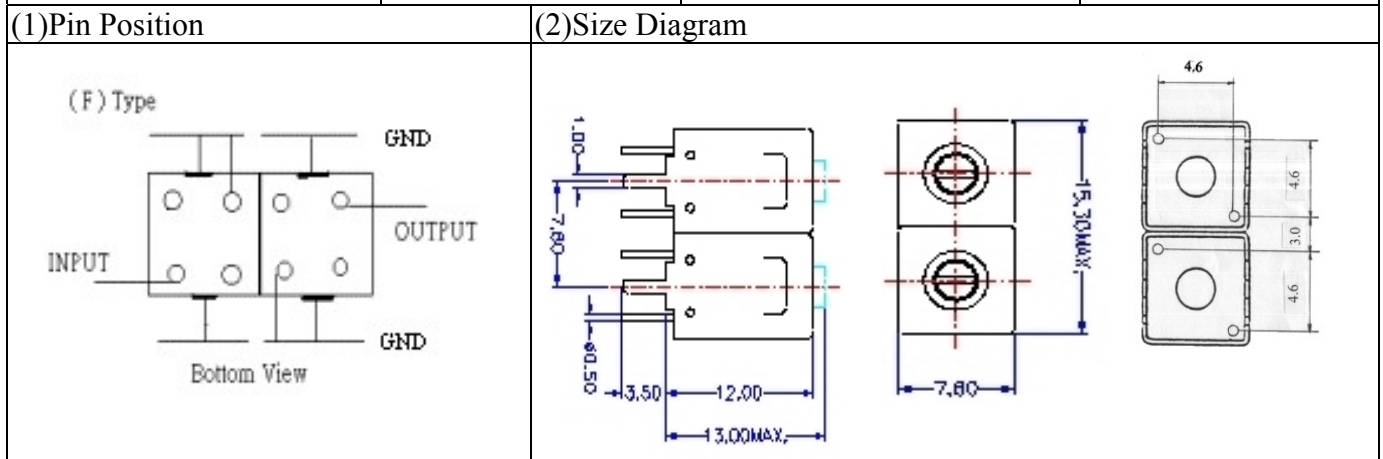
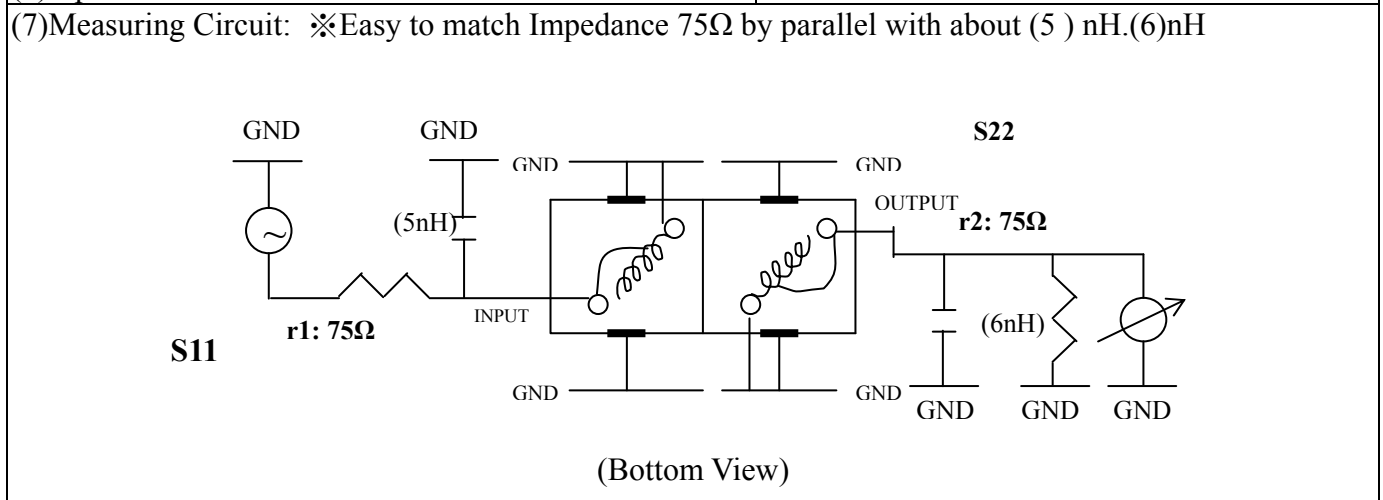


# HF UHF Helical Filter Specification Sheet

Customer Name		Temwell's Part No.	TDL6214F-477.25M
Approval No. /dated	0612054APR	Acceptable Specify Fo Range	456~515 MHZ
Work Instruction No.	0612054DC	Date	Dec.29.2006



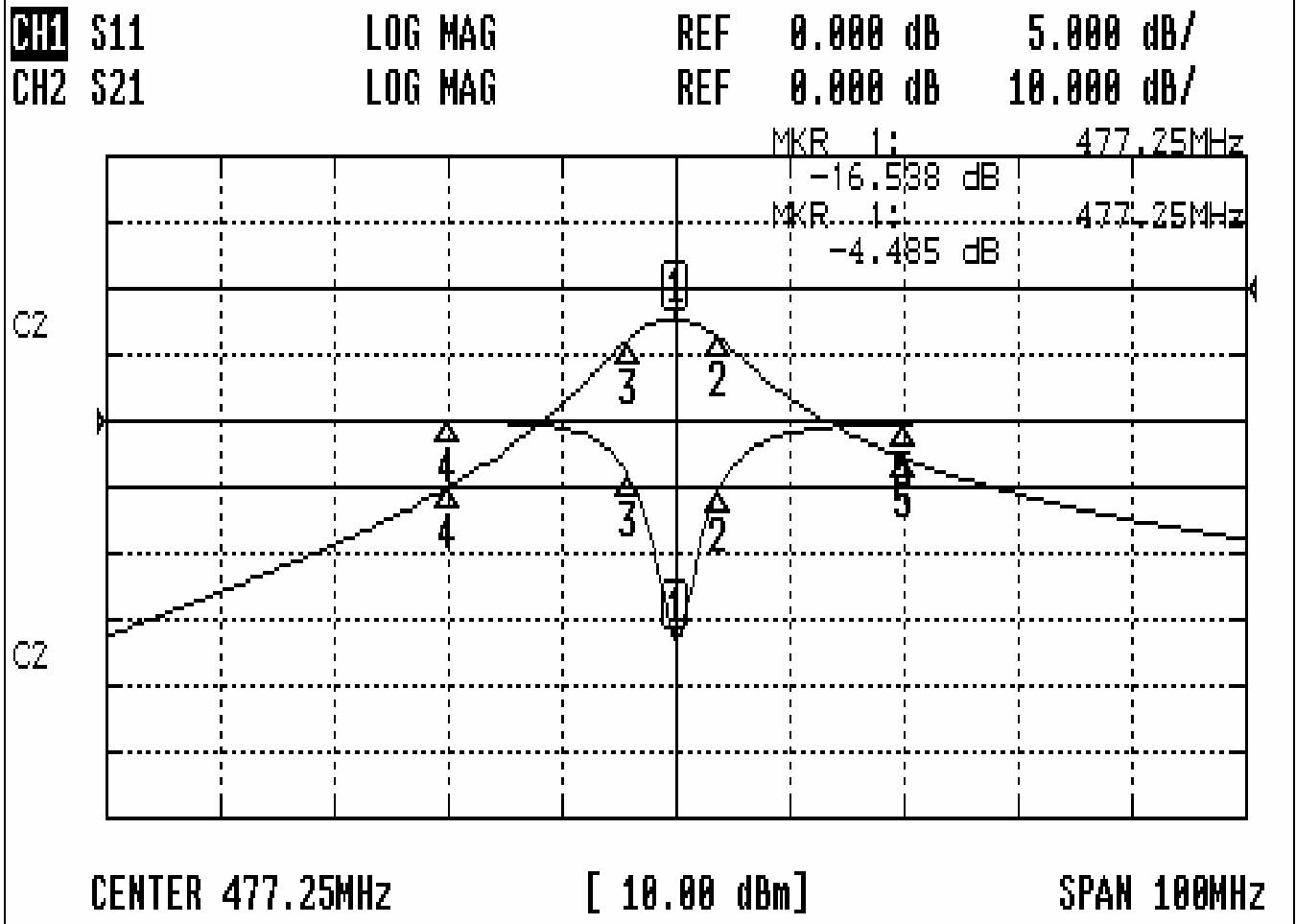
(3) Electric Characteristic			
Item	Specify	Performance	
Center Freq.(Fo) +/- 0.5 %	477.25 MHz	477.25 MHz	
Tunable Range	477.25±5 MHz	477.25±5 MHz	
Insertion Loss	Typ. 6.0 dB	4.48 dB	
-3 dB Bandwidth	Typ. 6 MHz	7.9 MHz	
Sensitivity (Attenuation)	Fo - 20 MHz	Typ. 22 dB	25 dB
	Fo + 20 MHz	Typ. 18 dB	21 dB
	Fo - ( )MHz	Typ. dB	dB
	Fo + ( )MHz	Typ. dB	dB
Return Loss	Min. 12 dB	16.5 dB	
Ripple	< 1 dB	dB	
Impedance	In / Out : 75 Ω	In / Out : 75 Ω	
(4) Torque for Tuning Screw			
> 100gf • cm			
(5) Temperature Condition:			
Operating Temperature	0°C ~ +60°C		
Storage Temperature	-20°C ~ +80°C		
(6) Input Power	> 1Watt		



Approval	Supervisor	Designer	Aperture size
C.Y.Chang	C.S.Chang	W.W.Wang	7H2(4*4.65)F 7H046LB4 聚 3
TEMWELL CORPORATION			

# Performance-TDL6214F-477.25M

## 0612054DC



### CH1 MARKER LIST

1:	477.250MHz	-16.567 dB
2:	481.000MHz	-5.284 dB
3:	473.166MHz	-4.156 dB
4:	457.250MHz	-0.013 dB
5:	497.250MHz	-0.165 dB

### CH2 MARKER LIST

1:	477.250MHz	-4.485 dB
2:	481.000MHz	-7.432 dB
3:	473.166MHz	-7.494 dB
4:	457.250MHz	-29.930 dB
5:	497.250MHz	-25.551 dB