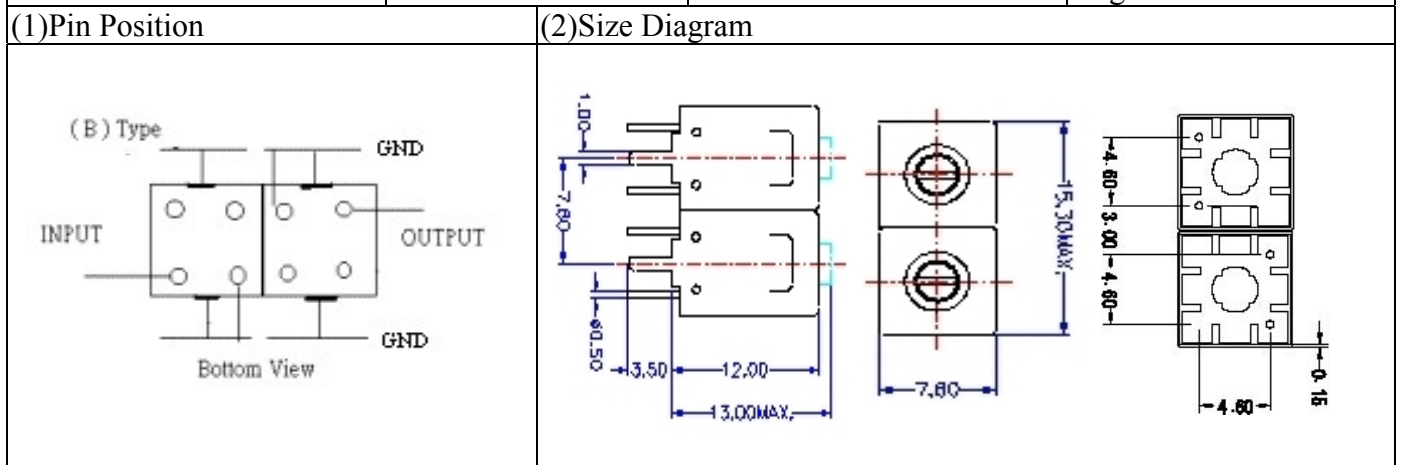


VHF UHF Helical Filter Specification Sheet

Customer Name		Temwell's Part No.	TDL6293B-601.25M
Approval No. /dated	0704052APR	Acceptable Fo Specify Range	596-640 MHz
Work Instruction No.	0704052DB	Date	Aug.25.2007



(3) Electric Character

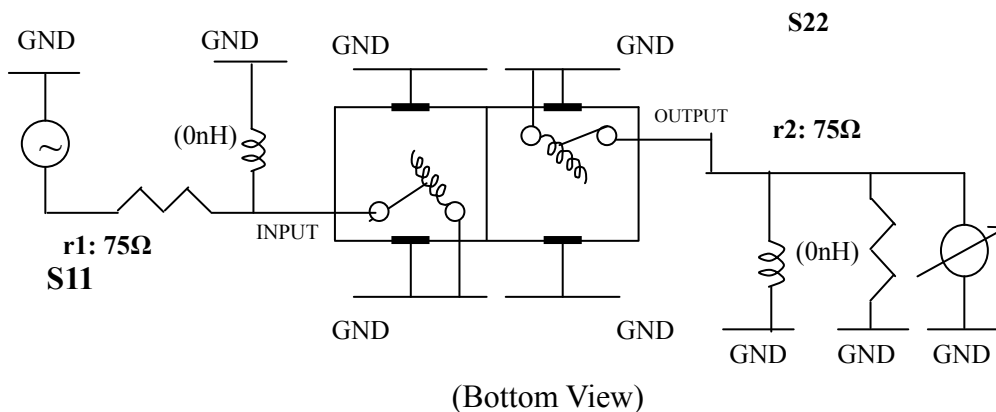
Item	Specify	Performance	
Center Freq.(Fo) +/- 0.5 %	601.25 MHz	601.25 MHz	
Tunable Range:	601.25±5 MHz	601.25±5 MHz	
Insertion Loss	Typ. 3.0 dB	2.31 dB	
-3 dB Bandwidth	Typ. 10 MHz	13.6 MHz	
Sensitivity (Attenuation)	Fo - 50 MHz	Typ. 39 dBc	42 dBc
	Fo + 50 MHz	Typ. 25 dBc	28 dBc
	Fo - ()MHz	Typ. dBc	dBc
	Fo +()MHz	Typ. dBc	dBc
Return Loss	Min. 12 dB	30.0 dB	
Ripple	< 1 dB	dB	
Impedance	In / Out : 75 Ω	In / Out : 75 Ω	
(4) Torque for Tuning Screw	> 100gf · cm		

(5) Temperature Condition:

Operating Temperature	0°C ~ +60°C
Storage Temperature	-20°C ~ +70°C

(6) Input Power > 1Watt

(7) Measuring Circuit: ※Easy to match Impedance 75Ω by parallel with about (0) nH.



Approval	Supervisor	Designer	Aperture size
C.Y.Chang	C.S.Chang	C.S.Chang	7H2S(4*6.5) 7H046RB4

TEMWELL CORPORATION

TEMWELL

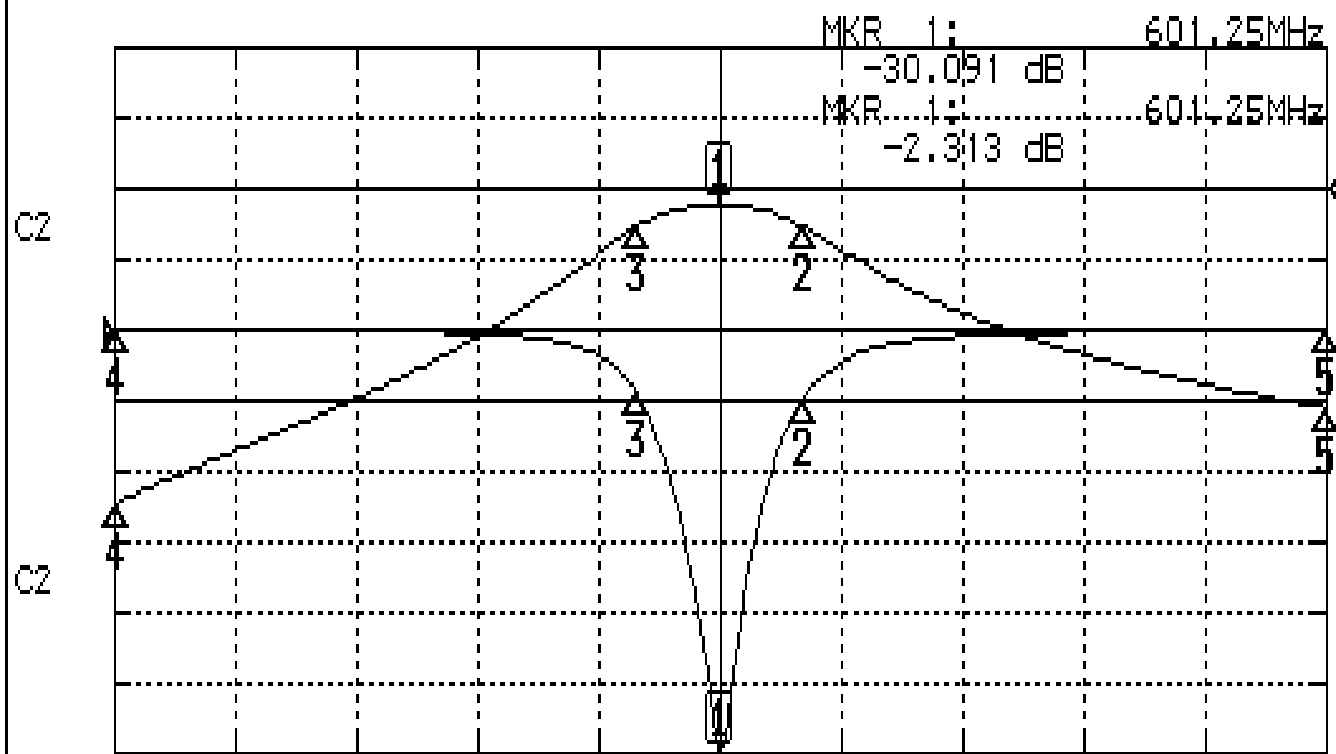
Form10-7H2B Vision D

RP:C.S.Chang

Performance-TDL6293B-601.25M

0704052DB

CH1 S11 LOG MAG REF 0.000 dB 5.000 dB/
CH2 S21 LOG MAG REF 0.000 dB 10.000 dB/



CENTER 601.25MHz

[10.00 dBm]

SPAN 100MHz

CH1 MARKER LIST

1	601.250MHz	-30.091	dB
2	608.000MHz	-5.079	dB
3	594.416MHz	-4.491	dB
4	551.250MHz	0.021	dB
5	651.250MHz	0.003	dB

CH2 MARKER LIST

1	601.250MHz	-2.313	dB
2	608.000MHz	5.263	dB
3	594.416MHz	5.282	dB
4	551.250MHz	-44.350	dB
5	651.250MHz	-30.954	dB